

# DHI-ARD1731-W2(868)

## Wireless PIR-Camera



### System Overview

With its built-in 2 MP CMOS image sensor, PIR-Camera captures high-definition snapshots when it detects intrusions, transmitting them to the alarm hub, where they are then sent to the mobile app or alarm center (CMS/ARC) for you to perform visual alarm verification. The camera harnesses 2.4G RF-HD transmission technology to improve the resolution of images and the speed they are transmitted at. Built to keep you safe, the camera actively protects your privacy by only taking snapshots when an intrusion occurs.

### Scene

Wireless PIR-Camera is ideal for use in villas, apartments and office buildings.

### Technical Specification

#### Video

Field of View	88° (H);68° (V)
Image Type	JPEG
Resolution	1600 × 1200; 1280 × 960; 640 × 480; 320 × 240
Frame Rate	2
Illumination Mode	Infrared Light
Illumination Range	12 m (39.37 ft)
Day/Night Switch	Color/Black & White

#### Function

Indicator Light	1 × green alarm indicator
Button	1 × power switch
Remote Update	Cloud update
Low Battery Detection	Yes
Battery Level Display	Yes

- Maximum resolution 1600\*1200.
- Based on the RF-HD image transmission technology, transmission of 6 HD images with resolution of 1600\*1200 needs up to 10 seconds.
- One-week cloud cache for videos and images.
- Temperature monitoring.
- Offers frequency hopping and two-way communication technology, ensuring the stability of communication.
- Cloud update and automatic recovery from update failure.
- Suitable for the ARC3000H series and ARC3800H series only, excluding the ARA43 series.

Tamper	Tamper alarm
Signal Strength	RF Signal test RF-HD signal test

#### Technical

Detection Mode	PIR
Sensitivity	3 levels adjustable
Detection Range	12 m (39.37 ft) (86°) with installation height of 2.2 m (7.22 ft)
Detection Speed	0.3 m/s–3 m/s (0.98 ft/s–9.84 ft/s)
Pet Immunity Level	≤18 kg (39.68 lb)
White Light Resistance Level	2000 lux
Two-way Digital Temperature Compensation	Yes
Scenario	Indoor
Operating Current	Max 2 A, 65 uA (Standby), battery 3 V

#### Wireless

Carrier Frequency	RF:868.0 MHz–868.6 MHz RF-HD:2.4GHz
Transmitter Power (EIRP)	Limit 25 mW
Communication Distance	RF:Up to 1,600 m (5,249.34 ft) in an open space RF-HD:Up to 300 m (984.25 ft) in an open space
Communication Mechanism	Two-way
Frequency Hopping	Yes
Encryption Mode	AES128

#### Wifi

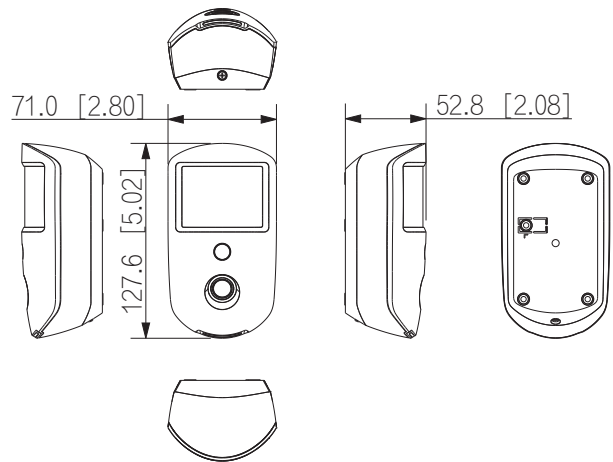
Wi-Fi Standard	802.11b/g/n
Wi-Fi Frequency Range	2400–2483.5 MHz Wi-Fi Power Transmission: CE EIRP: ≤20 dBm@2400–2483.5 MHz

FCC Output Power	≤30 dBm@2400–2483.5 MHz
------------------	-------------------------

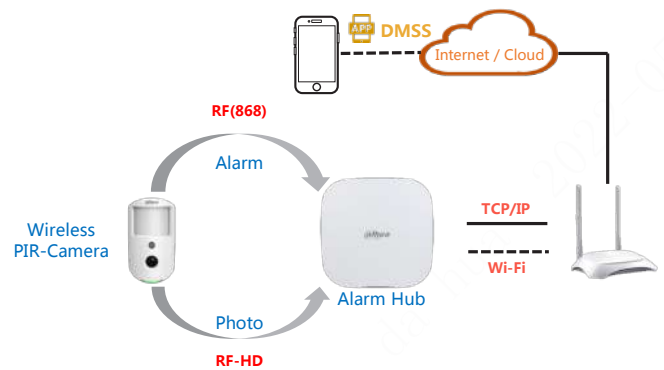
## General

Power Supply	CR123A*3
Battery Life	4 years (if triggered twice a week with a battery efficiency of 70%)
Operating Temperature	-10 °C to +55 °C (+14 °F to +131 °F) (indoor)
Operating Humidity	10%–90% (RH)
Product Dimensions	71.0 mm × 53.2 mm × 127.6 mm (2.80" × 2.09" × 5.02")
Packaging Dimensions	121.0 mm × 65.0 mm × 170.0 mm (4.76" × 2.56" × 6.69")
Net Weight	202 g (0.45 lb)
Gross Weight	333 g (0.73 lb)
Installation	Wall mount
Casing	PC + ABS
Certifications	CE EN 50131-1:2006 + A1:2009 + A2:2017 + A3:2020 EN 50131-2-2:2021 EN 50131-6:2017 EN 50131-5-3:2017 EN 50130-4:2011 + A1:2014(+) Security Grade 2 Environmental Class II

## Dimensions (mm[inch])



## Application



## Ordering Information

Type	Model	Description
Wireless PIR-Camera	DHI-ARD1731-W2(868)	Wireless PIR-Camera

## Installation

