

# DHI-ARA14-W2(868)

## Wireless Intercom Siren



- Two-way talk via RF transmission.
- High-decibel alarm sound.
- Multiple alarm sounds: Fire, medical, intrusion, panic, and more.
- Configurable arming/disarming prompt sound and LED indicator.
- Supports panic button.
- Offers voice talk through the app and SIP.
- Suitable for the ARC3800H series only, excluding the ARC3000H and ARA43 series.

### Series Overview

The Wireless Intercom Siren triggers sound and light alarms when it receives alarm signals. It also offers the intercom function, which can be enabled in the DMSS and DoLynk Care mobile app, making it easy for you to communicate with people on your site. The security center can also use the intercom to communicate with your site through the siren.

### Technical Specification

#### Port

Microphone	Yes
------------	-----

#### Video & Audio

Two-way Audio	Yes
---------------	-----

#### Function

Button	1 × panic button, 1 × power button
Buzzer	Yes
Remote Update	Cloud update
Low Battery Detection	Yes
Tamper	Yes

#### Technical

LED Indicator	Red, blue and green indicators
Scenario	Indoor
Operating Current	1.5 A (Max), 20 uA (Standby) (Battery 3V); 0.4 A (Max), 1.5mA (Standby) (DC 12V)
Sound and Light Alarm	Yes
Sound Pressure	Volume high 100db (A )1 m Volume minimum 77.6 db (A)1 m

### Wireless

Carrier Frequency	865.34 MHz–868.60 MHz
Transmitter Power (EIRP)	Limit 25 mW
Communication Mechanism	Two-way
Communication Distance	1600m (alarm transmission) , 1000m (intercom)
Encryption Mode	AES128
Frequency Hopping	Yes

### General

Power Supply	4 × CR123A battery/9-15 VDC
Battery Model	CR123A
Standby Time	3 years (when triggered once every 2 weeks and alarms for 120 sec).
Power Consumption	4.5 W (Max), 0.4 mW (Standby)
Operating Temperature	-10 °C to +55 °C (+14 °F to +131 °F) (indoor)
Operating Humidity	10%–90% (RH)
Product Dimensions	133.0 mm × 133.0 mm × 35.5 mm (5.24" × 5.24" × 1.40")
Net Weight	377 g (0.83 lb)
Gross Weight	507 g (1.12 lb)
Installation	Wall mount
Casing Material	PC + ABS
Appearance Color	White
Certifications	CE EN 50131-1:2006+A1:2009+A2:2017+A3:2020 EN 50131-4:2019 EN 50131-6:2017+A1:2021 EN 50131-5-3:2017 Security Grade 2 Environmental Class II

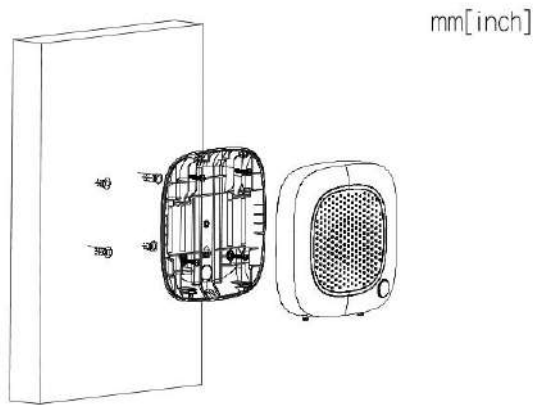
# Wireless Intercom Siren | DHI-ARA14-W2(868)

Anti-corrosion Level	Basic Protection
Storage Temperature	-10 °C to +55 °C (+14 °F to +131 °F)
Storage Humidity	10%–90% (RH)
Packaging Dimensions	170 mm × 166 mm × 55 mm (6.69" × 6.54" × 2.71")

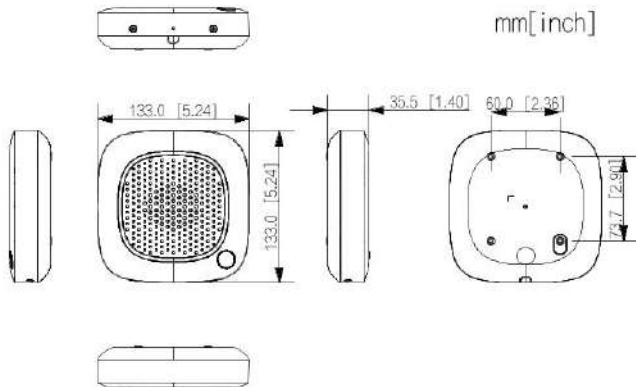
## Ordering Information

Type	Model	Description
Wireless Intercom Siren	DHI-ARA14-W2(868)	Wireless Intercom Siren

## Installation



## Dimensions (mm[inch])



## Application

