

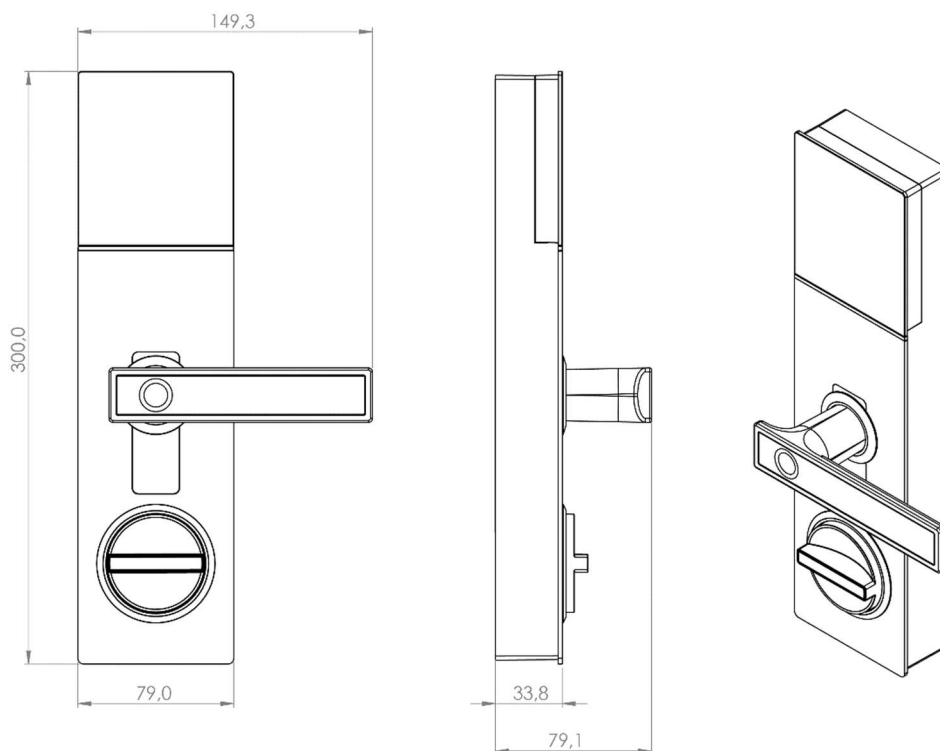
Data Sheet wLock

This document explains the main technical data of this product.

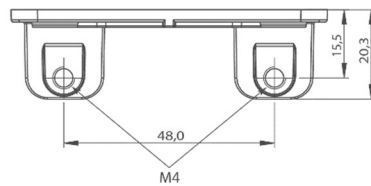
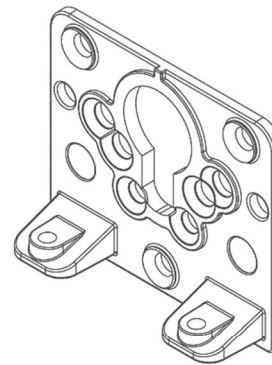
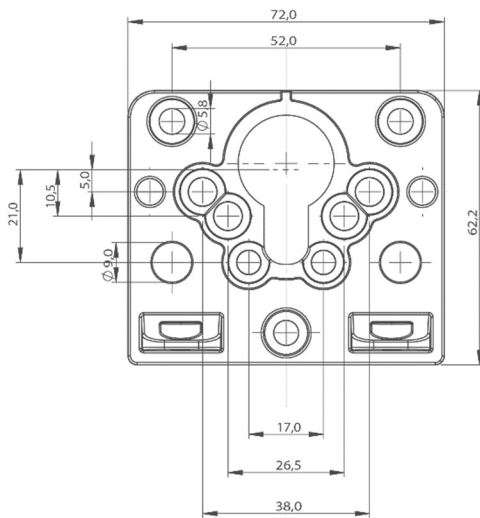
1. Architecture	2
2. Fixing Elements	3
3. Motor Data	4
4. Battery Data	6
5. Electronic Data	7
6. Watchman BLE Base	8

1. Architecture

- ✓ Weight: 1600 [gr]
- ✓ Maximum Height: 79,1 [mm]
- ✓ Maximum Length: 300 [mm]
- ✓ Maximum Amplitude: 149,3 [mm]
- ✓ General Material: ABS, PC, Zamak,



wLock



Installation part

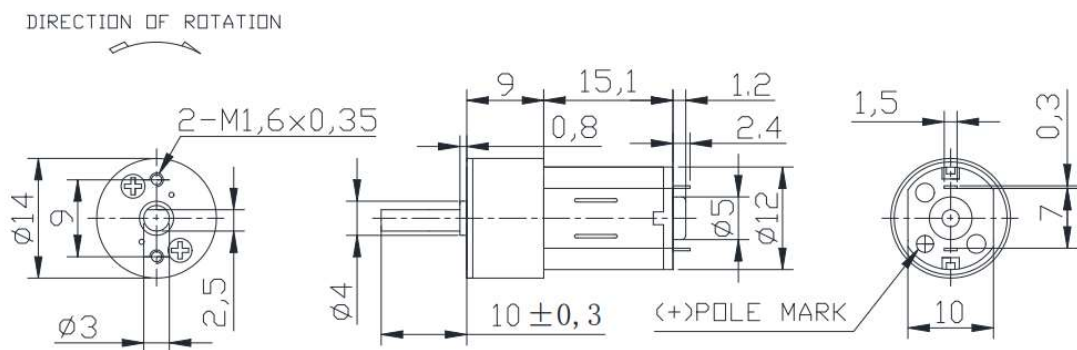
2. Fixing Elements:

- ✓ wLock: DIN 7505 [4,5x40] x 1
- ✓ Installation piece: M5 or M6 from existing escutcheon
DIN 7505 [4,5x10] x 3

3. Motor Data:

DC-1

- ✓ Weight: 9,4 [gr]
- ✓ Maximum Height: 14,0 [mm]
- ✓ Maximum Length: 36,5 [mm]
- ✓ Maximum Amplitude: 14,0 [mm]
- ✓ Operating Temp. Range: -10 / 60 [°C]
- ✓ Operating Voltage Range: 3,0 [V] | 6 [V]
- ✓ Peak Stall Torque: 1,7 [kg · cm] |

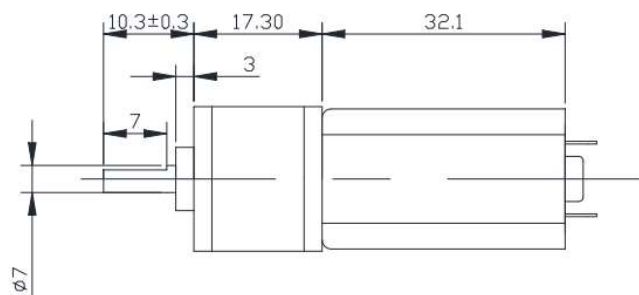
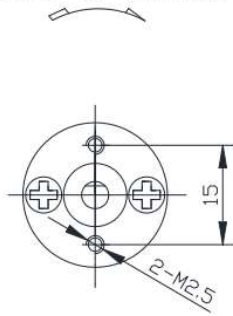


✓

DC-2

- ✓ Weight: 53,0 [gr]
- ✓ Maximum Height: 20,0 [mm]
- ✓ Maximum Length: 59,4 [mm]
- ✓ Maximum Amplitude: 20,0 [mm]
- ✓ Operating Temp. Range: -10 / 60 [°C]
- ✓ Operating Voltage Range: 3,0 [V] | 6 [V]
- ✓ Peak Stall Torque: 2,5 [kg · cm]

DIRECTION OF ROTATION



4. Battery Data:

- ✓ Type: AA
- ✓ Voltage: 1,5 [V]
- ✓ Type: Alkaline
- ✓ Temperature Range: -15 / 50 [°C]
- ✓ Quantity: 8 [uds]
- ✓ Load: 2500[Ma]

5. Watchman

- ✓ C: 12 [VDC] / 3 [A]

- ✓ Core Nrf52840:
 - ARM Cortex M4F

 - 1 [MB] Flash / 256 [KB] RAM

 - System Oscillator: 32 [MHz]

 - Bluetooth Low Energy (BLE 5.2) SoC:
 - Max Transmission Power: +8 [dBm]

 - Frequency Range: 2400 – 2483,5 [MHz]

 - Channel Bandwidth: 2 [MHz]

 - Num. Channels: 40

- ✓ Encoder for key position:
 - MA780GQ-Z

- ✓ Magnetometer for door state (opened, closed):
 - MMC34160PJ

- ✓ Led strip
- ✓ Security Sensors:
 - Vibration Sensor:
 - High Sensitivity
 - Live expectancy: 200000 cycles
- ✓ Buzzer:
 - Sound Level Minimum: 80 Db
 - Frequency: 2700 Hz
- ✓ Operating Temperature: -20 / 54 [°C]
- ✓ IP class: Not suitable for outdoor use