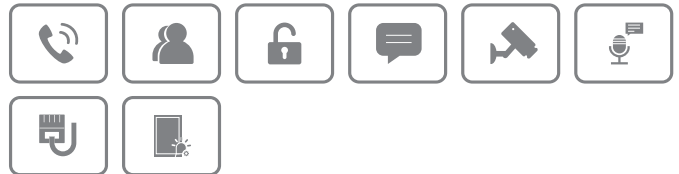


DHI-VTH8641KMS-WP

IP& Wi-Fi Indoor Monitor



- Elegant alluminum alloy design.
- Built-in Linux OS.
- 10" capacitive touch screen, 1024 × 600.
- Displays the camera's image when it receives a call from the door station.
- 6-channel wired alarm zone.
- Sends messages to the management center.
- Wi-Fi connection.
- Standard PoE.
- High-performance speaker and microphone that produces high-quality voice calls.
- H.265 and H.264 video decoding.
- Customizable Do Not Disturb mode.



Technical Specification

System

Main Processor	Embedded processor
Operating System	Embedded Linux operating system
Interoperability	ONVIF; SDK
Network Protocol	RTSP; RTP; SIP; DNS; SSH

Basic

Screen Type	Capacitive Touchscreen
Display	10" TFT
Screen Resolution	1024 × 600
Audio Compression	G.711a; G.711u; PCM
Audio Input	1
Audio Output	Built-in speaker
Audio Mode	2-way Audio
Audio Enhancement	Echo suppression
Audio Bit Rate	16 kHz; 16 Bit

Function

Communication Mode	Full digital
Information Release	Receive and view text information released by the management center
DND Mode	Do not disturb period can be set; Do not disturb mode
Number of Extensions	Villa: 9 Apartment: 4 Wi-Fi intercom: 1 main monitor, 2 extension monitors

Wi-Fi	Yes
Wireless Standard	IEEE802.11b/802.11g/802.11n
Wireless Frequency Range	2.4 GHz
Wireless Security Encryption	WPA/WPA2; WPA-PSK/WPA2-PSK
Storage	Micro SD card (up to 64 GB)

Performance

Casing	Metal
--------	-------

Port

RS-485	1
Alarm Input	6
Alarm Output	1
Door Bell	Yes (use any alarm input port)
Network	One 10/100 Mbps Ethernet

General

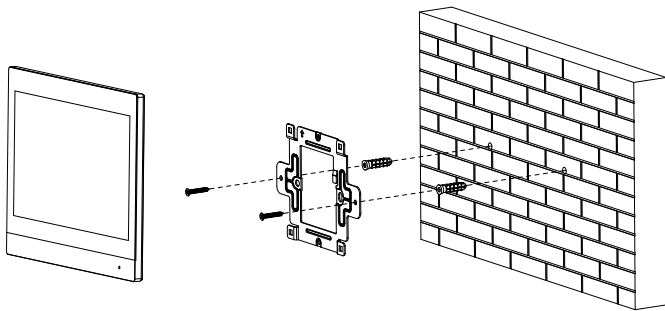
Appearance Color	Silver
Power Supply	12 VDC 1A Standard PoE (36–57 V, 0.35 A)
Installation	Surface Mount
Certifications	CE; FCC
Dimensions	250 mm × 190 mm × 23.5 mm (9.84" × 7.48" × 0.93")
Operating Temperature	−10 °C to +55 °C (+14 °F to 131 °F)
Operating Humidity	10%–95% RH (non-condensing)

Operating Altitude	Beneath 3,000 m (9,842.52 ft)
Power Consumption	Standby ≤ 3 W; working ≤ 7 W
Net Weight	0.67 kg (1.47 lb)
Gross Weight	0.85 kg (1.87 lb)

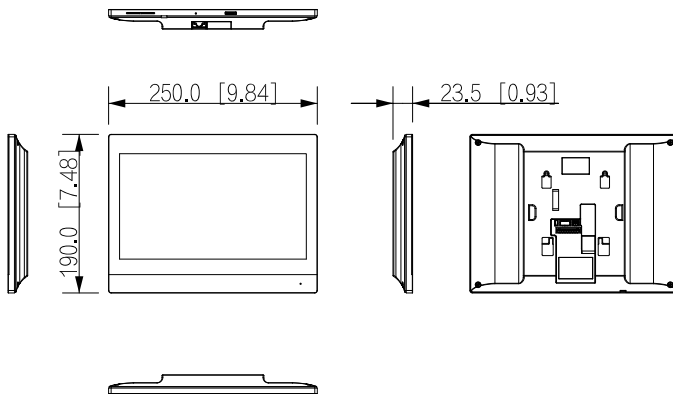
Ordering Information

Type	Model	Description
IP Indoor Monitor	DHI-VTH8641KMS-WP	IP& Wi-Fi Indoor Monitor

Installation



Dimensions (mm[inch])



Application

