

## Datasheet

### VIR-P5 - Floor-Mount Magnetic Door Holder

#### Product Description

The VIR range of door holders keep doors in the open position, and in the event of a fire alarm, immediately release the door to close.

The VIR-P5 are floor-mounted and operate at 24Vdc, which matches most fire alarm systems.

The 50kg holding force provided by the magnet is sufficient to hold even the heaviest of doors. Moreover, VIR-P5 is tested under the EN1634-2 fire rating for 60 minutes.

Each unit includes a manual release button to quickly and easily check the emergency operation of the fail safe magnet.



#### Key Features

- Floor-mount magnetic door holder
- Fire tested to 60 min under EN1634-2
- Automatically releases the door to close in the event of a fire alarm
- Architectural armature included
- Up to 50kg holding force
- Adjustable or fixed universal wall bracket available



Certification



Certification



DEEE



Certification



IP42



IK10



EN1634-2 (60 min)



100kg pre-load  
(FR regulation NFS 61-937)

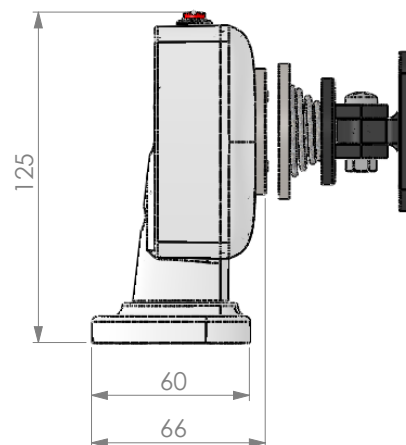
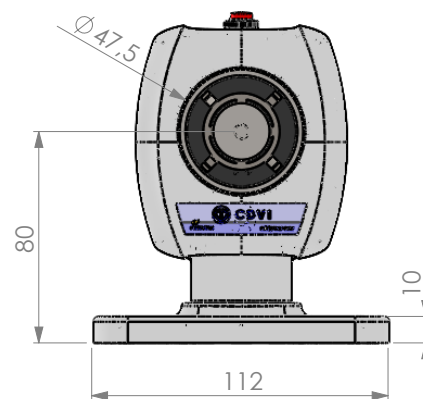


-25°C to 70°C

All the information contained within this document (pictures, drawings, features, dimensions, specifications), could be perceptibly different and can be changed without prior notice. Published: 08 January 2025. CDVI\_VIR\_DS\_02\_EN-FR\_A4\_C

## Product Specifications

<b>Material:</b>	Zamak®, steel
<b>Mounting:</b>	Floor mount
<b>Lock mode:</b>	Fail safe
<b>Holding force:</b>	50 kg
<b>Contacts:</b>	Manual override
<b>Cycle testing:</b>	50,000 cycles in manual or electrical activation
<b>Weight:</b>	0.66 kg
<b>Dimensions:</b>	
• Maglock:	125 x 112 x 60 mm
• Armature plate:	60 x 60 x 50.5 mm



## Electrical Specifications

<b>Power input:</b>	24Vdc
<b>Consumption:</b>	80mA

## Accessories



**CPART**

Articulated armature plate for fire rated door holders



**SUPVREG**

Adjustable wall bracket for VIR series, 15-30 cm



**SUPVR**

Fixed wall bracket for VIR series, 15 cm