

# Industrial 4-Port Gigabit PoE++ 1-Port Gigabit RJ-45 1-Port Gigabit SFP Unmanaged Ethernet Switch

Quick Installation Guide

## Packing List

Please check the following items after unpacking, if any missing, please contact your local dealer.

Items	Quantity
Switch	1 pc
Mounting Accessory	1 set
Quick Installation Guide	1 pc

## Product Overview

The product is Industrial 4-Port Gigabit PoE++ 1-Port Gigabit RJ-45 1-Port Gigabit SFP Unmanaged Ethernet Switch.

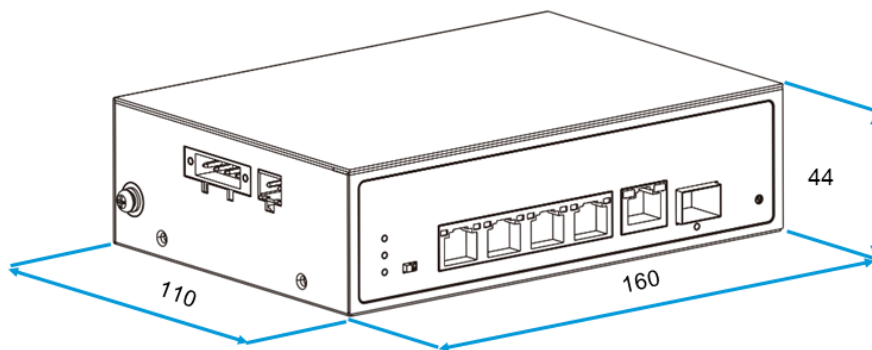
The switches provide 4\*10/100/1000Mbps Ethernet RJ-45 ports, 1\*10/100/1000Mbps Ethernet RJ-45 uplink port, 1\*1000Mbps SFP uplink port. It meets IEEE 802.3af/at/bt standard. Uplink RJ-45 port supports up to 90W PoE++ power input. All downlink RJ-45 ports support Power-over-Ethernet (PoE++), which can deliver up to 90W power per port.

The switches support the Q-PoE (Quick PoE) technology, which enables PoE power supply immediately upon switch startup without waiting for switch system software control.

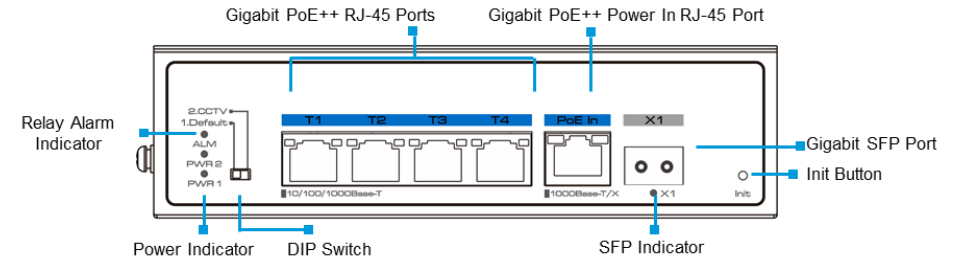
The switches support 2 working modes through DIP switch: Default and CCTV. Under CCTV mode, the transmission distance is extended up to 250m, but the rate is limited to 10Mbps. It can be widely used in video security monitoring systems, network projects, etc.

## Appearance and Dimensions

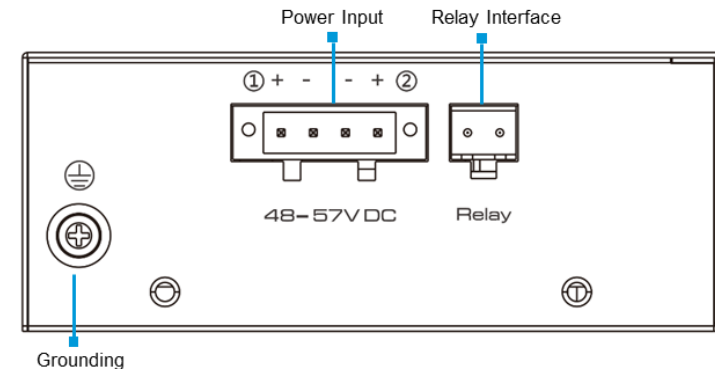
### Dimensions (mm)



## Front Panel



## Side Panel



## Indicator

Indicator		Color	Status	Description
PWR1/PWR2	Power Supply Indicator	Green	Solid On	Power supply is on.
			Off	Power supply is off.
ALM	Alarm Indicator	Red	Solid On	The device alarms.
			Off	The device is working normally.

## DIP Switch

The switch supports 2 working modes through DIP switch.

Mode	Description
Default	All ports are free to communicate, transmission distance: 0~100m.
CCTV	The transmission distance is extended up to 250m, but the rate is limited to 10Mbps.

## Init Button

By pressing the button over 5s, the switch will be restored to the original factory default setting.

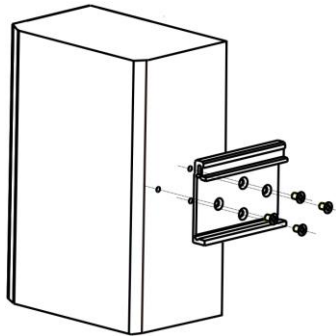
### Caution

- For better transmission performance, it is recommended to use Cat5 or better Ethernet cable to connect the switch and powered devices.
- For better protection performance, it is recommended to always make the ground connection first and disconnect it at the end when operating the device.
- Before operating or maintaining the switch, please read the user manual carefully to avoid equipment damage caused by misoperation.

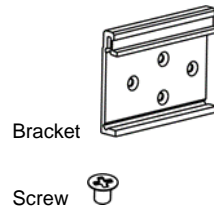
### Product Installation

- Before installation, power off the equipment. Installation when device is powered on is prohibited.
- The switch supports DIN-rail/Desktop/Wall mounted installation. Following with the DIN-rail installation steps:

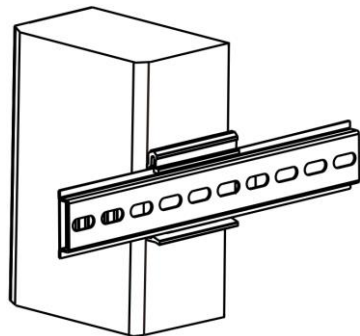
#### Step a: Fix the bracket to the backside of the device with screws.



#### Accessories



#### Step b: Install the device to the DIN rail.



- After the above steps are completed, connect the switch and other equipment using a high-performance Ethernet cable.
- Check the installation and the wiring. After confirming that the connection is correct and reliable, power on the switch.

The installation is completed.

### Specifications

Item	
Hardware Specifications	
Downlink Port	4*10/100/1000BASE-T PoE++ RJ-45(Auto-MDI/MDI-X)
Uplink Port	1*10/100/1000BASE-T RJ-45(Supports up to 90W PoE++ power input) 1*1000BASE-X SFP
Management Port	1*Relay
DIP Switch	CCTV mode: the transmission distance is extended up to 250m, but the rate is limited to 10Mbps. 2*PWR, power supply indicators
LED Indicators	1*SFP port state indicators 1*ALM, alarm indicator
Dimensions (W*D*H)	160mm*110mm*44mm
Net Weight	0.59kg
Input Voltage	PoE: IEEE 802.3af/at/bt standard, 90W max. Power 1 (Main): 48-57V DC, Power 2 (Backup): 48-57V DC
Power Consumption	≤130W (Full load including PoE)
Material	Metal shell
Installation	DIN-rail/Desktop/Wall mounted
Switch Property	
Standards	IEEE 802.3, IEEE 802.3u, IEEE 802.3ab, IEEE 802.3z, IEEE 802.3x, IEEE 802.1D, IEEE 802.3af, IEEE 802.3at, IEEE 802.3bt
Forwarding Modes	Store and forward
MAC Table	2k, support auto learning
Switching Capacity	12Gbps/non-blocking
Packet Forwarding Rate	8.928Mpps
Port Buffer	1MB
Jumbo Frame	9716 Bytes
Power Supply	
PoE Standard	IEEE 802.3af/at/bt
PoE Power Supply Type	End-span
PoE Pin Assignment	3/6/4/5(+), 1/2/7/8(-)
PoE Budget	90W max for each port, 75W max for whole switch (PoE++ input), 120W max for whole switch (DC input)
Alarm Signal Output by Relay	
Alarm Signal Output by Relay	Support relay alarm for power off
Reliability	
ESD	IEC61000-4-2, Level 3: Contact Discharge: ±6kV, Air Discharge: ±8kV
Surge	IEC61000-4-5, line to earth: 6kV
Operating	-20°C~65°C, 5%~95% (Non-condensation)
Storage	-40°C~85°C, 5%~95% (Non-condensation)
Certifications	
Certifications	CE, FCC

Version: V1.1, updated 2023-09-05.

The information in this document is subject to change without notice.

Every effort has been made in the preparation of this document to ensure accuracy of the contents, but all statements, information, and recommendations in this document do not constitute a warranty of any kind, express or implied.