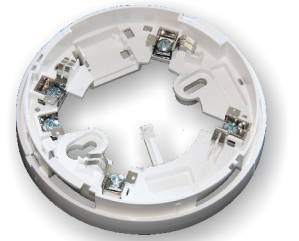


SensoMAG B24 Standard Base

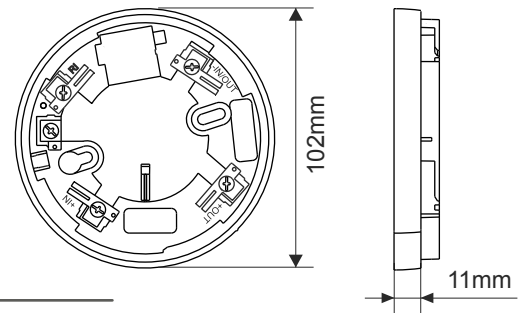
Description

SensoMAG B24 is a standard base for conventional detectors SensoMAG series: F10, F10B, R20, S30 and M40. The base is with low profile design and reliable contact system. It is possible to lock the detector to the base for extra security.

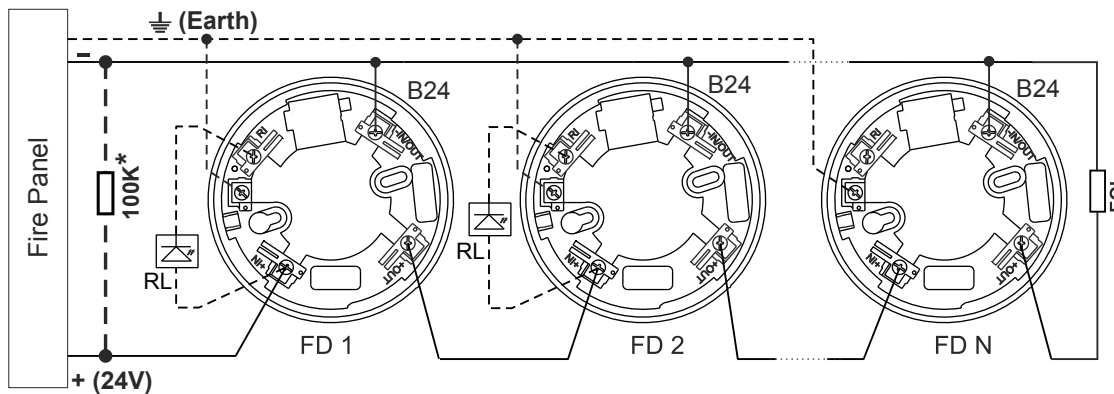


Technical and Environmental Specifications

Wire Gauge for terminals 3.0mm²
 Operating temperature -10°C to +60°C
 Relative humidity resistance (93 ± 3)% @ 40°C
 Weight ~42g
 Dimensions 102x11mm
 Material (plastic), color ABS, white



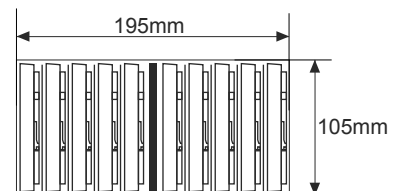
Connection Diagram



***ATTENTION: When the EOL-module is only a capacitor, IT IS OBLIGATORY TO CONNECT a 100K resistor in parallel at the beginning of the line!**

Packing Information

• **Master box** - 10 units SensoMAG B24, dimensions 195 x 105 x 105 mm. Additional separators are included in the master box for higher security during transportation.



Compatible Product Range

• **F10, F10B, R20, S30, M40** - SensoMAG conventional detectors

Contact Information: