

SensoIRIS MOUT Output Module

EN54-18/17

Description

SensoIRIS MOUT is an addressable module with potential output for connecting of conventional sounders. The module is designed for application in addressable fire alarm systems supporting TTE communication protocol. SensoIRIS MOUT has a built-in isolator module. The module monitors and transfers to control panel the status of the output - short circuit, interruption or missing of power supply in the circuit.

SensoIRIS MOUT is powered on from the fire panel and can be controlled via the communication protocol.

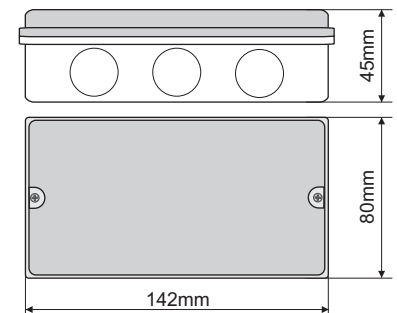
The module is mounted in a separate small plastic box suitable for wall mounting.



CE 20
1293
DoP No: 026

Technical and Environmental Specifications

Operating Voltage Range	16 - 32VDC
Permissible voltage ripple	3.0Vpp@27VDC
Output electrical characteristics (max.)	DC 28V/ 0.75A; AC 120V/ 0.5A
Max. current consumption in STAND-BY mode	270µA@27VDC
Current consumption with 1 LED ON	3.6mA
Wire Gauge for terminals	0.4mm ² - 2.5mm ²
Operating temperature	-10°C to +60°C
Relative humidity resistance	(93 ± 3)% @ 40°C
Protection	IP21
Weight	~230g
Material (plastic), color	ABS, White
Dimensions	142 x 80 x 45mm



Packing Information

- **Single packing** - 1 unit SensoIRIS MOUT, dimensions 145 x 84 x 50 mm.
- **Carton packing box** - 48 units SensoIRIS MOUT, dimensions 510 x 320 x 200 mm.

Compatible Product Range

- **IRIS/IRIS PRO** - Addressable Fire Panel, plastic/metal box, 4 loops, 96 zones
- **IRIS8** - Addressable Fire Panel, metal box, 8 loops, 200 zones
- **SIMPO** - Addressable Fire Panel, metal box 2 loops, 48 zones
- **SensoIRIS Programmer** - Address Programming Tool
- **Conventional Sounders** - Conventional fire alarm sounders

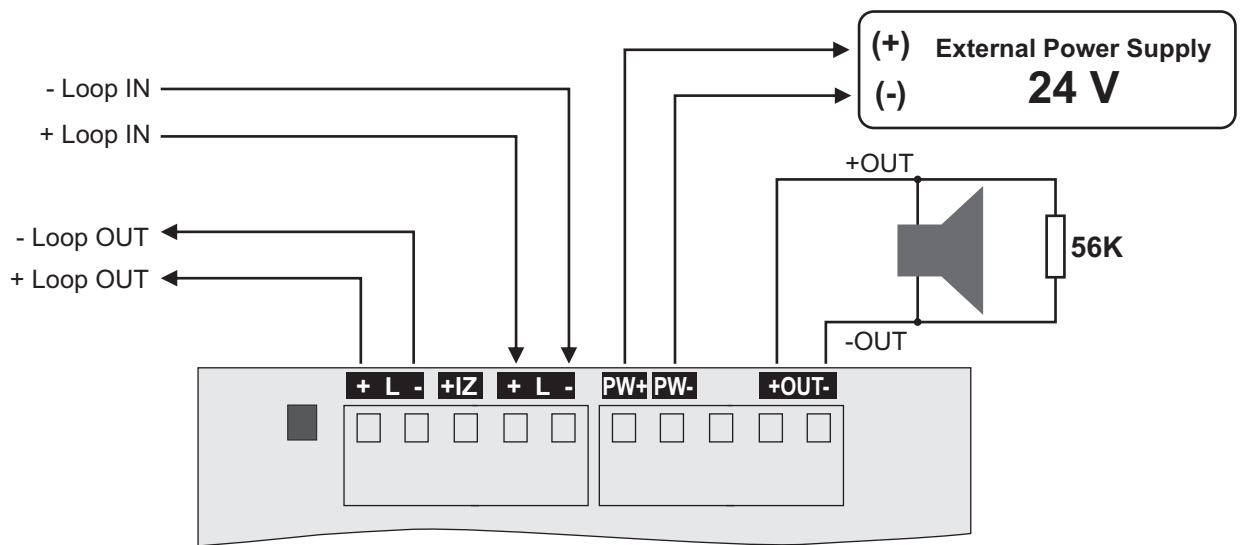
Contact Information

SensoIRIS MOUT Output Module

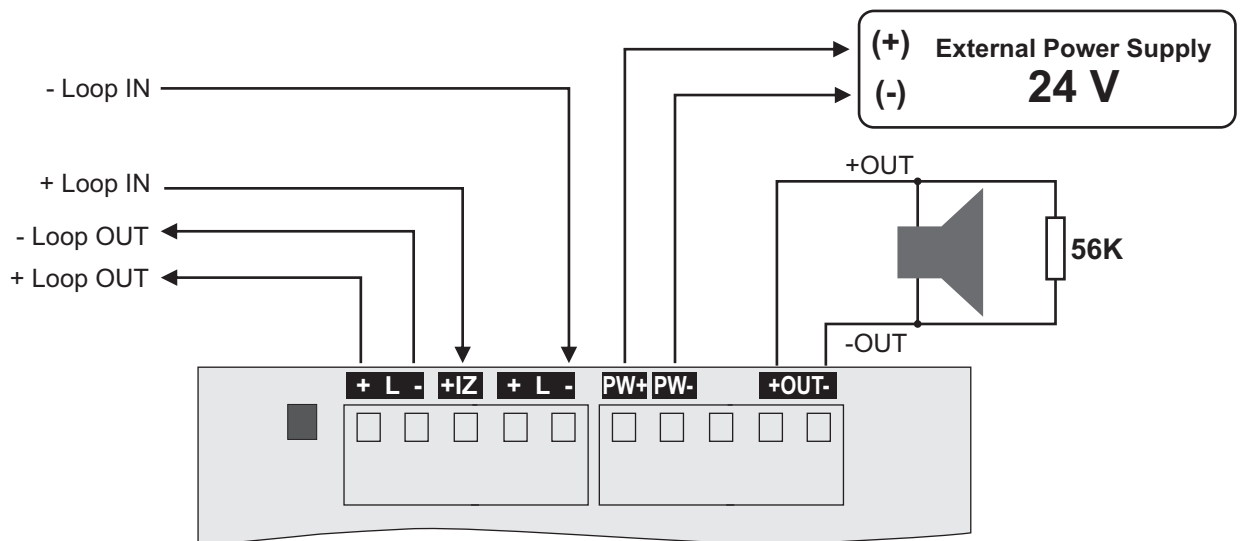
EN54-18/17

● Connection Diagrams

Without using the built-in isolator module



Using the built-in isolator module



● Contact Information