

PIR/MICRO-WAVE
COMBINATION DETECTOR

Grade 2
EN50131-2-4

RX CORE series RXC-DT

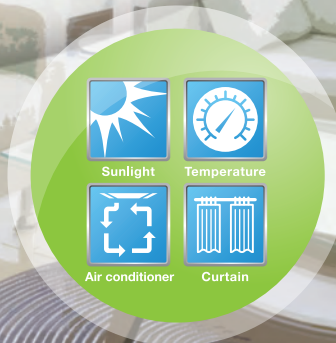
VOLUMATIC QUAD ZONE LOGIC

Combined PIR and Microwave technology provides added flexibility and performance to the RX-CORE series. The RXC-DT incorporates the RXC-ST platform with advanced new Microwave to create a solution for the more challenging environment.



DIGITAL QUAD ZONE LOGIC+

RXC-DT maximises performance through target recognition.



FALSE ALARM IMMUNITY

OPTEX CORE platform provides greater flexibility for sensor positioning and further reduces the potential of unwanted alarms.



RELIABLE TOUGH MOD

RXC-DT has the perfect technology balance of OPTEX's proven PIR technology and in house designed Micro-wave technology to ensure the best sensing performance.

RX CORE series

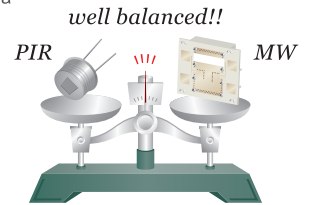
What facilitates high performance in PIR/MW sensors?

High PIR performance is essential to gaining the most benefit from Combined PIR/MW sensors. Precise PIR optical design creates an accurate detection pattern allowing infra-red energy to be accurately detected and focused onto the sensing element. High performance PIR technology forms the foundation of the sensor and should be complemented by similar MW technology.



How can Microwave technology improve performance?

For Microwave technology to improve the performance of a PIR only device, the MW source must deliver a matching detection pattern and stability of its own. This facilitates the first requirement of a sensor – Catch performance. To improve immunity where an extreme presence of sudden white light or temperature change exists, microwave technology can provide a secondary confirmation for the PIR sensor due to the technologies improved resistance to these kinds of conditions.

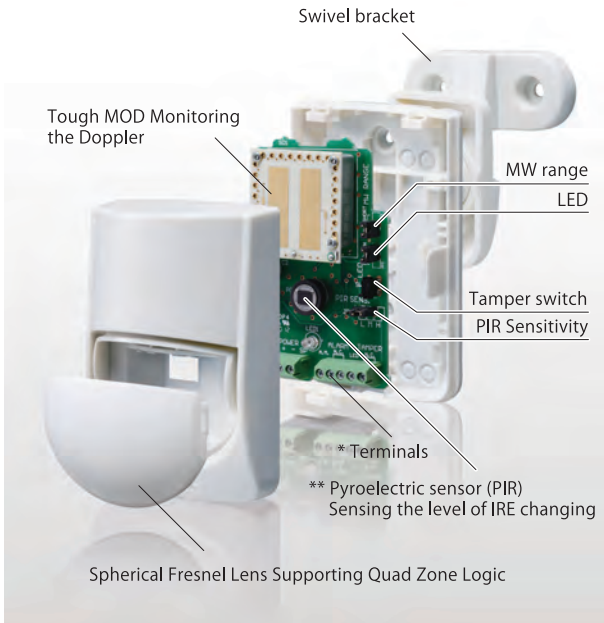


Why is total in-house design and manufacturing important?

To gain the perfect balance between PIR and MW technology in a single sensor all aspects of performance must be considered and designed together. Without this collaboration the combination of these technologies may result in poor performance. Both technologies have strengths and areas of weakness and the weakness of each must be complemented by the strength of the other. OPTEX in-house design provides this assurance and product performance.

Where can RXC-DT provide a performance advantage?

RXC-DT can provide an advantage in commercial and residential applications where the potential for extreme momentary air flow or sudden temperature changes are likely. In some countries legislation is a crucial driver for the use of combined PIR/MW sensor and overrides technical requirements.

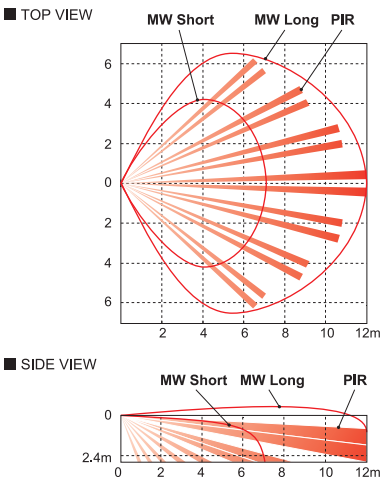


* Phillips screwdrivers #0 or #00 that meet ISO standards shall be used.
** IRE stands for Infrared Radiant Energy.

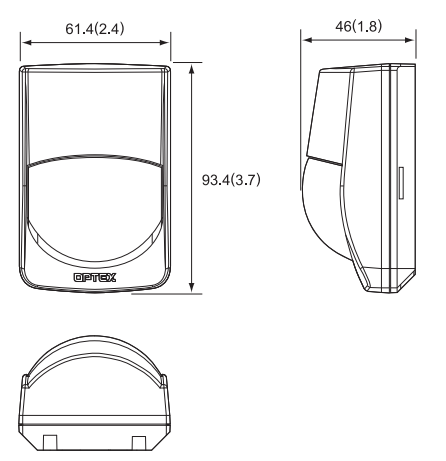
BASIC PERFORMANCE

- DIGITAL QUAD ZONE LOGIC
- SILENT OUTPUT
- MULTI ANGLE BRACKET
- ADVANCED SEALED OPTICS
- ADVANCED TEMPERATURE COMPENSATION LOGIC

COVERAGE SPECIFICATIONS DIMENSIONS



Model	RXC-DT
Detection method	Passive infrared and Microwave
Coverage	12m x 12m(40ft x 40ft) 85°wide
Detection zones	78 zones
Mounting height	1.5 to 2.4m (5 to 8ft)
LED alarm indicator	Switchable ON/OFF
Alarm period	Approx. 2.5 sec
Alarm output	N.C., 28VDC 0.2A max.
Tamper switch	N.C., Open when cover is removed.
Tamper output	24VDC 0.1A max.
PIR sensitivity/range	Switchable LOW/MID/HI
Microwave sensitivity/range	Switchable LONG/SHORT
Warm up period	Approx. 60 sec
Power input	9.5 to 16VDC
Current consumption	12mA (normal), 15mA (max.) at 12VDC
Dimensions	H93.4mm x W61.4mm x D46.0mm
Weight	Approx. 90 g (with bracket: 110 g)
Operating temperature	-20°C to +45°C (-4°F to +122°F)
Environmental humidity	95% max.
RF interference	No alarm 10V/m



Specifications are subject to change without prior notice.

Unit:mm(inch)



OPTEX CO., LTD. (JAPAN)
5-8-12 Ogoto Otsu Shiga 520-0101 JAPAN
TEL: +81-77-579-8670
URL: <http://www.optex.co.jp/e/>

OPTEX INCORPORATED (USA)
TEL: +1-909-993-5770
Tech: (800)966-7839
URL: <http://www.optexamerica.com/>

OPTEX (EUROPE) LTD. (UK)
TEL: +44-1628-631000
URL: <http://www.optex-europe.com/>

OPTEX PINNACLE INDIA PRIVATE LIMITED
TEL: +91-124-4035704
URL: <http://www.optex.net/in/>

OPTEX DO BRASIL LTDA.
TEL: +55-11-2225-0934
URL: <http://www.optexdobrasil.com.br/>

OPTEX SECURITY SAS (FRANCE)
TEL: +33-437-55-50-50
URL: <http://www.optex-security.com/>

OPTEX KOREA CO., LTD. (KOREA)
TEL: +82-2-719-5971
URL: <http://www.optexkorea.com/>

OPTEX SECURITY Sp.z o.o. (POLAND)
TEL: +48-22-598-06-55
URL: <http://www.optex.com.pl/>

OPTEX (DONGGUAN) CO., LTD. SHANGHAI OFFICE (CHINA)
TEL: +86-21-34600673
URL: <http://www.optexchina.com/>