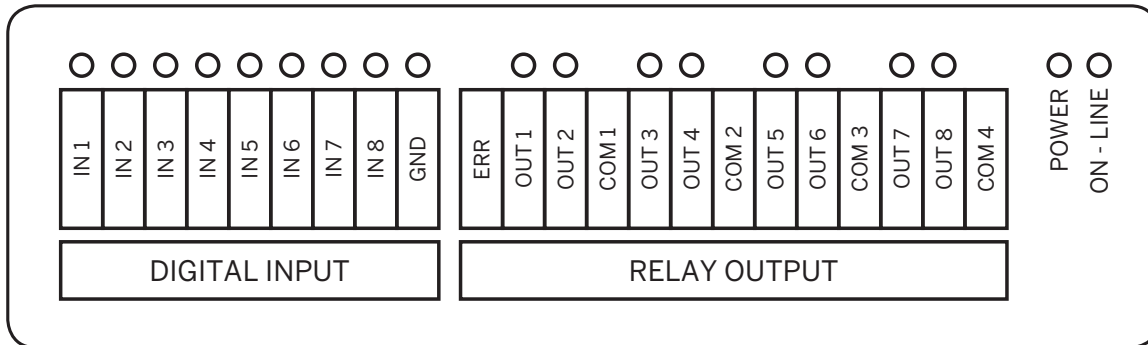


# Type-A Input/Output pinout



## Inputs or Partitions (Digital Input)

- Optically isolated inputs
- Input voltage from 4.5 Vcc to 20 Vcc (max. 30 Vcc)
- Red leds on when inputs are enabled

## Outputs or Relays (Relay Output)\*

- Dry contacts (no voltage)
- Max power: DC24V 1A
- Green leds on when relays are enabled
- Normally closed (N/C) but they can be configured individually as N/O by changing a jumper for each relay, located inside the unit

### Inputs

- **Input 1** (IN 1 and GND pins)
- **Input 2** (IN 2 and GND pins)
- **Input 3** (IN 3 and GND pins)
- **Input 4** (IN 4 and GND pins)
- **Input 5** (IN 5 and GND pins)
- **Input 6** (IN 6 and GND pins)
- **Input 7** (IN 7 and GND pins)
- **Input 8** (IN 8 and GND pins)

- Power led (yellow): enabled when I/O board is properly powered
- On-line led (blue): enabled when I/O board has been detected and enabled by the system

### Relays

- **Relay 1** (OUT 1 and COM 1)
- **Relay 2** (OUT 2 and COM 1)
- **Relay 3** (OUT 3 and COM 2)
- **Relay 4** (OUT 4 and COM 2)
- **Relay 5** (OUT 5 and COM 3)
- **Relay 6** (OUT 6 and COM 3)
- **Relay 7** (OUT 7 and COM 4)
- **Relay 8** (OUT 8 and COM 4)
- Malfunction detection (ERR and COM 1 pins). Closed means system error or power loss

\*Depends on product license acquired

- No license: 8 inputs, no outputs
- License Rel4IA: 8 inputs, 4 relay outputs
- License Rel8IA: 8 inputs, 8 relay outputs