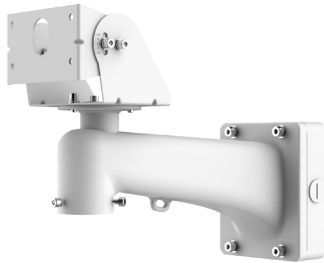


DH-PFB414W

Radar-PTZ Linkage Bracket



- Special for radar and PTZ camera smart tracking system, integrated design, elegant and beautiful
- Aluminum alloy material, reliable load bearing
- Wires can be routed from side with integral junction box, convenient installation and wiring
- Available for integrated installation of multitype radars and PTZ cameras



Scene

Match with surveillance cameras, adaptive to environments with -40°C to 70°C (-40°F to 158°F), and relative humidity less than 90%.

Technical Specification

General

Model	DH-PFB414W
Material	Aluminum alloy
Product Dimensions	384.5 mm × 285.5 mm × 149.6 mm (15.14" × 11.24" × 5.89")
Net Weight	2.7 kg (5.95 lb)
Load Bearing	PTZ camera: 10 kg (22.05 lb) Radar: 3 kg (6.61 lb)
Operating Temperature	-40°C to 70°C (-40°F to 158°F)
Operating Humidity	<90% (RH)
Installation	Wall mount
Color	White
Applicable Model	Radar: PFR4K-E series, PFR4K-D series PTZ camera: SD4/5/6/8 series

Ordering Information

Type	Model	Description
Bracket	DH-PFB414W	Radar-PTZ Linkage Bracket
Accessories (Optional)	PFA150	Pole Mount Bracket
	PFA151	Corner Mount Bracket

Accessories

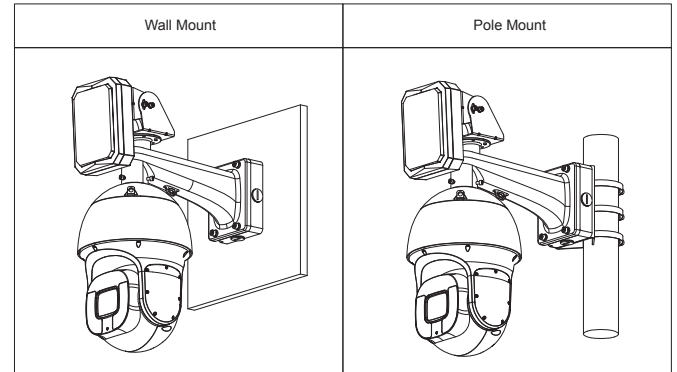
Optional



PFA150
Pole Mount Bracket



PFA151
Corner Mount Bracket



Dimensions (mm[inch])

