

# DH-PFA13F

Junction Box



## Features

- Aesthetic design, indoor
- Material: aluminum alloy +SECC
- Water-proof junction box
- Suitable for SD1A/12 series PTZ network cameras

### Technical Specification

**Model** DH-PFA13F

#### General

**Material** Aluminum alloy + SECC

**Dimension (WxHxD)**  $\Phi 160\text{mm} \times 41.5\text{mm}$  ( $\phi 6.3" \times 1.63"$ )

**Weight** 0.87kg (1.92lb)

**Load Bearing** 3kg (6.61lb)

**Color** White

**Operating Temperature**  $-40^{\circ}\text{C} \sim +60^{\circ}\text{C}$  ( $-40^{\circ}\text{F} \sim +140^{\circ}\text{F}$ )

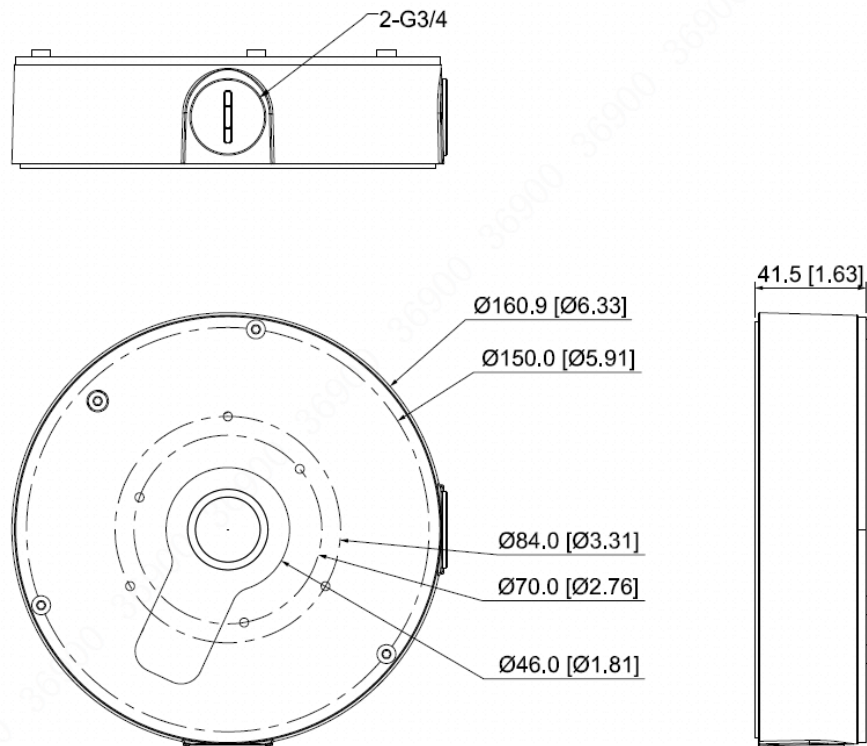
**Humidity** 0~90% RH

**Applicable Model** Please see "Accessory Selector" on [www.dahuasecurity.com](http://www.dahuasecurity.com)

### Ordering Information

Type	Part Number	Description
Camera Mount Series	DH-PFA13F	Junction box
	PFA13F	Junction box

### Dimension(mm/inch)



## Application



## Package Information

- Junction box \*1
- M4x8 screw \*3
- ST6x45-SUS screw \*4
- ST6 plastic anchor \*4
- S3.0 wrench \*1