



Hand-held Metal Detector

User's Manual



1 Overview

1.1 Introduction

DHI-ISC-H001 is a portable hand-held metal detector, which is especially designed for security inspection. It has features such as portable size, light weight, comfortable touch, convenient operation, POST (power on self test), wide scanning range, all-round detection, which contributes to accurate detection of the target. With its superior performance, it has a quick response in metal objects detection and can apply to all metal types, and the sound and vibration alarm can be selected. It is suitable for personnel security check in airports, political and legal systems, schools, stadiums, entertainment venues, etc. Not only can it search for hidden knives and hidden metal objects that endanger personal safety, but it enables inspections in hand luggage, mailed objects and parcels.

1.2 Structure

Figure 1-1 Structure

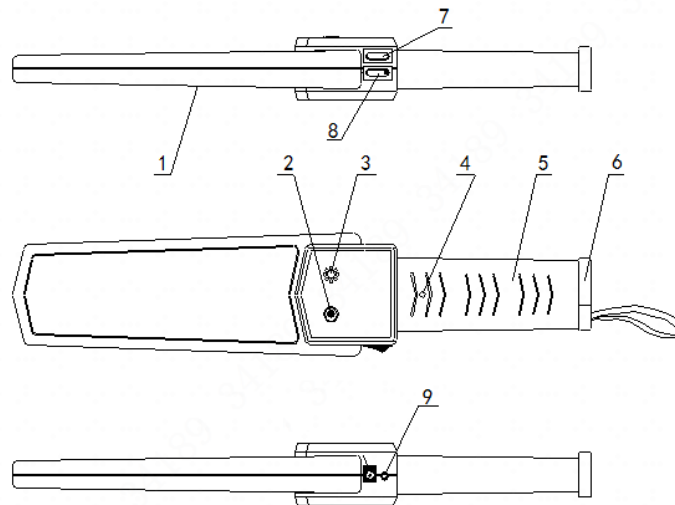


Table 1-1 Diagram descriptions

No.	Name
1	Detection panel
2	Variable LED (GREEN is for power indication and RED is for alarm indication)
3	Buzzer speaker
4	Sensitivity adjustment hole
5	Handle
6	Battery cover
7	Low sensitivity switch
8	Power switch
9	Alarm mode button (sound and light/ vibration)

1.3 Features

- High sensitivity;
- Simple and convenient operation, no need for adjustment;
- Power-saving, continuous work over 40 hours;
- Continuous and automatic alarm sounds will be triggered when the battery runs out;
- Sound prompt of power-on and power-off;
- Adjustable sensitivity, high and low sensitivity can be selected;
- Alarm mode button, sound&light alarm and vibration alarm can be selected.

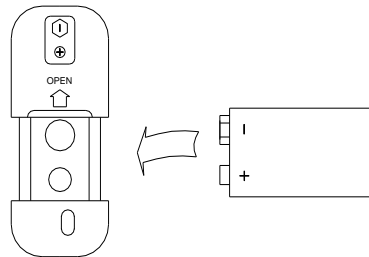
1.4 Applications

- Electronic inspection in airports, stations and dock;
- Security inspection in customs, public security, border defense and security departments;
- Quality inspection in pharmaceutical and food business systems;
- Security inspection in important places and playgrounds;
- Precious metal detection, such as gold and silver jewelry factory.

2 Installation




2.1 Battery Installation

Figure 2-1 Install the battery



- Step 1 Use your thumb to push backward in the groove to open the battery cover.
- Step 2 Install the 6F22 (9V) battery according to the positive and negative symbols on the battery cover.
- Step 3 Close the battery cover and push forward firmly.

2.2 Operating Methods

- Power switch (see 8 in Figure1-1). Press this switch and there will be a prompt sound to indicate the power is on, and the green indicator illuminates simultaneously.

 If the green indicator does not illuminate, it means the battery is not installed or is not connected well; if there is a continuous prompt sound or continuous vibration, it means the battery must be replaced.
- Alarm mode button (see 9 in Figure1-1). Press this red button, the alarm mode will be set as vibration. Release this red button, the alarm mode will be set as sound.
- High sensitivity detection. After power on the detector, hold the handle to use the detection panel to perform detection around the detected object.

 If there is a metal object, the alarm sound or vibration will be triggered and the green indicator turns to be red; if the detection ends, the alarm sound and vibration will stop immediately, the red indicator turns to be green.
- Low sensitivity detection (see 7 in Figure1-1). Press this switch to eliminate the tiny objects in the metal. After power on the detector, hold the handle to use the detection panel to perform detection around the detected object.

 If there is a metal object, the alarm sound or vibration will be triggered and the green indicator turns to be red; if the detection ends, the alarm sound and vibration will stop immediately, the red indicator turns to be green.

Because the sensitivity is reduced by more than 5 times, generally larger metal objects are detected at this time.

2.3 Sensitivity Adjustment

- Sensitivity adjustment is required when the following situations occur:
 - ◇ The detection distance doesn't meet the standard requirements;
 - ◇ Instability caused by over high sensitivity;
 - ◇ The alarm sound or vibration is triggered when there is no metal carried by people;
 - ◇ Other situations.
- Alarm mode button (see 9 in Figure1-1). For sensitivity adjustment, see the following procedures.
 1. Put this button in the release state
 2. Use a small slotted screwdriver to insert through the small hole on the handle of the detector and rotate it clockwise until it emits sound.
 3. Turn the slotted screwdriver counterclockwise until it stops sounding.
 4. Turn the slotted screwdriver half a turn counterclockwise until the sensitivity meets the requirements.

3 Precautions

- Power off after use.
- If the detector idles for a long time, take out the battery.
- No alarm sound will be triggered when the detector is fixed against a metal object, the alarm sound will be triggered when the detector performs the detection around the metal object.
- Power off when charging the detector.