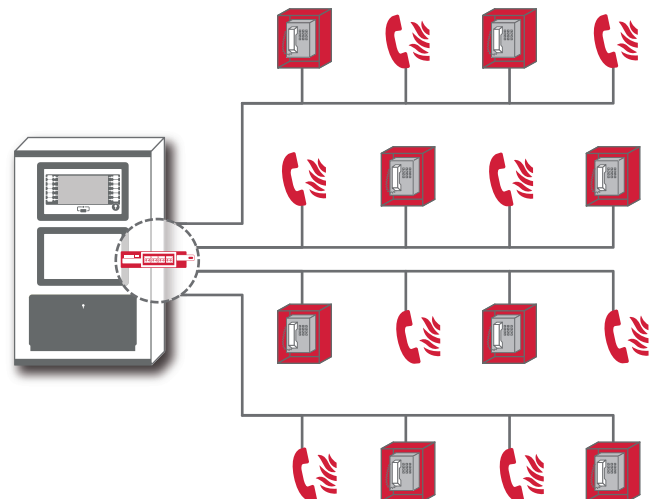
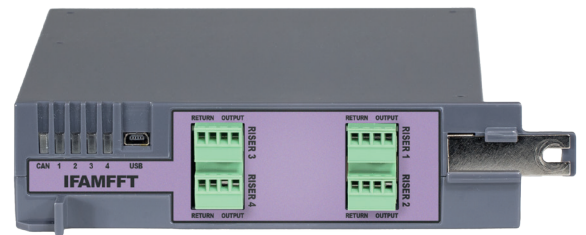


## IFAMFFT

### Emergency telephone management module for Previdia Ultravox control panels

Module for the management of emergency telephones, provides 4 lines for connecting emergency telephones up to a maximum of 64 telephones for each line. By picking up one of the telephones connected to the lines, the request for a conversation is notified on the FPAMIAS front panel and the call can be accepted by via the display. IT is possible to create a chat with up to 5 incoming calls. Each control panel manages up to 4 IFAMFFT modules.



#### MAIN FEATURES

- It can be plugged into the CAN DRIVE+ bar of Previdia Ultra cabinets
- Manages up to 4 emergency telephone lines
- Up to 64 emergency telephones in parallel for each line
- Maximum 4 IFAMFFT modules per control panel for a maximum of 16 emergency telephone lines
- Line connection via twisted pair cable with a maximum length of 500m

#### TECHNICAL SPECIFICATIONS

|                                |   |
|--------------------------------|---|
| Operating power supply voltage | 20 – 30 V <sub>DC</sub> (powered by the CAN DRIVE+ bar) |
| Maximum current draw           | 80 mA   |

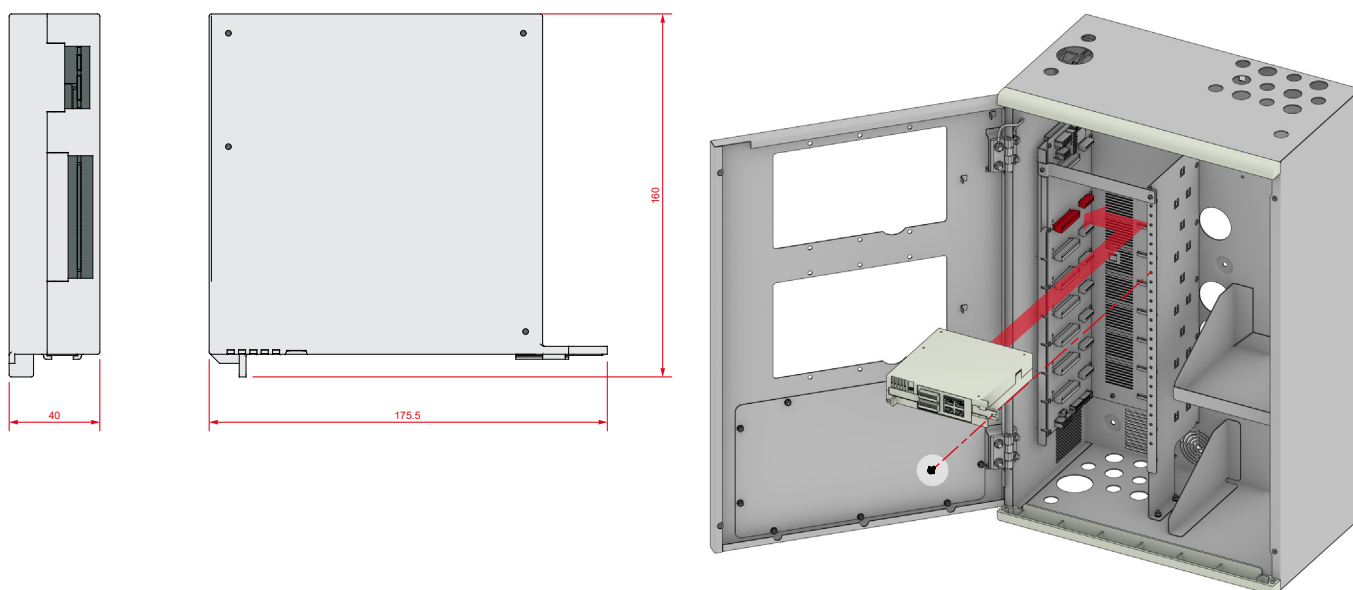
#### MECHANICAL SPECIFICATIONS

|            |                     |           |
|------------|---------------------|-----------|
| Dimensions | 175.5 x 160 x 40 mm |           |
| Weight     | 330 g               |           |
| Enclosure  | Enclosure material  | Plastic   |
|            | Colour              | RAL7015   |
|            | Flame class         | UL 94 V-2 |

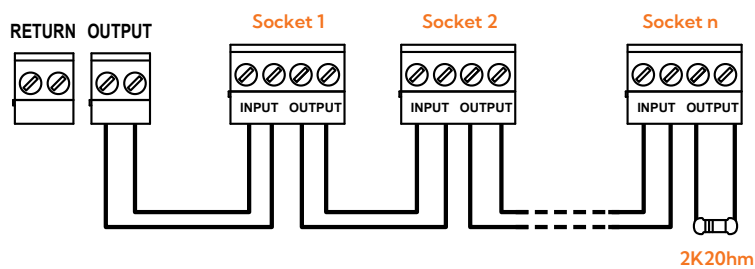
#### HARDWARE SPECIFICATIONS

|                         |                   |
|-------------------------|-------------------|
| FW upgrade              | via mini-USB port |
| Activity and status LED | 5                 |

## DIMENSIONS AND INSTALLATION



## CONNECTIONS



## ORDER CODE

**IFAMFFT** Emergency telephone management module for Previdia Ultra control panels