

# HD42XD2

TDN 1080p IR Rugged Dome Camera



| OPERATIONAL              |   |
|--------------------------|---|
| VIDEO STANDARD           | NTSC/PAL  |
| SCANNING SYSTEM          | Progressive scan  |
| IMAGE SENSOR             | 1/2.8" 2.1 MP CMOS  |
| EFFECTIVE PIXELS (H × V) | 1937 × 1097   |
| MINIMUM ILLUMINATION     | 0.005 lux colour @ F1.3, 30IRE,<br>0 lux B/W with IR LEDs on @ F1.3 |
| S/N RATIO                | > 65 dB   |
| ELECTRONIC SHUTTER SPEED | NTSC: 1/30 – 1/100,000 s<br>PAL: 1/25 – 1/100,000 s                 |
| RESOLUTION               | 1080p (1920 × 1080)   |
| FRAME RATE               | 25/30 fps @ 1080p<br>25/30 fps @ 720p                               |
| VIDEO OUTPUT             | 1-channel BNC CVI/TVI/AHD/CVBS video output                         |
| IR DISTANCE              | Up to 98 ft. (30 m), depending on scene reflectance                 |
| NUMBER OF IR LEDES       | 2 High Power IR LEDES   |
| SMART IR                 | Auto/Manual   |
| DAY/NIGHT                | Auto (ICR)/Manual   |
| BACKLIGHT COMPENSATION   | BLC/HLC/WDR   |
| WHITE BALANCE            | Auto/Manual   |
| GAIN CONTROL             | AGC   |
| WIDE DYNAMIC RANGE       | 120 dB  |
| NOISE REDUCTION          | 2DNR/3DNR   |
| PRIVACY MASKING          | Up to 4 configurable areas  |
| LENS                     | 2.7 – 13.5 mm, MFZ lens, F1.3                                       |
| HORIZONTAL ANGLE OF VIEW | 102° ~ 29°  |
| AUDIO                    | N/A   |

| ELECTRICAL            |   |
|-----------------------|---|
| POWER SUPPLY          | 12 VDC ±25%                                   |
| POWER CONSUMPTION     | 5.4 W max. (IR LEDs on)                       |
| MECHANICAL            |   |
| DIMENSIONS            | Ø122.0 mm × 88.9 mm<br>(Ø4.80" × 3.50")       |
| PRODUCT WEIGHT        | 0.47 kg (1.04 lb.)                            |
| PACKAGE WEIGHT        | 0.62 kg (1.37 lb.)                            |
| CONSTRUCTION          | Die-cast aluminum housing with powder coat    |
| CONSTRUCTION COLOUR   | RAL 9003 (White)                              |
| ENVIRONMENTAL         |   |
| OPERATING TEMPERATURE | -40°C to 60°C (-40°F to 140°F)                |
| COLD START            | Startup should be done at above -40°C (-40°F) |
| STORAGE TEMPERATURE   | -40°C to 60°C (-40°F to 140°F)                |
| RELATIVE HUMIDITY     | Less than 90%, non-condensing                 |
| INGRESS PROTECTION    | IP66  |
| IMPACT RESISTANCE     | IK10  |
| REGULATORY            |   |
| EMISSIONS             | EN55032, ANSI C63.4-2014                      |
| IMMUNITY              | EN50130-4                                     |
| SAFETY                | EU: EN60950-1                                 |
| ROHS                  | EN50581                                       |

## RECOMMENDED ACCESSORIES

| SYSTEM COMPATIBILITY |  |
|----------------------|--|
| HRHQ104* HQA DVRS    | 4-channel, 720p@120/100 fps,<br>1080p@60/50 fps, 1 SATA,<br>alarm I/O    |
| HRHQ108* HQA DVRS    | 8-channel, 720p@240/200 fps,<br>1080p@120/100 fps, 2 SATA,<br>alarm I/O  |
| HRHQ116* HQA DVRS    | 16-channel, 720p@480/400 fps,<br>1080p@240/200 fps, 2 SATA,<br>alarm I/O |

| HOUSING AND MOUNTS |   |                    |
|--------------------|---|--------------------|
| HQA-WK             |  | Wall Mount Adapter |
| HQA-PM2            |  | Pole Mount Adapter |

\* Pre-installed storage (TB).

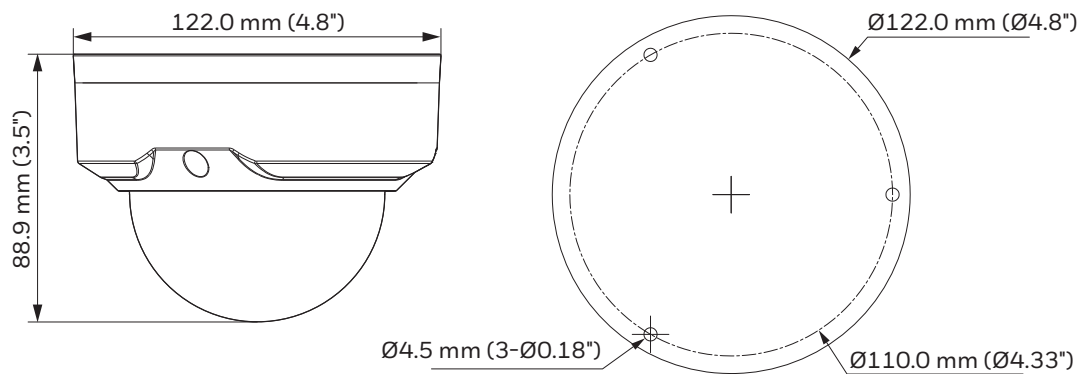
# TDN 1080p IR Rugged Dome Cameras

## ORDERING

HD42XD2

TDN 1080p IR Rugged Dome Camera, 1/2.8" 2.1 MP CMOS, 2.7–13.5 mm MFZ Lens, 2 High Power IR LEDs, 12 VDC, IP66, IK10

## DIMENSIONS



### For more information

[www.honeywell.com/security](http://www.honeywell.com/security)

### Honeywell Security and Fire

Aston Fields Road  
Whitehouse Industrial Estate  
Runcorn, Cheshire, WA7 3DL  
United Kingdom  
Tel: +44 (0)8448 000 235  
[www.honeywell.com](http://www.honeywell.com)

### Honeywell Security Office -

Emaar Business Park, Sheikh Zayed Road  
Building No. 2, 2nd floor, 201  
Post Office Box 232362  
Dubai, United Arab Emirates  
Tel: +971 44541704  
[www.honeywell.com](http://www.honeywell.com)

Honeywell reserves the right, without notification, to make changes in product design or specifications.

HSFV-HD42XD2D-01-UK(1117)DS-E  
November 2017  
© 2017 Honeywell International Inc.

**Honeywell**