

## HD ULTRA SERIES

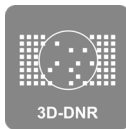
Series dedicated to the installer who's looking for a premium-level camera able to guarantee excellent performances also under extreme light conditions.



# DAI-320AU-VF

## 40M IR 1080P ULTRA HD ANALOG VARI-FOCAL LENS ANTI VANDAL DOME CAMERA

Equipped with a 2.8-12mm lens, this 2MP anti vandal camera combines Ultra-low light capabilities, True WDR and varifocal lens making it ideal for complicated scenes and low light scenarios. This camera is designed to monitor high-security areas (such as banks, hotels, chain stores and more) and to capture crimes in the act, with full confidence that the camera is protected against vandalism attempts. The vandal-proof IK10 protection makes it extremely hard to sabotage.



### MAIN FEATURES

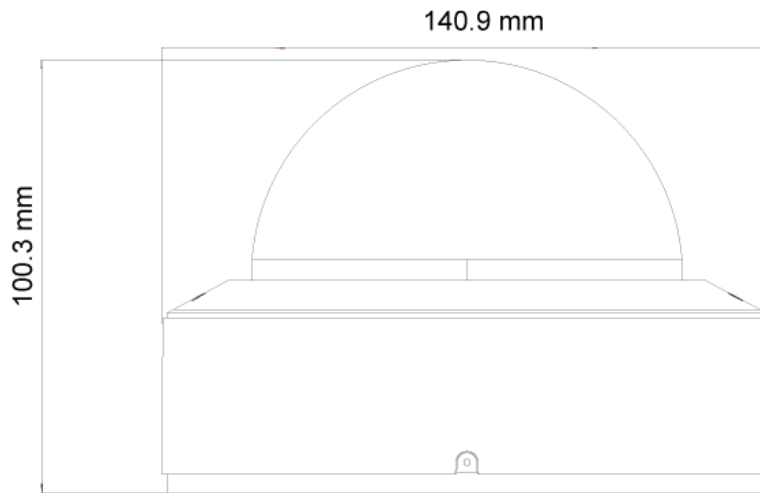
- 2MP
- Ultra-Low Illumination
- Ultra Series
- True WDR
- 1920x1080 Resolution
- 2.8-12mm Vari-Focal ( 88°-33° )
- 3D-DNR
- 4 in 1 (AHD/TVI/CVI/CVBS Selectable)
- IP67, IK10
- COC support



## SPECIFICATIONS

Image Sensor	1/2.9" 2MP Sensor
Image Format	16:9
Effective Pixels	1945x1109
Scanning System	Progressive
Resolution	2MP: 1920x1080 AHD/TVI/CVI 1MP: 1280x720 AHD/TVI/CVI CVBS: 700TVL
FPS	25/30FPS
Min. Illumination	Color: 0.001lux @F1.2, AGC ON B/W: 0lux with IR
D&N	True Day&Night-ICR
IR LED	3 LED Array (40m)
OSD Menu	Available via CoC Only
CoC Support	Yes
Day & Night Mode	Ext/Auto/Day/Night
Backlight Compensation	No
S/N Ratio	≥52dB (AGC OFF)
White Balance	Auto / Manual
Noise Reduction	3D-DNR
Video Output	2MP AHD/TVI/CVI/CVBS (Selectable)
Privacy Mask	No
D-Effect	No
WDR	True (120dB) + Digital
Lens (Field Of View)	2.8-12mm Mega-Pixel Vari-Focal (88°-33°)
Power	DC12V/660mA
Operation Temperature	-30°C ~ 50°C, 10% ~ 90% humidity
Protection Rate	IP67, IK10
Dimensions	Φ140.9*100.3mm
Net Weight	830g
Junction Box	PR-JBA14IP66

## DIMENSIONS



## ACCESSORIES



PR-JBA14IP66  
Large Water-proof Junction Box