

# DHI-ASI1202M

## Access Controller



- Material: Zinc alloy plate
- Support card unlock, fingerprint unlock, and card&fingerprint unlock
- Card reading frequency is 13.56MHZ; card reading distance is 1cm–3cm
- Support both RS-485 protocol and Wiegand protocol
- IP65, IK10
- Fingerprint Capacity: 3,000
- Support duress alarm, tamper alarm, intrusion alarm, door contact timeout alarm, and illegal card exceeding time alarm
- Support guest card, patrol card, VIP card, general user card, and card for the disabled



### Technical Specification

#### System

Main Processor	Embedded processor
Network Protocol	IPv4; TCP
OSDP Protocol	Yes
SDK and API	Yes

#### Basic

Appearance	All-in-one
Buzzer	Yes
Casing	Zinc alloy

#### Function

Unlock Mode	Fingerprint/Card unlock
Card Reading Type	IC card
Period List	128
Holiday Period	128
Network Update	Yes
First Card Unlock	Yes
Remote Verification	Yes
Blocklist/Allowlist	Yes
Peripheral Card Reader	1 RS-485, 1 Wiegand
Multiple Authentication	Support card/fingerprint unlock

Real-Time Surveillance	Yes
Group Combination	Yes
Register	Yes

#### Performance

Card Reading Distance	1cm–3cm
Fingerprint Sensor Type	Optical
Fingerprint Verification	1:N
Fingerprint Comparison Time	≤1.5s
Fingerprint Recognition Time	≤0.5s

#### User

User (Card) Type	General user/VIP/patrol user/guest/blocklist user/special user
------------------	--

#### Capacity

User Capacity	30,000
Fingerprint Capacity	3,000
Card Capacity	30,000
Record Capacity	150,000

#### Port

RS-485	1
Wiegand	1 (input and output ports are the same)
USB	1 USB2.0 port
Network	1 RJ-45, 10Mbps/100Mbps self-adaptive

Alarm Input	1 (digital quantity)
Alarm Output	1 (relay)
Alarm Linkage	Yes
Exit Button	1
Door Status Detection	1
Lock Control	1

## Alarm

Anti-Passback	Yes
Tamper Alarm	Yes
Duress Alarm	Yes
Door Sensor Timeout	Yes
Intrusion	Yes
Illegal Card Exceeding Threshold	Yes
Duress Fingerprint	Yes

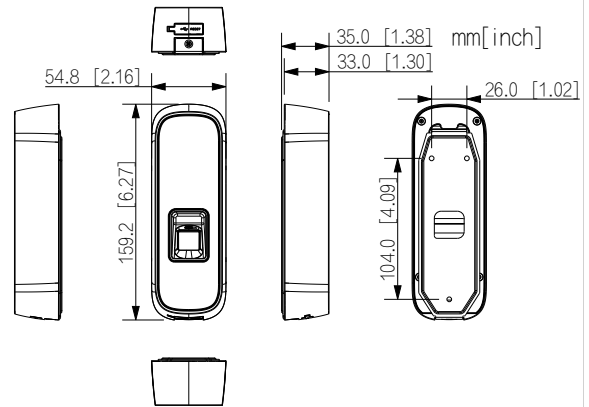
## General

Power Adapter	Optional
Power Supply	12V DC 1A
Protection Grade	IP65 (Apply silica gel to gaps, for details, see the quick start guide.) IK10
Power Consumption	≤1.8W (standby), ≤3W (working)
Product Dimensions	54.8 mm × 159.2 mm × 35.0 mm (2.16" × 6.27" × 1.38")
Box Dimensions	206 mm × 106 mm × 9.7 mm (8.11" × 4.17" × 3.82") (Product box) 553 mm × 428 mm × 220 mm (21.77" × 16.85" × 8.66") (Protective box)
Operating Temperature	-30°C to +50°C (-22°F to +122°F)
Operating Humidity	5%RH–95%RH (non-condensing)
Operating Altitude	0m–1300m (0ft–4265.09ft)
Operating Environment	Outdoor
Net weight	0.7kg (1.54 lb)
Gross Weight	0.79kg (1.74 lb)
Accessory	Bracket
Installation	Surface mount
Certifications	CE FCC

## Ordering Information

Type	Part Number	Description
Access Controller	DHI-ASI1202M	Fingerprint Access Controller

## Dimensions (mm[inch])



## Application

