

DHI-XVR7108HE-4KL

8 Channel Penta-brid 4K Mini 1U Digital Video Recorder



The Device features powerful digital monitoring capability for the security industry. The embedded LINUX OS assures the stable operation, high accessibility and delivers unmatched monitoring with easy to use configurations. The Device features functions such as recording, playback, and monitoring and offers synchronization for audio and video. The Device also adopts the advanced control technology and has a strong network data transmission capability.

Series Overview

The Device harnesses its embedded design to ensure high security and reliability. It can work from the local end or, through its strong networking capability, connect to the professional surveillance software (Smart PSS) to form a security network, displaying its powerful remote monitoring functions. Also, it can upgrade the old system for fine definition without changing the initial circuit.

Functions

GUI4.0

Brand new local and web UI style with new boot logo and web login logo.

Zero-channel Encoding

Uses zero-channel encoding to blend multiple analog and IP channels into one channel. Enjoy monitoring through remote multi-window live view and save on networking transmission bandwidth.

Recording

Features several types of playback, including simultaneous, event, tag, smart, image, fast and slow playback.

HDCVI/AHD/TVI/CVBS Auto-detect

HDCVI/AHD/TVI/CVBS Auto-detect

The XVR can auto recognize the signal of front-camera without any setting. It makes operation more friendly and convenient.

- H.264/H264+dual-stream video compression
- Supports HDCVI/AHD/TVI/CVBS/IP video inputs
- Max. 12 channels IP camera inputs, each channel up to 4 MP
- Max. 48 Mbps incoming bandwidth
- Supports 5 MP camera input
- Supports simultaneous display of VGA and HDMI
- Supports 1 SATA HDD, up to 8 TB
- Smart Search and Intelligent Video System



Coaxial Audio/Upgrade/Alarm

The integrated design can reduce wiring troubles which makes it much more cost-effective and convenient for installation.

Long Distance Transmission

The HDCVI system supports long distance transmission over coaxial cable and UTP, max. 300 m for 1080p and 500 m for 720p.

Intelligent Video System (IVS)

With built-in intelligent video analytics, the XVR has the ability to detect and analyze moving objects for improved video surveillance. The XVR provides optional standard intelligence at the edge allowing detection of multiple object behaviors such as abandoned or missing objects. IVS also supports Tripwire analytics, allowing the camera to detect when a pre-determined line has been crossed.

Face Detection

It is a typical technology being used in a variety of applications for searching or identification of individuals.

Spot Output

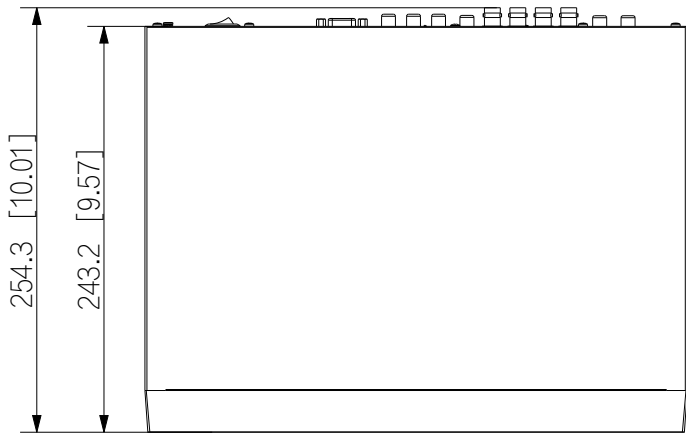
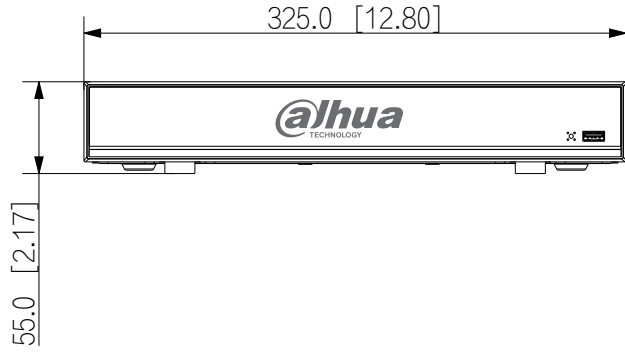
It is made for a secondary monitor. This allows the operator to view one special monitor that assigned to selected cameras or video inputs from higher security areas.

Technical Specification			
System		Max User Access	128 users
Main Processor	Embedded processor	Mobile Phone Access	iOS, Android
Operating System	Embedded linux	Interoperability	ONVIF (profile S), CGI, SDK
Face Detection		Alarm	
Face Detection	only for the 1st channel ,only support analog camera	General Alarm	Motion detection, Video Loss, tampering
IVS Analytics		Anomaly Alarm	No disk, disk error, low space, offline, ip conflict, MAC conflict
IVS	1 channel, 10 IVS for each channel ,only support analog camera	Intelligent Alarm	Face detection, IVS
Audio and Video		Alarm Linkage	Record, snapshot (panoramic), IPC external alarm output, access controller, voice prompt, buzzer, log, preset, email
Analog Camera Input	8 channels, BNC	Alarm input	8
HDCVI Camera Input	4K; 6 MP; 5 MP; 4 MP; 3 MP; 1080p; 720p	Relay Output	3
AHD Camera Input	4K; 6 MP; 5 MP; 4 MP; 3 MP; 1080p; 720p	Playback and Backup	
TVI Camera Input	4K; 6 MP; 5 MP; 4 MP; 3 MP; 1080p; 720p	Playback	1/4/9
CVBS Camera Input	PAL/NTSC	Search Mode	Time /Date, Alarm, MD and Exact Search (accurate to second)
IP Camera Input	8+4 channels, each channel up to 4 MP	Playback Mode	Instant playback, general playback, event playback, tag playback, smart playback (face and motion detection)
Audio Input	8 RCA	Backup	USB Device/Network
Audio Output	1 RCA	Storage	
Two-way Talk	Reuse audio in/out, RCA	HDD Interface	1 SATA port, up to 8 TB capacity
Recording		eSATA	N/A
Video Compression	H.264+/H.264	Auxiliary Interface	
Resolution	4K, 6 MP, 5 MP, 4 MP, 3 MP, 1080p, 720p, 960H, D1, CIF, BCIF, QCIF	USB	2 USB ports (1 USB 2.0,1 USB 3.0)
Record Rate	Main stream: All channel 4K (1 fps~7 fps); 6 MP (1 fps~10 fps); 5 MP (1 fps~12 fps); 4 MP/3 MP (1 fps~15 fps);/1080p/720p/960H/D1/CIF (1 fps~25/30 fps); Sub steram: 960H (1 fps~15 fps); 1/CIF (1 fps~25/30 fps)	RS-485	1 port, for PTZ control
Record Mode	Manual, Schedule (General, Continuous), MD (Video detection: Motion Detection, Video Loss, Tampering), Alarm, Stop	Electrical	
Bit Rate	32 Kbps~6144 Kbps Per Channel	Power Supply	12 VDC/2A
Audio Sample Rate	8 KHz, 16 bit Per Channel	Power Consumption (Without HDD)	≤ 10 W
Audio Bit Rate	64 Kbps Per Channel	Construction	
Audio Compression	G.711A; G.711U; PCM	Dimensions	Mini 1U, 325 mm × 245 mm × 45 mm × 55 mm(12.80" × 10.11" × 2.17")
Display		Net Weight (without HDD)	≤ 1.2 kg (2.6 lb)
interface	1 HDMI, 1 VGA	Installation	Desktop installation
Resolution	HDMI: 3840 x 2160, 2560 x 1440, 1920 x 1080, 1280 x 1024, 1280 x 720 VGA: 1920 x 1080, 1280 x 1024, 1280 x 720	Environmental	
Multi-screen Display	When IP extension mode enabled: 1/4/8/9/16 When IP extension mode not enabled: 1/4/8/9	Operating Temperature	-10 °C to +55 °C (+14 °F to +131 °F)
OSD	Camera title, Time, Video loss, Camera lock, Motion detection, Recording	Operating Humidity	10%~90%
Network		Third-party Support	
Network Port	1 RJ-45 Port (1000 MB)	Third-party Support	Dahua, Arecont Vision, AXIS, Bosch, Brickcom, Canon, CP Plus, Dynacolor, Honeywell, Panasonic, Pelco, Samsung, Sanyo, Sony, Videotec, Vivotek, and more
Network Protocol	HTTP, HTTPS, TCP/IP, IPv4/IPv6, Wi-Fi, SNMP, UPnP, RTSP, SMTP, NTP, DHCP, DNS, PPPoE, DDNS, FTP, Alarm Server, IP Search (Supports Dahua IP camera, DVR, NVS, etc.)	Certifications	
		Certifications	CE: CE LVD EN 62368 CE EMC: EN55032 EN55024 EN55035,EN50130-4 FCC: part15B

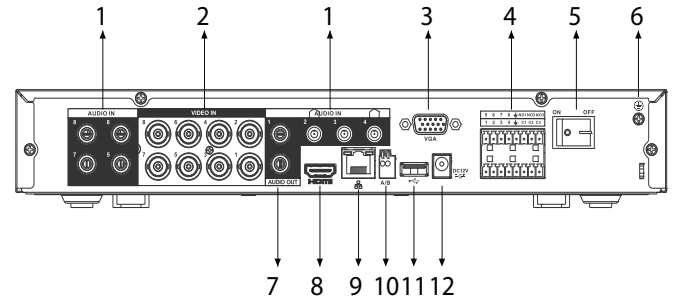
Ordering Information

Type	Model	Description
8 Channel XVR	DHI-XVR7108HE-4KL	8 Channel Penta-brid 4K Mini 1U Digital Video Recorder

Dimensions (mm[inch])



Panels



- | | |
|----------------------------|----------------|
| 1 AUDIO IN, RCA Connector | 2 VIDEO IN |
| 3 VGA Port | 4 Alarm In/Out |
| 5 Power Switch | 6 Ground |
| 7 AUDIO OUT, RCA Connector | 8 HDMI Port |
| 9 Network Port | 10 RS-485 Port |
| 11 USB Port | 12 Power Input |