

VX Infrared Multi Dimensional Outdoor Detector

DETECTOR D'EXTÉRIEUR MULTIDIMENSIONNEL
Série VX Infinity™
MODELE FONCTIONNANT SUR BATTERIE

VXL-R
VXI-RAM
VXI-RDAM-X5: 10.525 GHz
VXI-RDAM-X8: 10.587 GHz
VXI-RDAM-X7: 13.7 GHz

INSTALLATION INSTRUCTIONS
INSTRUCTIONS D'INSTALLATION
INSTALLATIONSANWEISUNGEN
ISTRUZIONI D'INSTALLAZIONE
MANUAL DE INSTALACIÓN

Table with 3 columns: VXL-R, VXI-RAM, VXI-RDAM. Rows include Battery operated model, Modele fonctionnant sur batterie, Batteriebetriebenes Modell, etc.

The VX Infinity™ series provide highly reliable detection functions, reducing false reports or report losses. The VX Infinity™ series delivers stable detection performance even in severe outdoor environments.

FEATURES
CARACTERÍSTICAS
FUNKTIONEN
CARATTERISTICHE
CARACTERÍSTICAS

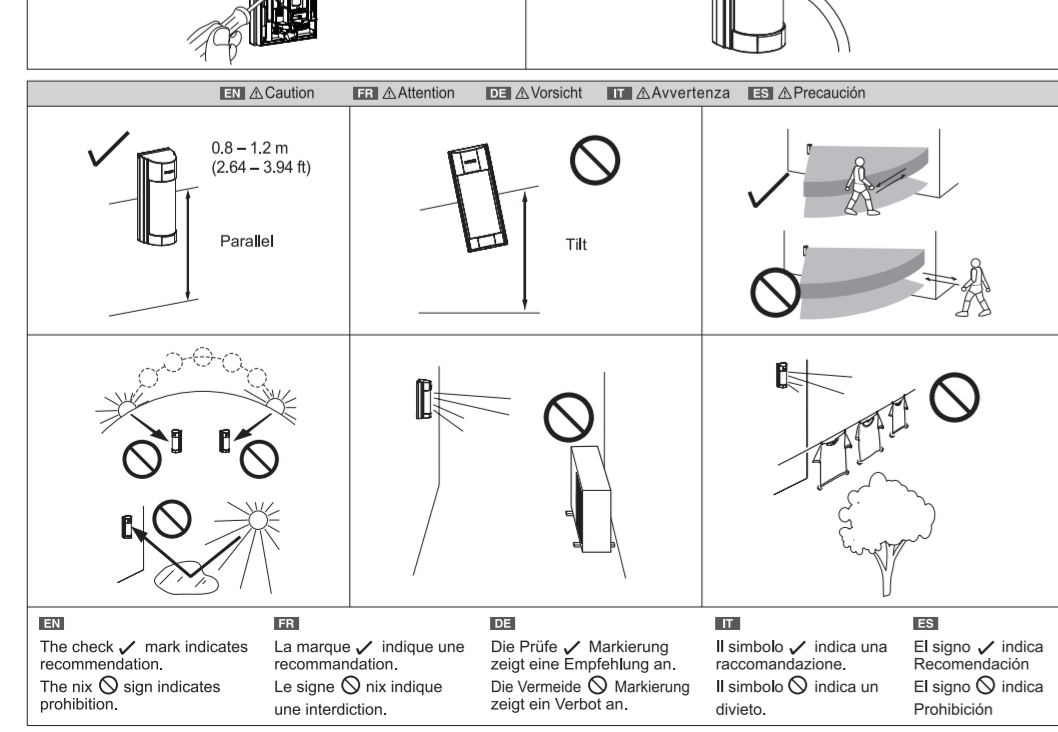
- BASIC FEATURES: 12 m (40 ft) by 90 degree flexible detection pattern adjustable to 5 range.
CHARACTERISTIQUES: 12 m (40 ft) avec modèle de détection flexible et à 5 Reichweiten.
GRUNDFUNKTIONEN: 12 m bei 90 Grad flexiblen Wahrnehmungsmustern...

1 INTRODUCTION
INTRODUCTION
EINLEITUNG
INTRODUZIONE
INTRODUZIONE

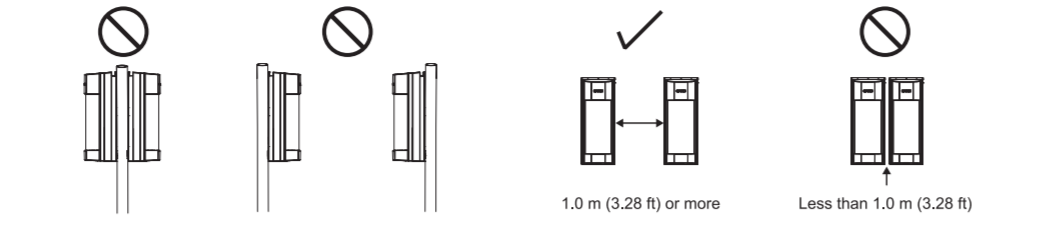
1-1 BEFORE INSTALLATION
AVANT L'INSTALLATION
VOR DER INSTALLATION
PRIMA DELL'INSTALLAZIONE
ANTES DE LA INSTALACION

Warning: Failure to follow the instructions provided with this indication may cause death or serious injury.
Avertissement: Ne pas suivre les instructions fournies avec cette indication peut causer des blessures graves voire mortelles.

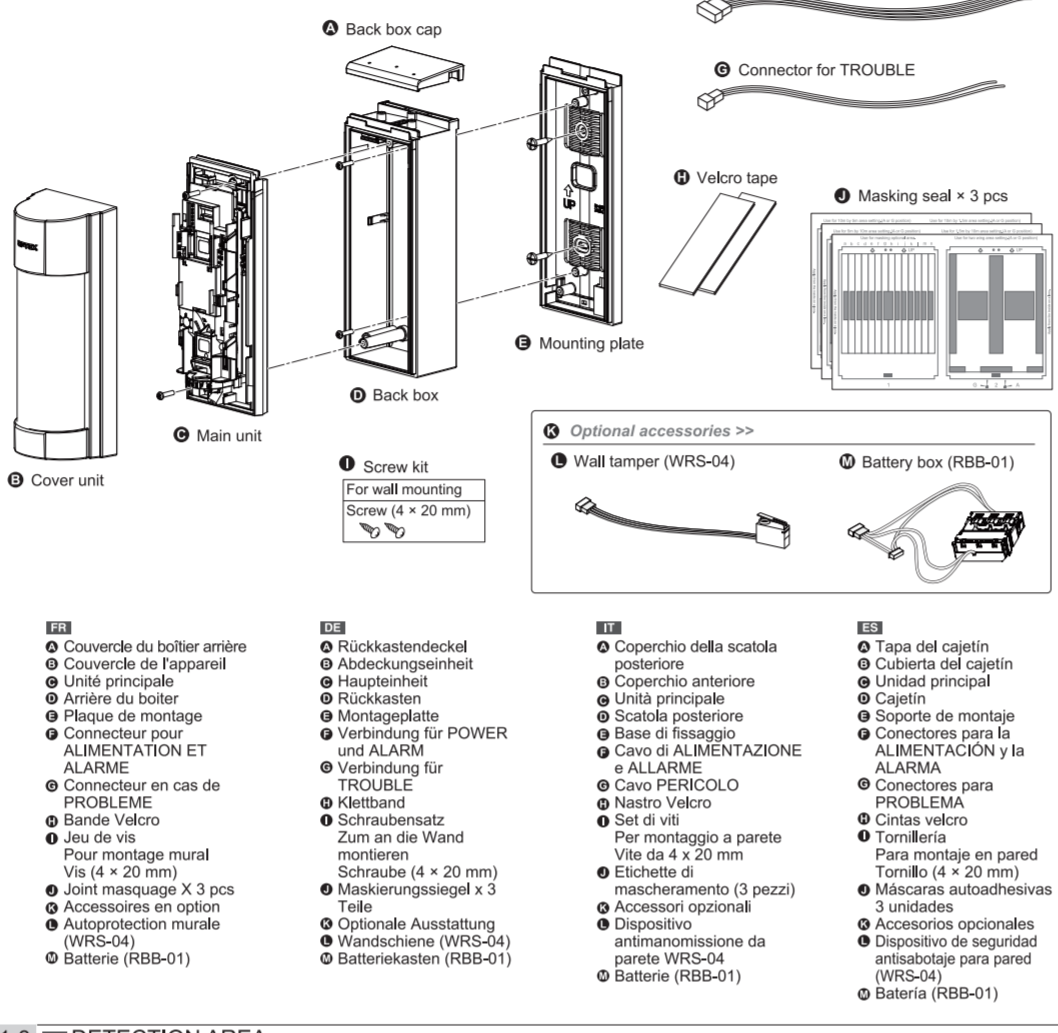
2 INSTALLATION
INSTALLATION
INSTALLATION
INSTALLAZIONE
INSTALACION



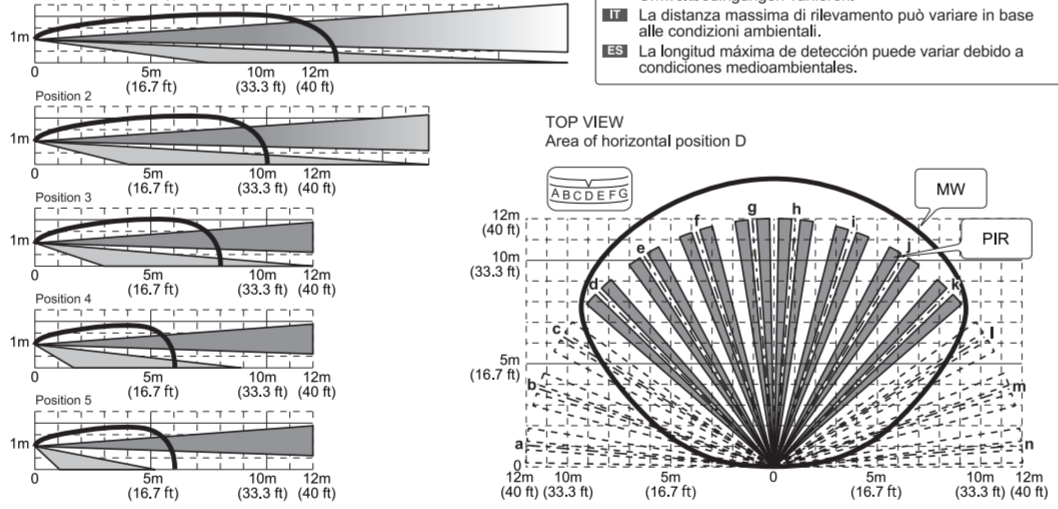
1-2 PARTS IDENTIFICATION
IDENTIFICATION DES PIECES
TEILE-IDENTIFIKATION
DESCRIZIONE DELLE PARTI
IDENTIFICACIÓN DE LOS PARTES



1-3 DETECTION AREA
ZONE DE DETECTION
WAHRNEHMUNGSBEREICH
AREA DI RILEVAZIONE
ÁREA DE DETECCIÓN

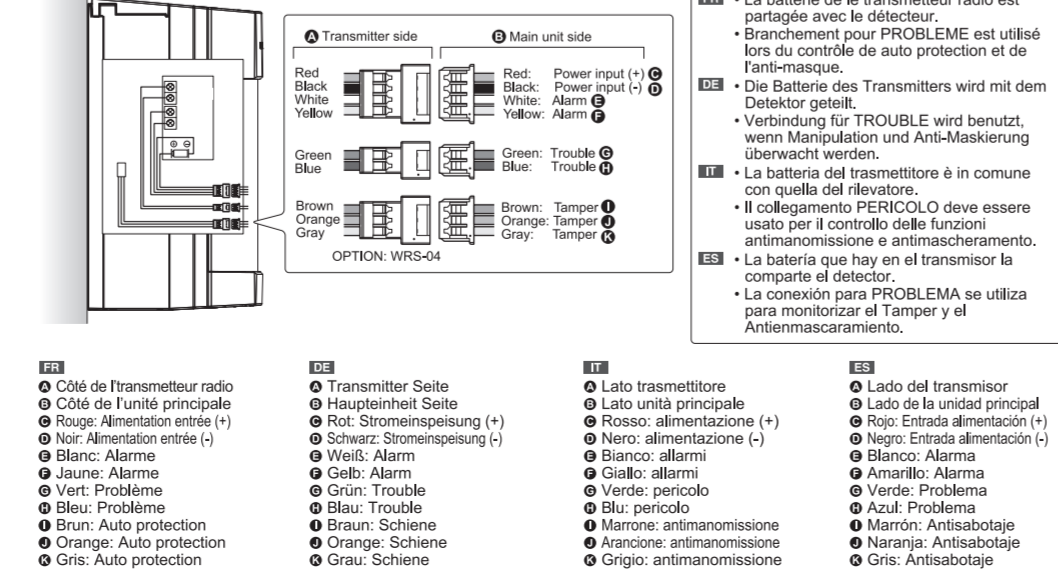


1-3 DETECTION AREA (continued)
ZONE DE DETECTION
WAHRNEHMUNGSBEREICH
AREA DI RILEVAZIONE
ÁREA DE DETECCIÓN

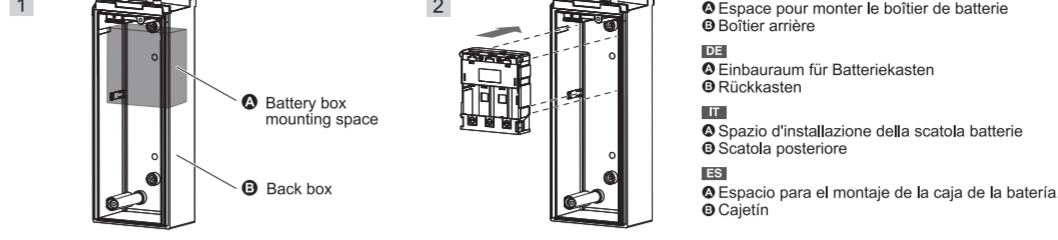


2 INSTALLATION
INSTALLATION
INSTALLATION
INSTALLAZIONE
INSTALACION

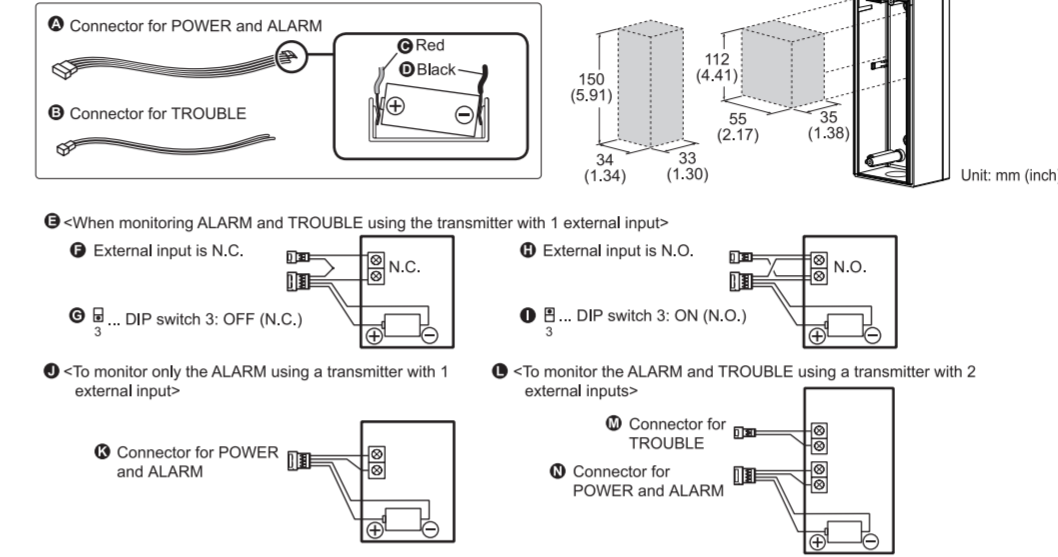
2-1 WIRING DIAGRAM
DIAGRAMME CABLEAGE
ANSCHLUSSDIAGRAMM
COLLEGAMENTI ELETTRICI
ESQUEMA DEL CABLEADO



2-2 R MODEL BATTERY BOX RBB-01 (OPTION)
R MODELLE BATTERIEKASTEN RBB-01 (OPTION)
SCATOLA BATTERIE RBB-01 PER MODELLO R (OPZIONE)
MODELO R DE CAJA DE BATERIA RBB-01 (Opción)

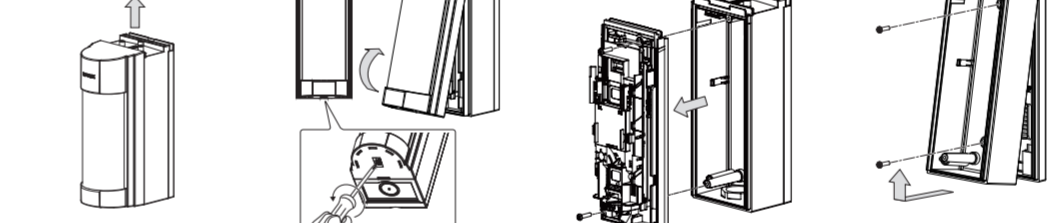


2-3 TRANSMITTER PREPARATION
PREPARATION TRANSMETTEUR RADIO
TRANSMITTEUR VORBEREITUNG
PREPARAZIONE DEL TRASMETTITORE
PREPARAZIONE DEL TRANSMISOR

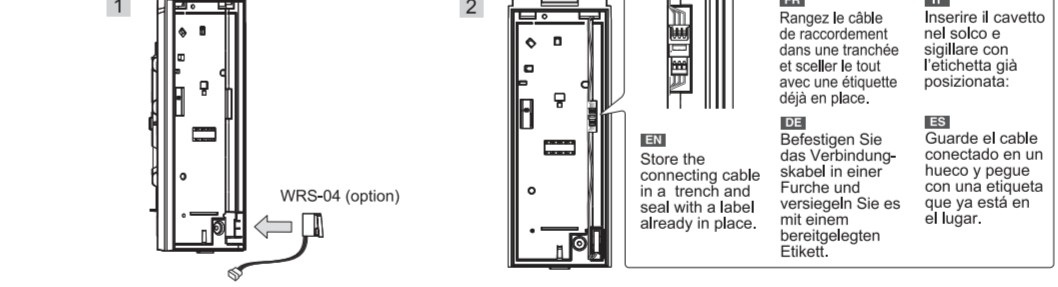


External input is N.C., DIP switch 3: OFF (N.C.), External input is N.O., DIP switch 3: ON (N.O.), Connector for POWER and ALARM, Connector for TROUBLE, Connector for POWER and ALARM, Connector for TROUBLE, Connector for POWER and ALARM, Connector for TROUBLE.

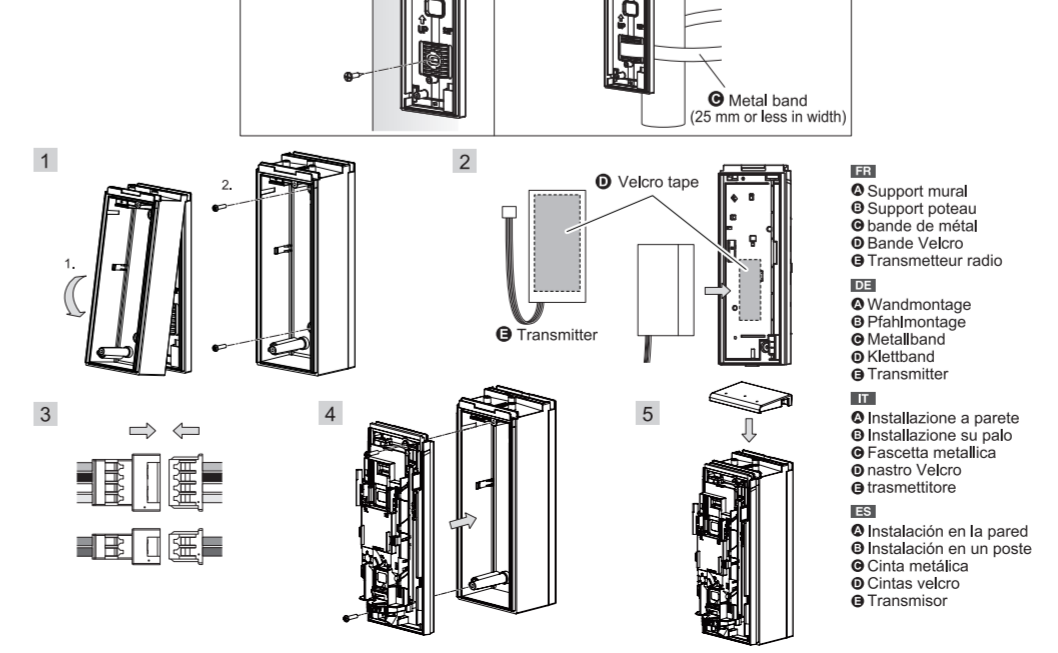
2-4 BEFORE MOUNTING
AVANT D'EFFECTUER LE MONTAGE
VOR DER MONTAGE
PRIMA DELL'INSTALLAZIONE
ANTES DE MONTARLO



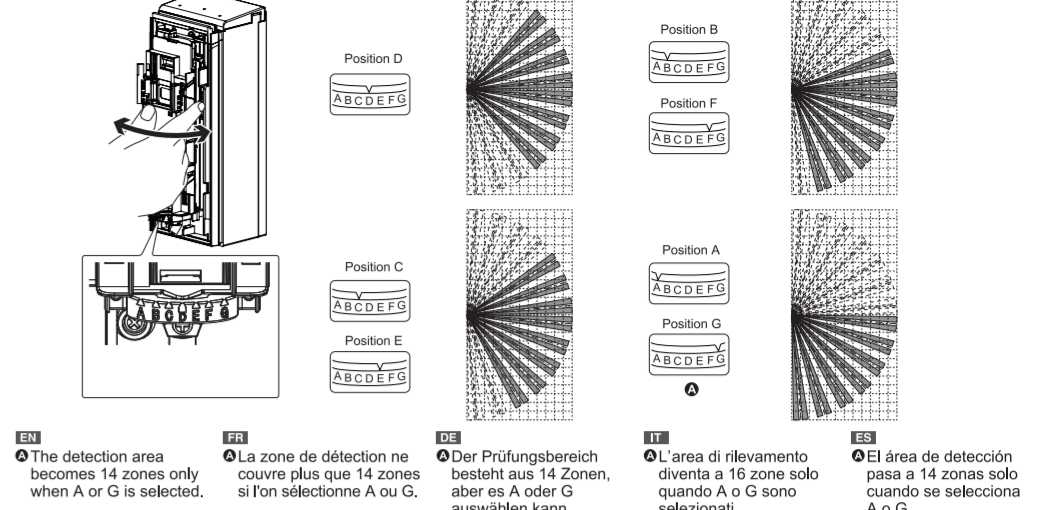
2-5 WALL TAMPER WRS-04 (OPTION)
AUTO PROTECTION MURALE WRS-04 (OPTION)
WANDSCHUTZHE WRS-04 (OPTION)
DISPOSITIVO ANTIMANOMISSIONE WRS-04 (OPZIONE)
Conexión tamper de pared WRS-04 (Opción)



2-6 MOUNTING
MONTAGE
MONTAGE
MONTAGGIO
MONTAJE

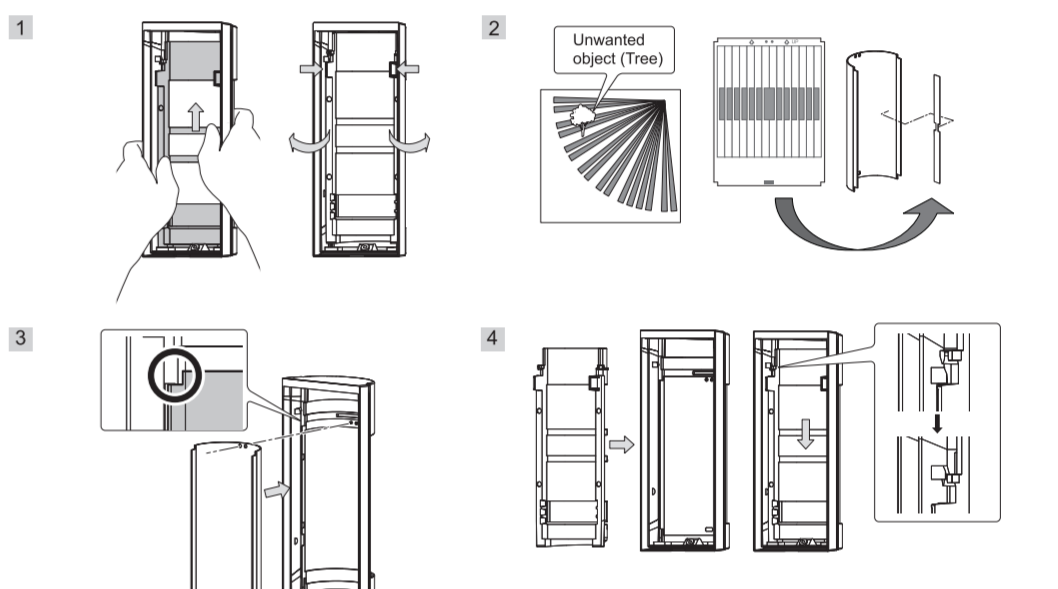


2-7 AREA ANGLE ADJUSTMENT
REGLAGE DE LA ZONE ANGLE
BEREICHSWINKELANPASSUNG
REGOLAZIONE ANGOLARE DELLA ZONA DI RILEVAZIONE
AJUSTE DEL ÁNGULO DEL ÁREA

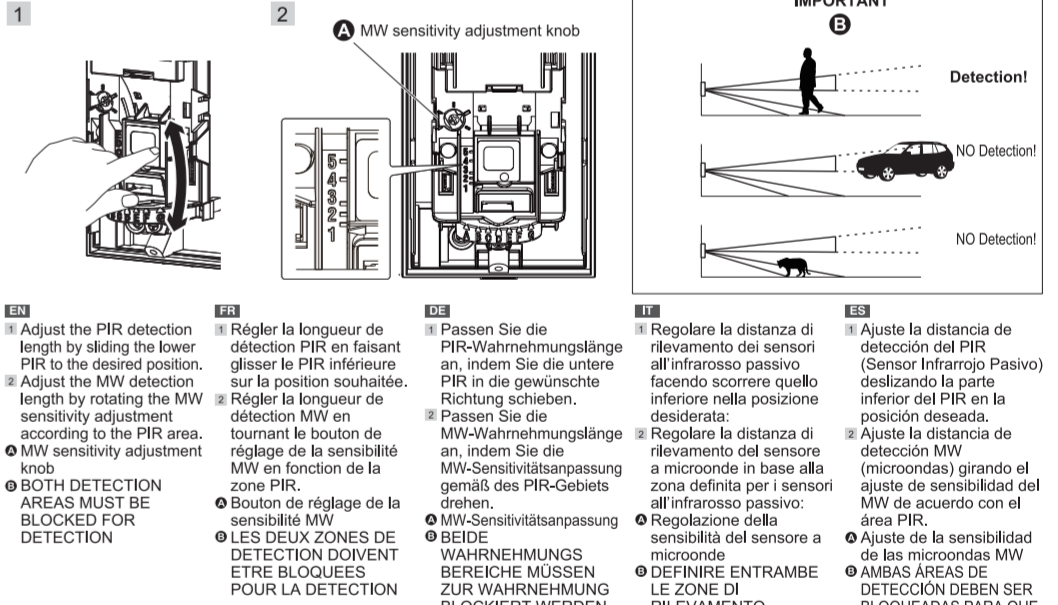


2-8 AREA MASKING
ZONE DE MASQUAGE
BEREICHSMASKIERUNG
MASCHERAMENTO
ÁREA DE ENMASCARAMIENTO

If there is an unwanted object within the detection area, apply an area masking label to the appropriate area. En cas d'objet non désiré au sein de la zone de détection, appliquer une étiquette de zone de masquage dans la zone appropriée.



2-9 DETECTION LENGTH ADJUSTMENT
REGLAGE DE LA LONGUEUR DE DETECTION
WAHRNEHMUNGS-LÄNGEN-ANPASSUNG
REGOLAZIONE DELLA DISTANZA DI RILEVAMENTO
AJUSTE DE LA DISTANCIA DE DETECCIÓN



2-9 Detection length setting chart
Position, Max. detection length, Zone de détection, Max. Wahrnehmungslänge, Distanza massima di rilevamento, Zona di rilevamento, Área de detección.

Detailed table for Detection length setting chart with columns for Position, Max. detection length, Zone de détection, Max. Wahrnehmungslänge, Distanza massima di rilevamento, Zona di rilevamento, Área de detección, and MW sensitivity adjustment.

3 SWITCH SETTING

REGLAGES DES INTERRUPTEURS DIP, IMPOSTAZIONE DEI SELETTORI, AJUSTE DEL COMNUTADOR DIP. Includes diagrams for PIR sensitivity selector, DIP switch 1 (WALK TEST MODE), and DIP switch 2 (BATTERY SAVING TIMER).

WALK TEST MODE, TEST MARCHÉ, MODU PRUEBA DE FUNCIONAMIENTO. Includes diagrams for LED ON, LED OFF, and LED ON/OFF transitions.

Caution >> After completing a walk test, always set the unit to NORM position for operation. Using the unit in TEST mode will shorten the battery life.

BATTERY SAVING TIMER, TEMPO RISPARMIO BATTERIA. Includes diagrams for LED ON and LED OFF with timing diagrams.

ALARM & TROUBLE OUTPUT, SORTIE D'ALARME ET TROUBLE, TIPO USCITA GUASTO. Includes diagrams for LED ON and LED OFF with timing diagrams.

ANTI-MASKING, ANTI-MASKIERUNG, ANTIENMASCARAMIENTO. Includes diagrams for LED ON and LED OFF with timing diagrams.

ANTI-MASKING function, Fonction Antimasquage numérique. Includes diagrams for LED ON and LED OFF with timing diagrams.

ANTI-MASKING function, Fonction Antimasquage numérique. Includes diagrams for LED ON and LED OFF with timing diagrams.

ANTI-MASKING function, Fonction Antimasquage numérique. Includes diagrams for LED ON and LED OFF with timing diagrams.

ANTI-MASKING function, Fonction Antimasquage numérique. Includes diagrams for LED ON and LED OFF with timing diagrams.

MICROWAVE IMMUNITY, IMMUNITÉ MICRO-ONDES, IMMUNITÀ MICROONDAS. Includes diagrams for LED ON and LED OFF with timing diagrams.

PIR SENSITIVITY, SENSIBILITÉ PIR, SENSIBILIDAD PIR. Includes diagrams for LED ON and LED OFF with timing diagrams.

WALK TEST, TEST MARCHÉ, PRUEBA DE FUNCIONAMIENTO. Includes diagrams for LED ON, LED OFF, and LED ON/OFF transitions.

LED INDICATION, LED-ANZEIGE, INDICAZIONI LED. Includes diagrams for LED ON and LED OFF with timing diagrams.

VX1-R < VX1-RAM >, Warm-up, Alarm, Masking detection. Includes diagrams for LED ON and LED OFF with timing diagrams.

VX1-RDAM, Warm-up, Alarm, Masking detection. Includes diagrams for LED ON and LED OFF with timing diagrams.

BATTERY, BATTERIE. Includes diagrams for LED ON and LED OFF with timing diagrams.

HOW TO REPLACE BATTERY, COMMENT REMPLACER LA BATTERIE, WIE MAN EINE BATTERIE AUSWECHSELN. Includes diagrams for LED ON and LED OFF with timing diagrams.

BATTERY LIFE, DURÉE DE VIE DE BATTERIE, DURATA DELLE BATTERIE, VIDA ÚTIL DE LAS BATERIA. Includes diagrams for LED ON and LED OFF with timing diagrams.

Table with columns: Model, Interval 120sec, Interval 5sec, Interval 120sec, Interval 5sec. Rows: CR123A (3 VDC, 1300 mAh), CR2 (3 VDC, 750 mAh), 1/2AA (3.6 VDC, 1000 mAh).

SPECIFICATIONS, SPECIFIKATIONEN, SPECIFICAZIONI, ESPECIFICACIONES. Includes sections for Model, Detection method, PIR coverage, PIR distance limit, Detectable speed, Sensitivity, Power input, Current draw, Alarm period, Warm-up period, Alarm output, Trouble output, LED indicator, RF interference, Operating temperature, Environment humidity, International protection, Mounting, Mounting height, Weight, Accessories.

Table with columns: Model, Detection method, PIR coverage, PIR distance limit, Detectable speed, Sensitivity, Power input, Current draw, Alarm period, Warm-up period, Alarm output, Trouble output, LED indicator, RF interference, Operating temperature, Environment humidity, International protection, Mounting, Mounting height, Weight, Accessories.

Table with columns: Modèle, VX1-R, VX1-RAM, VX1-RDAM. Rows: Méthode de détection, Couverture PIR, Limite de distance PIR, Vitesse détectable, Sensibilité, Alimentation, Consommation de courant, Période d'alarme, Période de chauffe, Sortie d'alarme, Sortie problème, Indicateur LED, Interférences RF, Température de fonctionnement, Humidité, Protection Internationale, Montage, Hauteur de montage, Poids, Accessoires.

Table with columns: Modelo, VX1-R, VX1-RAM, VX1-RDAM. Rows: Método de detección, Cobertura PIR, Límite de distancia PIR, Velocidad detectable, Sensibilidad, Voltaje de operación, Consumo de corriente, Período alarma, Período de calentamiento, Salida alarma, Salida de problemas, Indicador LED, Interferencias RF, Temperatura de trabajo, Humedad ambiente, Protección Internacional, MONTAJE, Altura de montaje, Peso, Accesorios.

DIMENSIONS, MASSE, DIMENSIONI, DIMENSIONES. Includes diagrams for dimensions of the device.

SETTING OF SPECIAL DETECTION AREA, REGLAGE DE LA ZONE DE DETECTION SPECIAL, EINSTELLEN LUNGEN SPEZIELLEN WAHRNEHMUNGSBEREICHE, IMPOSTAZIONE DI ZONE DI RILEVAMENTO SPECIALI, AJUSTE DE UN ÁREA DE DETECCION ESPECIAL. Includes diagrams for setting the detection area.

Using masking seals 2 to 6, you can set a special detection area for the horizontal position A or G. When setting other than masking seal 1, cut off the knockout portion at the lower lens holder.

Masking seal 1, Masking seal 2, Masking seal 3, Masking seal 4, Masking seal 5, Masking seal 6. Includes diagrams for masking seals and their dimensions.

NOTE >>> These units are designed to detect an intruder and activate an alarm control panel. Being only a part of a complete system, we cannot accept responsibility for any damages or other consequences resulting from an intrusion.

OPTEX CO., LTD. (JAPAN) URL: http://www.optex.net/ OPTEX INC. (U.S.) URL: http://www.optexamerica.com/ OPTEX DO BRASIL LTDA, (Brazil) URL: http://www.optex.net.br/es/sc/ OPTEX (EUROPE) LTD. / EMEA HQ (U.K.) URL: http://www.optex.europe.com/ OPTEX TECHNOLOGIES B.V. (The Netherlands) URL: http://www.optex.eu/ OPTEX SECURITY SAS (France) URL: http://www.optex-security.com/ OPTEX (DONGXUAN) CO., LTD. SHANGHAI OFFICE (China) URL: http://www.optexchina.com/ OPTEX PINNACLE INDIA, PVT., LTD. (India) URL: http://www.optex.net.in/es/sc/ OPTEX KOREA CO., LTD. (Korea) URL: http://www.optexkorea.com/ OPTEX SECURITY Sp.z o.o. (Poland) URL: http://www.optex.com.pl/