

4-Port Gigabit PoE+ 1-Port Gigabit RJ45 1-Port Gigabit SFP unmanaged Ethernet Switch

User Manual

Packing List

Please check the following items after unpacking, if any missing, please contact your local dealer.

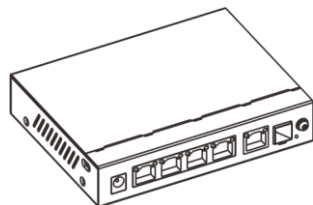
| Items | Quantity |
|--------------------|----------|
| Switch | 1 pc |
| Power Adaptor | 1 pc |
| AC Power Cable | 1 pc |
| Mounting Accessory | 1 set |
| User Manual | 1 pc |

Product Overview

The product is 4-Port Gigabit PoE+ 1-Port Gigabit RJ45 1-Port Gigabit SFP unmanaged Ethernet Switch.

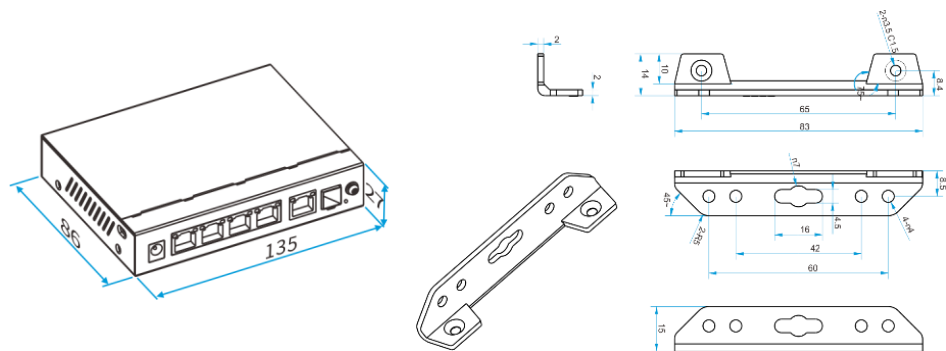
The switch provides 4*10/100/1000Base-T PoE downlink Ethernet RJ-45 ports, 1*10/100/1000Base-T uplink Ethernet RJ-45 port and 1*1000Base-X uplink SFP port.

The switch supports one key smart CCTV mode. Under CCTV mode, it supports PoE watchdog feature, which can detect and restart the camera automatically if it's frozen. It can be widely used in video security monitoring systems, network projects, etc



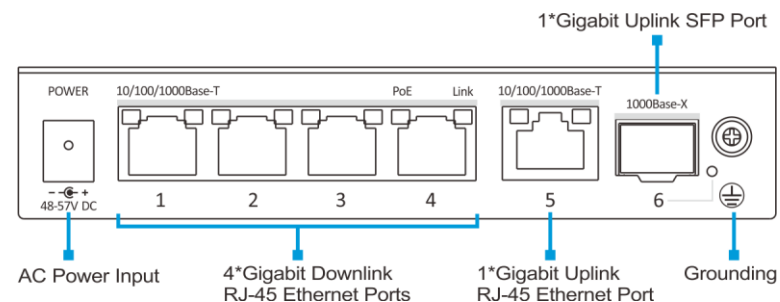
Appearances and Dimensions

Dimensions (mm)

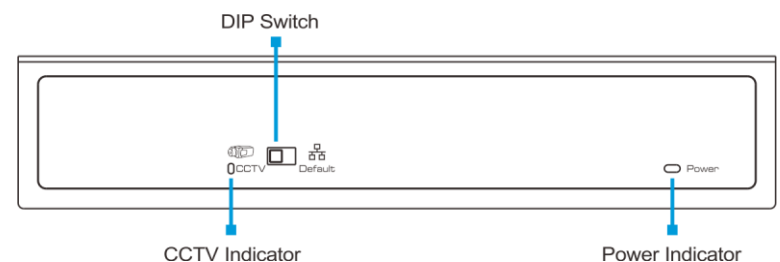


4-Port Gigabit PoE+ 1-Port Gigabit RJ45 1-Port Gigabit SFP unmanaged Ethernet Switch

Front Panel



Rear Panel



Indicators

| Indicators | | Descriptions | |
|------------|---------------------------------------|--------------|---|
| Power | Power Indicator | On | The power is on. |
| | | Off | The power is off. |
| CCTV | CCTV Indicator | On | CCTV mode is on. |
| | | Off | CCTV mode is off. |
| PoE1~4 | Port PoE Indicator | On(Orange) | The port is supplying PoE normally. |
| | | Off | The port stops supplying PoE. |
| Link1~4 | Port Link Indicator | On(Green) | The port is linking normally. |
| | | Blink | The port is transmitting or receiving data. |
| | | Off | The port links down. |
| 5 | Port Link Indicator (Right side only) | On | The port is linking normally. |
| | | Blink | The port is transmitting or receiving data. |
| | | Off | The port links down. |
| 6 | Port Link Indicator | On | The port is linking normally. |
| | | Blink | The port is transmitting or receiving data. |
| | | Off | The port links down. |

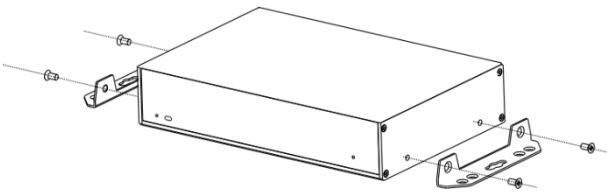


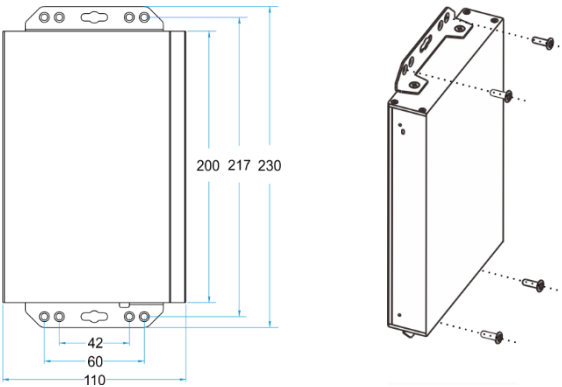
CCTV DIP Switch

| Mode | Descriptions |
|---------|--|
| Default | Default mode. CCTV mode is disabled. |
| CCTV | <ul style="list-style-type: none"> Support VLAN and restraining network storm. All downlink ports are isolated from each other, but can communicate with uplink ports Support PoE Watchdog feature. |

Installation Steps

- 1) Before installation, please disconnect the power supply of each signal source and equipment. Live installation may damage the transmission equipment.
- 2) The switch supports desktop and wall-mounted installations. Users can place it on a clean, stable, grounded workbench, or install it on the vertical, stable wall.

The wall mounted steps are shown in the following table:

| Step 1: Fix the two hangers to the switch. | Accessories |
|---|--|
|  |  2*  4* |
| Step 2: Drill 4 holes on the wall and fix the switch with screws. Please refer to the dimensions as below (unit: mm). | Accessories |
|  | N/A |

- 3) After step 2) is completed, please use Cat5 or better cables to connect the switch and the device.
- 4) Check the installation and the wiring, after confirming that the connection is correct and reliable, power on the switch.

The installation is complete.

CAUTION

- Power on the system only after confirming that the wiring is correct, to avoid damage to the equipment. It is recommended to use the power adapter and AC power cable to in the package to connect the power supply.
- For better transmission performance, it is recommended to use Cat5e or better cables to connect the switch and powered devices.
- For better protection performance, it is recommended always to make the ground connection first and disconnect it at the end when operating the unit.
- Each PoE RJ-45 port can provide a maximum power of 30W for a powered device. Please do not connect to a powered device with a power exceeding 30W.
- Before operating or maintaining the switch, please read the user manual carefully to avoid equipment damage caused by misoperation.

Specifications

| Items | 4-Port Gigabit PoE+ 1-Port Gigabit RJ45 1-Port Gigabit SFP unmanaged Ethernet Switch |
|--------------------------------|---|
| Hardware Specifications | |
| Downlink Ports | 4*10/100/1000Base-T PoE RJ-45 (Auto-MDI/MDI-X) |
| Uplink Ports | 1*10/100/1000Base-T RJ-45 (Auto-MDI/MDI-X) 1*1000Base-X SFP |
| Led Indicators | 1*PWR Indicator, 1*CCTV Mode Indicator, 4*Downlink Port Link Indicators, 4*Downlink Port PoE Indicators, 2*Uplink Port Link Indicator |
| Cable | Cat5 or better |
| Dimensions (W*D*H) | 135mm*86mm*27mm |
| Net Weight | 0.3kg |
| Input Voltage | DC 48~57V |
| Power Consumption | ≤65W (Full load including PoE) |
| Installation | Desktop/wall-mounted |
| Material | Metal shell |
| Switch Property | |
| Forwarding Modes | Store and Forward |
| Switching Capacity | 12Gbps / non-blocking |
| Packet Forwarding Rate | 8.9Mpps |
| MAC Table | 8k, supported auto learning |
| Packet Buffer | 4Mbit |
| PoE | |
| PoE device | Endpoint PSE (Power Sourcing Equipment) |
| PoE Standard | IEEE 802.3af/at |
| PoE Pin Assignment | 1/2(+), 3/6(-) |
| PoE Power Output | 54V DC |
| PoE Budget | 30W max for each port, 60W max for whole switch |
| Standard Conformance | |
| Standards Compliance | IEEE 802.3 Ethernet IEEE 802.3u Fast Ethernet IEEE 802.3ab Gigabit Ethernet IEEE 802.3x Flow Control IEEE 802.3af Power Over Ethernet IEEE 802.3at Power Over Ethernet |
| EMC | |
| EMC | FCC 47 CFR Part 15 Class A EN55032 Class A IEC61000-4-2, Level 3: Contact Discharge: ±6kV, Air Discharge: ±8kV IEC61000-4-3, Level 2: 3V/m IEC61000-4-4, Level 2: 1kV IEC61000-4-5, line to earth: 6kV IEC61000-4-6, Level 2, (0.15MHz~80MHz) |
| LVD | |
| LVD | EN 62368-1:2014 EN 62328-A11:2017 |
| Environments | |
| Operating | Temperature: -5°C~45°C Relative Humidity: 5%~95% (Non-condensation) |
| Storage | Temperature: -40°C~75°C Relative Humidity: 5%~95% (Non-condensation) |
| Certifications | |
| Certifications | CE, FCC |

Version: V1.1, updated 2023.08.01.

The information in this document is subject to change without notice.

Every effort has been made in the preparation of this document to ensure accuracy of the contents, but all statements, information, and recommendations in this document do not constitute a warranty of any kind, express or implied.