

SensoMAG MHB50 Emergency Stop Manual Call Point

EN54-11
EN 12094-3

Description

SensoMAG MHB50 is a manual call point for emergency stopping, or temporary holding and delaying the extinguishing process, providing extra time for evacuation of the protected area.

The call point is designed to work with extinguishing fire control panels and it is suitable for surface indoor mounting. The pressing of a non-latching push button provides the delaying of the extinguishing process on the protected area with a time programmed in advance in the control panel.

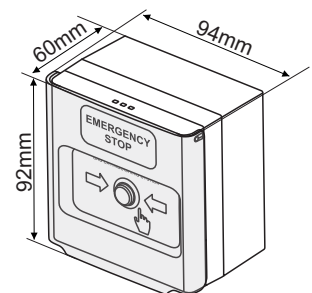
SensoMAG MHB50 is equipped with a transparent protective cover which helps for minimizing the unwanted activation of the call point.



DoP No: 116

Technical and Environmental Specifications

Operating voltage	9 ÷ 30 VDC
Series resistor	N.A
Installation wires	0.4mm ² ÷ 2.0mm ²
Operation temperature	-10°C ÷ +60°C
Relative humidity	≤93% @ +40°C
Operating element	Button, non-latching; Type B
Material (plastic), color	ABS, blue
Degree of protection	IP40
Dimensions (without protective cover)	90x57x90mm
Dimensions (with protective cover)	94x60x92mm
Weight	173g



Packing Information

- **Packing box** - Kit of 1 unit SensoMAG MHB50, 1 unit special tool, 1 protective cover; dimensions 96x96x65 mm
- **Carton box** - 48 kits of SensoMAG MHB50, dimensions 486x295x196 mm

Compatible Product Range

- **IVY** - Extinguishing Conventional Fire Alarm Panel

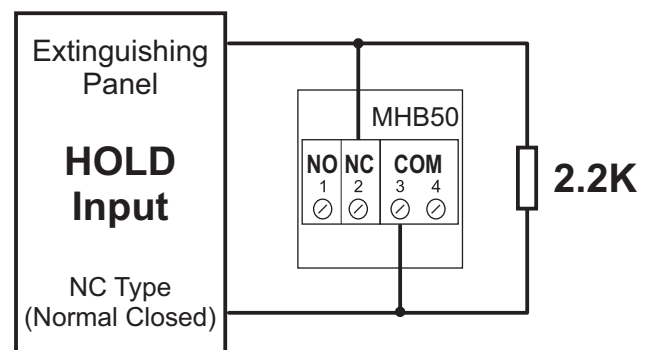
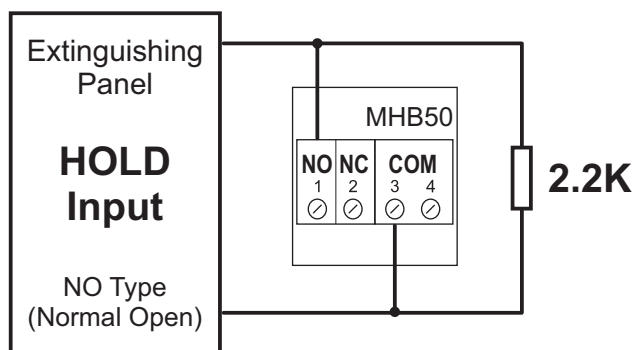
Contact Information:

SensoMAG MHB50 Emergency Stop Manual Call Point

EN54-11
EN 12094-3

● Connection Diagrams

The connection between the extinguishing fire alarm panel and SensoMAG MHB50 call point depends on the type for activation of the panel's HOLD input. Before realizing the connection you have to check the type (NO or NC; "open" or "close" action is set for activation) of the HOLD input of the extinguishing panel.



● Contact Information: