

SensoIRIS WS IS

Addressable Wall Mount Fire Sounder

EN54-3/ 17

Description

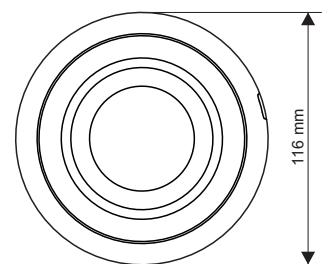
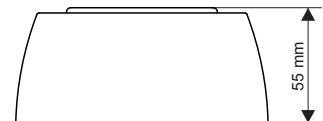
SensoIRIS WS IS is an addressable Wall Mount Sounder designed for installing in addressable fire alarm systems supporting TTE communication protocol. The device is powered on from the panel and can be controlled via the communication protocol. SensoIRIS WS IS is compatible with fire bases B124 for ceiling mounting and WSB IP65 for wall mounting.

Technical and Environmental Specifications

Operating Voltage Range 15 - 32VDC (Nom. 27VDC)
Nominal consumption (stand-by) <500µA@27VDC
Maximal consumption (main tone type 27):
- low volume level, with enabled strobe. . . <5mA
- high volume level, with enabled strobe . . <13mA
Maximal consumption (other tone types):
- low volume level <3mA
- high volume level <10mA
Consumption with activated isolator <15mA
Power volume (main tone type 27):
- low volume ~ 80dB (A) ± 6dB @ 1m
- high volume. ~ 92dB (A) ± 5dB @ 1m
Power volume (other tone types):
- low volume 75-85dB ± 3dB @ 1m
- high volume. 80-95dB ± 3dB @ 1m
Number of tone types 32
Supported communication protocol. TTE
Wire Gauge for terminals 2.5mm²
Relative humidity resistance (93 ± 3)% @ 40°C
Protection IP43C
Weight 183g
Dimensions (without base) 116x55mm
Color red transparent
Material SAN



DoP No: 071



Packing Information

- **Packing box** - 1 unit SensoIRIS WS IS, dimensions 117x120x57 mm.
- **Carton box** - 40 units SensoIRIS WS IS, dimensions 520/250/367 mm.

Compatible Product Range

- **IRIS** - Addressable Fire Panel, 4 loops, 96 zones
- **SIMPO** - Addressable Fire Panel, 2 loops, 48 zones
- **SensoIRIS Programmer** - Address Programming Tool
- **SensoIRIS B124** - Standard Base, indoor mounting
- **SensoIRIS WSB IP65** - Waterproof IP65 Base, outdoor mounting

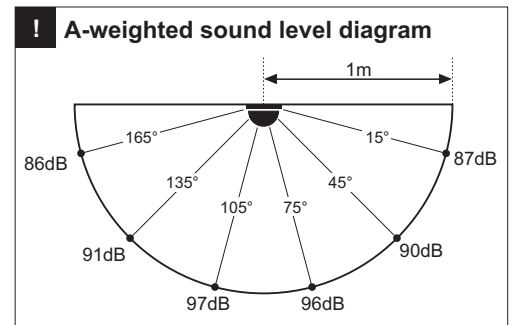
Contact Information:

SensoIRIS WS IS Addressable Wall Mount Fire Sounder

EN54-3/ 17

Supported Tone Types and Description

Tone	Tone Type	Tone Description / Application
1		970Hz
2		800Hz/970Hz @ 2Hz
3		800Hz - 970Hz @ 1Hz
4		970Hz 1s OFF/1s ON
5		970Hz, 0.5s/ 630Hz, 0.5s
6		554Hz, 0.1s/ 440Hz, 0.4s (AFNOR NF S 32 001)
7		500 - 1200Hz, 3.5s/ 0.5s OFF (NEN 2575:2000)
8		420Hz 0.625s ON/0.625s OFF (Australia AS1670 Alert tone)
9		500 - 1200Hz, 0.5s/ 0.5s OFF x 3/1.5s OFF (AS1670 Evacuation)
10		550Hz/440Hz @ 0.5Hz
11		970Hz, 0.5s ON/0.5s OFF x 3/ 1.5s OFF (ISO 8201)
12		2850Hz, 0.5s ON/0.5s OFF x 3/1.5s OFF (ISO 8201)
13		1200Hz - 500Hz @ 1Hz (DIN 33 404)
14		400Hz
15		550Hz, 0.7s/1000Hz, 0.33s
16		1500Hz - 2700Hz @ 3Hz
17		750Hz
18		2400Hz
19		660Hz
20		660Hz 1.8s ON/1.8s OFF
21		660Hz 0.15s ON/0.15s OFF
22		510Hz, 0.25s/ 610Hz, 0.25s
23		800/1000Hz 0.5s each (1Hz)
24		250Hz - 1200Hz @ 12Hz
25		500Hz - 1200Hz @ 0.33Hz
26		2400Hz - 2900Hz @ 9Hz
27		2400Hz - 2900Hz @ 3Hz 2500Hz (main sound frequency)
28		800Hz - 970Hz @ 100Hz
29		800Hz - 970Hz @ 9Hz
30		800Hz - 970Hz @ 3Hz
31		800Hz, 0.25s ON/1s OFF
32		500Hz - 1200Hz, 3.75s/0.25s OFF (AS2220)



Installation

- IP43C (EN54-3)*
IP65 (EN60529)**
- 10°C ÷ +50°C
- ~183g
- Indoor use*
- Outdoor use**

* When used with base B124
** When used with base WSB IP65

Contact Information: