

DSC

D-304682

A Tyco International Company

PG9911/PG8911/PG4911

Supervised Wireless PowerG Outdoor

Siren Installation Instructions

The PGx911 is a fully supervised, 2-way wireless outdoor siren, designed for installation in areas in which wiring action is difficult or impossible.

Features

- Built-in link quality indicators reduce installation time by eliminating the need for the installer to physically approach the alarm controller.
 - Power supply is a single non-rechargeable battery, with an option for a second non-rechargeable battery.
 - Multiple sound types: Burglar (between 1400Hz - 3200Hz), fire, CO and flood.
 - Entry/Exit beep can be enabled via the control panel to sound once the user has armed the system and once the user has entered the protected area.
 - Squawk (beep) sounds can be configured via the control panel to indicate alarm system arming (1 squawk) and disarming (2 squawks) by a wireless key.
 - Double Tamper protection sends a tamper alarm to the system if the siren front panel is removed or if the siren is removed from the wall.
 - Pressing the self-test button momentarily activates the LEDs and sounder indicating the siren is operating correctly.
- Note:** Sounder is activated for a predefined duration according to local requirements, or until the system is disarmed. The strobe light operates as described in the HSM2HOST installation manual.

Operation

- Siren and strobe light activates when an event message is received from the system.
- If the siren is tampered with while armed, the siren transmits a tamper message to the control panel. The control panel determines whether to activate the siren. If the siren does not receive an acknowledge message from the alarm system, the siren functions independently.
- When the battery voltage is low, a low battery message is sent to the alarm system. After message delivery, at least 2 siren alarms are possible before the siren battery is totally depleted.

Device Setup

Caution! To be installed by service persons in non-hazardous locations only. Risk of explosion if battery is replaced by an incorrect type. Observe polarity when installing batteries. Dispose of used batteries according to the manufacturer's instructions and according to local rules and regulations.

WARNING: Batteries are to be replaced by service persons only.

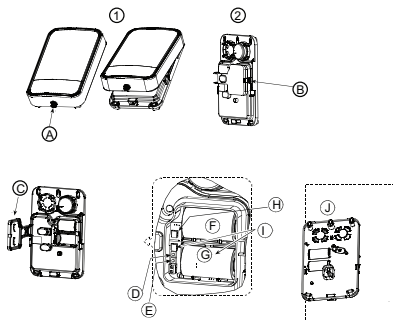
IMPORTANT! The PGx911 siren must be installed on the wall in a vertical position with the screw pointing to the floor only. The importance of correct positioning of the PGx911 is to enable the siren to function as a waterproof device. Ice and snow may block siren openings and affect audibility. Please inspect and clean regularly.

Note: To ensure the continued operation of all wireless devices after performing a system default, a global upload of all wireless programming via DLS is recommended before defaulting the system. After completing the system default, download the wireless programming.

Legend

- A. Cover Screw
- B. Battery Cover Catch
- C. Battery Cover
- D. Self-Test button
- E. Enroll button
- F. Primary battery
- G. Secondary battery
- H. Battery connector
- I. Optional second battery and its connector
- J. Siren rear side

Installing Battery



- Loosen plastic cover screw and remove the cover.
- Release catch (B) and open battery cover (C).
- Connect battery to the proper connectors.

Note: When manually programming wireless devices, if a device has been powered up for more than 48 hours it cannot be enrolled into the system until the device has been tampered and restored. When programming the panel using the Quick Enroll procedure follow the steps detailed in Enroll the Device into the System.

Note: After restoring a low battery trouble the system may take up to 5 minutes to clear the trouble.

Enroll the Device into the System

- To quick enroll:
- On a keypad press [*] [8] [Installer Code] [804] [000].
 - Press and hold the device enroll button until the LED lights steady and then release the enroll button while the LED is still lit. A confirmation message then appears on the keypad.
 - Press [*] key to confirm ID.
 - Enter [3 digit siren #].
 - Enter [1 digit partition #] for all desired partitions and press [#]. If using an LCD keypad you can scroll to the desired partitions and press [*] to toggle the partition.
 - On an LCD keypad enter the label by using word library.

To pre-enroll:

- Remotely configure the unique ID number into the system. For more information see the HSM2HOST manual.
 - When on-site, press the device enroll button.
- Note:** If the wireless device has been powered for more than 48 hours without being enrolled, tamper and restore the device to enroll it.

Local Diagnostics and Placement Test

Before permanently mounting any wireless device it is recommended to mount the device temporarily and perform a Local Diagnostics test.

- Before testing, remove the plastic cover.
- Press the self-test button once and release it; the red LED will switch ON and then OFF, the green LED will switch ON and then OFF, the strobe light will switch ON and then OFF and the piezo siren will sound to indicating that the siren is fully operational.
- After 2 seconds the LED blinks 3 times indicating the signal strength.

The following table indicates the received signal strength.

LED response	Reception
Green LED blinks	STRONG
Orange LED blinks	GOOD
Red LED blinks	POOR
No blinks	No communication

IMPORTANT! Only GOOD or STRONG signal strengths are acceptable. If you receive a POOR signal from the device, re-locate it and re-test until a GOOD or STRONG signal is received.

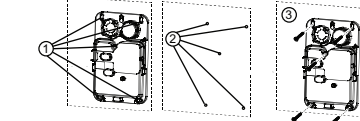
Note: For UL/ULC installations, only STRONG signal levels are acceptable. After installation verify the product functionality in conjunction with the compatible receivers HSM2HOST9, HS2LCDRF(P)9, HS2ICNRF(P)9 and PG9920.

Note: For detailed Placement instructions refer to the control panel Reference Guide.

Mounting the Device

Important: The equipment is FIXED, WALL MOUNT and shall be installed and serviced by SERVICE PERSONS ONLY. The equipment enclosure must be FULLY ASSEMBLED and CLOSED, with all the necessary screws • Instruct the END USER to: DO NOT attempt to service this product; Opening or removing covers may cause exposure to dangerous voltages or other risks. • DO NOT THROW the battery into a fire or water. Disposing the battery in a fire will cause rupture and explosion; DO NOT DISPOSE of the waste

battery as unsorted Thyonil Chloride waste. Consult your local rules and/or laws regarding recycling of this Lithium battery; It will help protect the environment by reducing the number of batteries consumed. Risk of fire OR explosion if the battery is not properly connected; Avoid short circuit; Do not expose batteries to temperatures above 100°C; Do not use water in case of battery leakage. Refer to the MSDS of battery for more details.



- Mark for drilling.
- Drill 5 holes.
- Fasten with 5 supplied screws.

Configuration

To enter the wireless configuration section enter [804][551-566].

[000] **Partition Assignment**

Press the digits of desired assigned partitions.

[001] **Device Toggles**

The following are 8-bit toggles

- 01- Fire - Default [Y]
- 02- CO - Default [Y]
- 03- Burg - Default [Y]
- 04- Flood - Default [Y]
- 06- Auto Tmp Alarm - Default [N]
- 07- Activity LED - Default [N]

[002] **Strobe Alarm - Default [01]**

- 01 - Disabled
- 02 - Timer Limited
- 03 - Until Disarmed

[003] **Exit Entry Beeps - Default [01]**

- 01 - Disabled
- 02 - Enabled
- 03 - Disabled Stay

[004] **Squawk - Default [02]**

- 01 - Disabled
- 02 - Sounder Only
- 03 - Strobe Only
- 04 - Sounder and Strobe

[001][06] **Sounder Volume - Default [02]**

- 01 - Low
- 02 - Medium
- 03 - High

Specifications

Alarm Sound Level: 85 dB at 3 m (10 feet)
Frequency Band (MHz) - CE Listed PG4911: 433MHz; CE/EN (UK) listed PG8911: 868MHz; FCC/IC/UL/ULC listed PG9911: 915MHz

Modulation: GFSK
Antenna: Built-in antenna
Communication Protocol: PowerG

Siren Type: One Piezo 109 db min. Sound Pressure Level @ 1m, 1.4-3.2 kHz, sweep frequency 7 Hz. Additional piezo is optional.

Power Supply: Type C
Battery Type: 3.6V/14.5A/H Lithium battery (EVE ER34615M/w200)

Note: Use only the above battery.
Note: The strobe flashes 5 times and the red LED lights continuously during first battery installation.

Battery Life Expectancy: 8 years (not verified by UL/ULC)
Low Battery Threshold: 2 V +300 mV negative slope OR 1.2 V
Strobe Light: Pulsed @ 1 sec.

Operating Temperature: -33°C to 70°C (-27.4°F to 158°F). RH humidity 93% and IPX4. (UL/ULC only verified up to max 85%/RH)
Dimensions (LxWxD): 295x186x63mm (11-5/8 x 7-5/16 x 2-1/2 in)
Weight (including battery): 970g (34 oz)
Color: White (with red, blue, amber or transparent lens)
Note: To be installed by service persons in non-hazardous locations only

Compatible Receivers

433MHz Band: HSM2HOST4; HS2LCDRF(P)4; HS2ICNRF(P)4; PG4920
868MHz Band: HSM2HOST8; HS2LCDRF(P)8; HS2ICNRF(P)8; PG8920
912-919 MHz Band: HSM2HOST9; HS2LCDRF(P)9; HS2ICNRF(P)9; PG9920
Note: Only devices operating in band 912-919MHz are UL/ULC listed.

Note: Only model PG9911 operating in the frequency band 912-919MHz is UL/ULC listed.

UL/ULC Notes

The PG9911 has been listed by UL/ULC for Residential Burglary / Fire applications in accordance to UL 1023/C1023 Household burglar Alarms system units and UL 985/ULC-S545 Household fire.



Europe: The PG4911 and PG8911 are compliant with the RTTE requirements - Directive 1999/5/EC of the European Parliament and of the Council of 9 March 1999. The PG8911 is certified by DNV (DET NORSK VERITAS) to the following standards: EN50131-4, EN50131-1 GRADE 2, CLASS IV, EN50131-6 Type C, DNV (DET NORSK VERITAS) has certified only the 868 MHz variant of this product.

According to EN 50131-1:2006 and A1:2009, this equipment can be applied in installed systems up to and including Security Grade 2, Environment Class II UK. The PG8911 is suitable for use in systems installed to conform to PD6662:2010 at Grade 2 and environmental class 2. BS2843 The Power G peripheral devices have two-way communication functionality, providing additional benefits as described in the technical brochure. This functionality has not been tested to comply with the respective technical requirements and should therefore be considered outside the scope of the product's certification.

FCC COMPLIANCE STATEMENT

WARNING! Changes or modifications to this unit not expressly approved by the party responsible for compliance could void the user's authority to operate the equipment. This device has been tested and found to comply with the limits for a Class B digital device, pursuant to Part 15 of the FCC Rules. These limits are designed to provide reasonable protection against harmful interference in residential installations. This equipment generates uses and can radiate radio frequency energy and, if not installed and used in accordance with the instructions, may cause harmful interference to radio and television reception.

However, there is no guarantee that interference will not occur in a particular installation. If this device does cause such interference, which can be verified by turning the device off and on, the user is encouraged to eliminate the interference by one or more of the following measures:

- Re-orient or re-locate the receiving antenna.
- Increase the distance between the device and the receiver.
- Connect the device to an outlet on a circuit different from the one that supplies power to the receiver.
- Consult the dealer or an experienced radio/TV technician.

This equipment complies with FCC and IC RF radiation exposure limits set forth for an uncontrolled environment.

WARNING! To comply with FCC and IC RF exposure compliance requirements, the smoke detector should be located at a distance of at least 20 cm from all persons during normal operation. The antennas used for this product must not be co-located or operated in conjunction with any other antennas or transmitter. This device complies with FCC Rules Part 15 and with Industry Canada licence-exempt RSS (standard)s. Operation is subject to the following two conditions: (1) This device may not cause harmful interference, and (2) this device must accept any interference that may be received or that may cause undesired operation.

IC160A - PG9911
The term "IC" before the radio certification number only signifies that Industry Canada technical specifications were met.
Le présent appareil est conforme aux CNR d'Industry Canada applicables aux appareils radio exempts de licence. L'exploitation est autorisée aux deux conditions suivantes : (1) l'appareil ne doit pas produire de brouillage, et (2) l'utilisateur de l'appareil doit accepter tout brouillage radioélectrique subi, même si le brouillage est susceptible d'en compromettre le fonctionnement.

PG9911/PG8911/PG4911

Instructions d'installation de la sirène d'extérieur sans fil surveillée de la gamme PowerG

Le PGx911 est une sirène d'extérieur, bidirectionnelle, sans fil, entièrement surveillée destinée à une installation dans les zones où le câblage est difficile, voire impossible.

Caractéristiques

- Les indicateurs de qualité de la transmission intégrés réduisent les temps d'installation en supprimant la nécessité pour l'installateur d'être physiquement à proximité de la centrale.
 - L'alimentation électrique est fournie par une pile non rechargeable, avec la possibilité d'ajouter une seconde pile non-rechargeable.
 - Différents types de son : Intrusion (entre 1400 Hz et 3200 Hz), incendie, gaz, CO et inondation.
 - Le bip sonore d'entrée/sortie peut être activé par l'intermédiaire de la centrale pour sonner une fois que l'utilisateur a armé le système et une fois qu'il est entré dans la zone protégée.
 - Les tonalités (bips sonores) peuvent être configurées par l'intermédiaire de la centrale pour indiquer l'armement (1 tonalité) et le désarmement (2 tonalités) du système d'alarme à l'aide d'une télécommande.
 - La double protection anti-sabotage transmet une alarme de sabotage au système si le panneau avant de la sirène est retiré ou si la sirène est décrochée du mur.
 - Une pression brève sur le bouton d'autodiagnostic active les voyants et l'avertisseur indiquant que le bon fonctionnement de la sirène.
- Remarque :** L'avertisseur est activé pour une durée prédéfinie selon les exigences locales ou jusqu'à ce que le système soit désarmé. La lampe stroboscopique fonctionne comme décrit dans le manuel d'installation HSM2HOST.

Fonctionnement

- La sirène et la lampe stroboscopique se déclenchent quand un message d'événement est reçu du système d'alarme.
- Si la sirène est sabotée en cas d'armement, la sirène transmet un message de sabotage à la centrale. La centrale détecte s'il convient d'activer la sirène. Si la sirène ne reçoit pas un message

de confirmation du système d'alarme, la sirène fonctionne de façon autonome.

- Quand la tension de batterie est faible, un message de niveau batterie de pile est transmis au système d'alarme. Après la transmission du message, au moins 2 alarmes de la sirène sont possibles avant que la pile de la sirène ne soit complètement épuisée.

Réglage du dispositif

Attention ! À faire installer par un agent de service dans des zones non dangereuses uniquement. Risque d'explosion si la pile n'est pas du type correct. Respecter les polarités lors de l'installation des piles. Éliminer les piles usagées selon les recommandations du fabricant, les lois et réglementations locales.

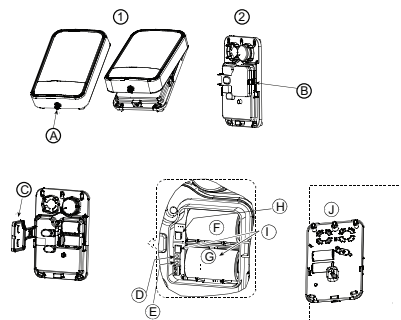
AVERTISSEMENT! Les piles doivent être remplacées uniquement par un agent de service.
IMPORTANT ! La sirène PGx911 doit être installée sur le mur exclusivement en position verticale avec la vis dirigée vers le sol. Il est important de positionner correctement la sirène PX911 pour permettre à la fonction d'étanchéité d'être assurée. Le givre et la neige peuvent bloquer les ouvertures de la sirène et altérer l'audibilité. Veuillez contrôler et nettoyer de façon régulière.

Remarque : Pour garantir le fonctionnement continu de tous les dispositifs sans fil après avoir réalisé une réinitialisation avec les valeurs par défaut, un téléchargement général de toute la programmation sans fil par DLS est recommandé avant de réinitialiser le système. Après avoir complété la réinitialisation aux valeurs par défaut du système, téléchargez la programmation sans fil.

Légende

- A. Vis du couvercle
- B. Verrou du couvercle des piles
- C. Couvercle de la pile
- D. Bouton d'autodiagnostic
- E. Bouton d'attribution
- F. pile primaire
- G. Pile secondaire
- H. Connecteur de la batterie
- I. Seconde pile et son connecteur en option
- J. Face arrière de la sirène

Installation de la batterie



- Desserrez la vis du couvercle en plastique et retirez le couvercle.
 - Libérez le verrou (B) et ouvrez le couvercle des piles (C).
 - Connectez batterie sur les connecteurs appropriés.
- Remarque :** Quand vous programmez manuellement les dispositifs sans fil, si un dispositif a été allumé pendant plus de 48 heures, il ne peut pas être attribué dans le système tant que le dispositif n'a pas été saboté et rétabli.

Attribuez le dispositif dans le système

- Pour une attribution rapide :
- Sur le pavé numérique, appuyez sur [*] [8] [Code de l'installateur] [804] [000].
 - Appuyez de façon prolongée sur le bouton d'attribution du dispositif tant que le voyant lumineux reste allumé, puis relâchez-le bouton d'attribution alors que le voyant lumineux est encore allumé. Un message de confirmation apparaît alors sur le pavé numérique.
 - Appuyez sur la touche [*] pour confirmer le ID.
 - Entrez le [3 sirène chiffres #].

- Entrez le [n° de partition à 1 chiffre#] pour toutes les partitions souhaitées et appuyez sur [#]. Si vous utilisez un pavé numérique à cristaux liquides LCD, vous pouvez faire défiler les partitions souhaitées et appuyer sur [*] pour basculer la partition.
- Sur un pavé numérique LCD, entrez la référence en utilisant la bibliothèque de mot.

Pour une attribution préalable :

- Configurez à distance le numéro ID unique dans le système. Pour plus d'informations, consultez le manuel HSM2HOST.

Umbral de bateria **baja**: 2 V +300 mV de pendiente negativa O 1,2 V

Luz estroboscópica: Pulsado a 1 seg.

Temperatura de operação: -33 °C a 70 °C (-27,4 °F a 158 °F), humedad relativa 93% e IPX4 (verificado por UL/ULC 85% como máximo de humedad relativa)

Dimensões (Largo x Ancho x Fondo): 295x186x63 mm (11-5/8 x 7-5/16 x 2-1/2 pulg.)

Peso (incluyendo batería): 970 g (34 oz)

Color: Blanco (con lente roja, azul, âmbar ou transparente)

Nota: Para ser instalado por personal de servicio técnico solo en ubicaciones no peligrosas

Receptores compatibles

Banda de 433 MHz: HSM2HOST4; HSL2CDRF(P4); HSL2CNRF(P4); PG4920
Banda de 868 MHz: HSM2HOST8; HSL2CDRF(P8); HSL2CNRF(P8); PG8920
Banda de 912-919 MHz: HSM2HOST9; HSL2CDRF(P9); HSL2CNRF(P9); PG9920

Nota: Solo los dispositivos que operan en la banda de 912-919 MHz están homologados por UL/ULC.

Nota: Solo el modelo PG9911 que opera en la banda de frecuencia de 912-919 MHz está homologado por UL/ULC.

Notas UL/ULC

El PG9911 ha sido listado por UL / ULC para aplicaciones Robo Resistente / de fuego de acuerdo con la norma UL 1023 / unidades del sistema C1023 Hogar Alarmas antirrobo y contra incendios UL 985/ULC-S545 hogar.

CE Europa: Los modelos PG4911 y PG8911 cumplen con los requisitos de RTE / Directiva 1999/5/EC del Parlamento Europeo y del Consejo del 9 de marzo de 1999. El modelo PG8911 está certificado por DNV (DET NOROSKE VERITAS) según las siguientes normas: EN50131-4, EN50131-1 GRADO 2, CLASE IV, EN50131-6 Tipo C. DNV (DET NOROSKE VERITAS) ha certificado solamente la versión de 868 MHz de este producto. De acuerdo con las normas EN 50131-1:2006 y A1-2009, este equipo puede ser aplicado en sistemas instalados hasta e incluyendo el Grau 2 de Seguridad, Clase ambiental II. Reino Unido: El modelo PG9911 es adecuado para usar en sistemas instalados para cumplir con PD6662:2010 en el Grado 2 y Clase ambiental 2. BS8243 Los dispositivos periféricos Power G tienen funcionalidad de comunicación de dos vías, lo que proporciona ventajas adicionales como se describen en el folleto técnico. No se ha probado que estas funciones cumplan con los requisitos técnicos correspondientes y, por lo tanto, deberían considerarse fuera del alcance de la certificación del producto.

PG9911/PG8911/PG4911

Instruções de Instalação da Sirene Exterior PowerG sem fio, supervisionada

O modelo PGx911 é uma sirene exterior sem fio 2 vias, totalmente supervisionada, destinada à instalação em zonas nas quais a ação de fiação é difícil ou impossível.

Características

- Os indicadores de qualidade de ligação integrada reduzem o tempo de instalação eliminando a necessidade de o instalador se aproximar do painel de controle.
- A alimentação é com uma só bateria não recarregável, com a opção de uma segunda bateria não recarregável.
- Tipos múltiplos de som: Roubo (entre 1400Hz-3200Hz), incêndio, gás, DC e inundação.
- O bip Entrada/Saída pode ser ativado através do painel de controle para soar sempre que o usuário tiver armado o sistema e sempre que tiver entrado na zona protegida.
- Os sons de apito (bip) podem ser configurados através do painel de controle para indicar o armarmento do sistema de alarme (1 apito) e para desarmar (2 apitos) através do comando portátil.
- A proteção de Bloqueio Duplo envia um alarme de bloqueio para o sistema se o painel frontal da sirene for retirado ou se a sirene for retirada da parede.
- Pressionando o botão de teste automático ativa momentaneamente os LEDs e o receptor acústico indicando se a sirene está funcionando corretamente.

Nota: O receptor acústico é ativado para uma duração predefinida de acordo com os requisitos locais, ou até que o sistema seja desarmado. A luz estroboscópica opera como descrito no manual de instalação do HSM2HOST.

Funcionamento

- A luz da sirene e estroboscópio ativa-se sempre que é recebida uma mensagem do sistema.
- Se a sirene for bloqueada enquanto armada, transmite uma mensagem de bloqueio para o painel de controle. O painel de controle determina se a sirene deve ou não ser ativada. Se a sirene não receber uma mensagem de reconhecimento do sistema de alarme, a sirene funciona independentemente.
- Quando a tensão da bateria está fraca, é enviada uma mensagem de bateria fraca para o sistema de alarme. Depois da entrega da

mensagem, são possíveis pelo menos 2 sirenes de alarme antes da bateria da sirene ficar totalmente esgotada.

Configurar Dispositivo

Cuidado! Deve ser instalada por pessoas qualificadas apenas em locais não perigosos. Risco de explosão se a bateria for substituída por um tipo incorreto. Respeitar a polaridade quando instalar as baterias. A eliminação das baterias usadas deve estar de acordo com as instruções do fabricante e conforme as regulamentações e normas locais.

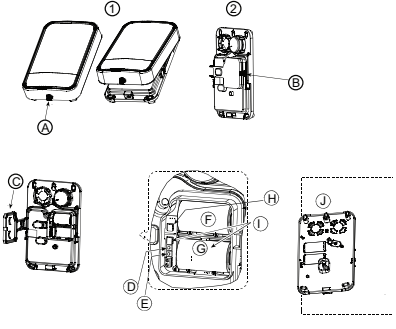
AVISO: Baterias são apenas substituídas por pessoal qualificado. **IMPORTANTE!** A sirene do modelo PGx911 deve ser instalada na parede na posição vertical com o parafuso apontando apenas para o chão. A importância da posição correta do modelo PGx911 é ativar a sirene para funcionar como dispositivo à prova de água. O gelo e a neve podem bloquear as aberturas da sirene e afetar a intensidade acústica. Inspeção e limpe com regularidade.

Nota: Para assegurar a operação continuada de todos los dispositivos inalámbricos después de realizar un puesta del sistema a sus valores predeterminados, se recomienda realizar una carga global de toda la programación inalámbrica vía DLS antes de poner el sistema en sus valores predeterminados. Después de terminar la puesta del sistema a sus valores predeterminados, descargue la programación inalámbrica.

Legenda

- Parafuso da tampa
- Fecho da tampa da bateria
- Tampa da bateria
- Botão de teste automático
- Botão de registro
- Bateria principal
- Bateria secundária
- Conector da bateria
- Bateria secundária opcional e respetivo conector
- Lado traseiro da sirene

Instalar a bateria



- Solte o parafuso da plástico e remova a tampa.
- Solte o fecho (B) e abra a tampa da bateria (C).
- Ligação da bateria para as baterias apropriados.

Nota: Sempre que estiver programando manualmente os dispositivos sem fio, se um dispositivo estiver funcionando durante mais de 48 horas não pode ser registrado no sistema até que o dispositivo seja bloqueado e restaurado.

Nota: Após restaurar um baixo problemas de bateria do sistema pode levar até 5 minutos para limpar o problema.

Registre o dispositivo no sistema

Para o registro rápido:

1. Em um teclado numérico pressione [*] [8] [Código Instalador] [804] [000].
 2. Pressione e mantenha pressionado o botão de registro do dispositivo até que os indicadores LED fiquem fixos e depois solte o botão de registro enquanto o LED continua aceso. Então, aparecerá no teclado numérico uma mensagem de confirmação.
 3. Pressione a tecla [*] para confirmar ID.
 4. Digite [3 sirene dígitos #].
 5. Insira [# partição de 1 dígito] para todas as partições desejadas e pressione [#]. Se estiver usando um teclado numérico LCD, pode se desloca para as partições desejadas e pressionar [*] para comutar a partição.
 6. Em um teclado numérico LCD, insira a etiqueta usando a biblioteca do Word.
- Para pré-registar:
1. Configure remotamente o número de ID exclusivo no sistema. Para mais informação, consulte o manual do HSM2HOST.
 2. Quando no local, pressione o botão de registro do dispositivo. **Nota**: Se o dispositivo sem fio estiver conectado durante mais de 48 horas sem ser registrado, bloqueie e restaure o dispositivo para registrá-lo.

Diagnóstico Local e teste de Colocação

Antes de montar temporariamente qualquer dispositivo sem fio, é recomendado montar temporariamente o dispositivo e realizar um teste de Diagnóstico Local.

1. Antes de testar, remova a tampa plástica.
2. Pressione o botão de auto-teste e solte-o; O LED vermelho ficará ON e depois OFF, o LED verde ficará ON e depois OFF, a luz estroboscópica ficará ON e depois OFF e a sirene piezo soará indicando que está totalmente operacional.
3. Depois de 2 segundos, o LED pisca 3 vezes indicando a intensidade do sinal.

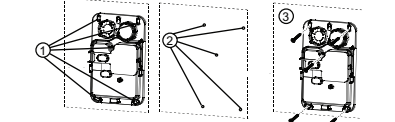
A tabela seguinte indica a intensidade do sinal recebido.

Resposta LED	Recepção
LED verde piscando	FORTE
LED laranja piscando	BOM
LED Vermelho piscando	RUIM
Não pisca	Nenhuma comunicação

IMPORTANTE! Apenas são aceitáveis as intensidades de sinal BOM ou FORTE. Se receber um sinal FRACO do dispositivo, volte a colocar o dispositivo e volte a testar até ser recebido um sinal BOM ou FORTE. **Nota**: Para instalações UL/ULC, apenas são aceitáveis os níveis de sinal FORTE. Depois da instalação, verifique a funcionalidade em conjunto com os receptores compatíveis HSM2HOST9, HSL2CDRF(P9), HSL2CNRF(P9) e PG9920. **Nota**: Para instruções detalhadas de Colocação, consulte o Guia de Referência do painel de controle.

Montar o dispositivo

Importante: O equipamento é FIXO, MONTAGEM NA PAREDE e deve ser instalado e reparado APENAS POR PESSOAS QUALIFICADAS. A caixa do equipamento deve estar TOTALMENTE MONTADA e FECHADA, com todos os parafusos necessários • Dê instrução ao USUÁRIO FINAL para: NÃO tentar reparar este produto; Abrair ou remover as tampas pode originar exposição a voltagens perigosas ou outros riscos. • NÃO DESCARTAR a bateria no fogo ou água. Descartando a bateria no fogo causará ruptura e explosão; NÃO DESCARTAR a bateria usada como resíduo indiferenciado de cloreto de tionila. Consulte as normas e/ou leis locais respeitantes à reciclagem desta bateria de lítio; Ajudará a proteger o ambiente reduzindo a quantidade de baterias consumidas. Risco de incêndio OU explosão se a bateria não for corretamente conectada; Evite o curto-circuito; Não exponha as baterias a temperaturas superiores a 100°C; Não use água na eventualidade de vazamento da bateria. Consulte a FDS da bateria para mais detalhes.



1. Marque para furação.
2. Furar 5 buracos.
3. Aperte com os 5 parafusos fornecidos.

Configuração

Para entrar na seção de configuração sem fio, insira [804][551-566].

- [000] **Atribuição de Partição**
Pressione os dígitos das partições atribuídas desejadas.
- [001] **Comunicações do Dispositivo**
Os seguintes são fechamentos de 8 bits
01 - Incêndio - Predefinido [S]
02 - CO - Predefinido [S]
03 - Roubo - Predefinido [S]
04 - Inundação - Predefinido [S]
06 - Alarme Blq automático - Predefinido [N]
07 - LED de Atividade - Predefinido [N]
- [002] **Alarme Estroboscópico - Predefinido [01]**
01 - Desativado
02 - Temporizador Limitado
03 - Até Desarmado
- [003] **Bips Saída Entrada - Predefinido [01]**
01 - Desativado
02 - Ativado
03 - Presente Desativado
- [004] **Alarme Estroboscópico- Predefinido [02]**

- 01 - Desativado
- 02 - Apenas Receptor Acústico
- 03 - Apenas Estroboscópio
- 04 - Receptor Acústico e Estroboscópio

[001][06] Volume do Receptor Acústico - Predefinido [02]

- 01 - Baixo
- 02 - Médio
- 03 - Alto

Especificações

Nível de som do alarme: 85dB a 3m (10 pés)
Faixa de Frequência (MHz) - PG4911/Classificado CE: 433MHz; PG8911 com classificação CE/EN (RU): 868MHz; PG9911 com classificação FCC/UL/ULC: 915MHz

Modulação: GFSK

Antena: Antena integrada

Protocolo de Comunicação: PowerG

Tipo de sirene: Um Piezo (109db min. Nível de pressão sonora @ 1m, 1,4-3,2kHz, varrido de frequência 7Hz. Piezo adicional é opcional.

Alimentação: Tipo C

Tipo de bateria: Bateria de lítio 3,6V/14,5A/H (EVE ER34615M/ w200)

Nota: Use apenas a bateria mencionada acima.

Nota: O estroboscópio pisca 5 vezes e o LED vermelho acende-se continuamente durante a primeira instalação da bateria.

Duração da bateria: 8 anos (não verificado por UL/ULC)

Límite bateria fraca: 2V + 300mV inclinação negativa OU 1,2V

Luz Estroboscópico: Pulsada a cada 1 seg.

Temperatura de Funcionamento: -33°C a 70°C (-27,4°F a 158°F), umidade RH 93% e IPX4 (UL/ULC verificado mais 85%UR)

Dimensões (CxLxP): 295x186x63mm (11-5/8 x 7-5/16 x 2-1/2 pol)

Peso (com bateria): 970g (34oz)

Cor: Branco (com lente vermelha, azul, âmbar ou transparente)

Nota: Deve ser instalada por pessoas qualificadas apenas em locais não perigosos

Receptores Compatíveis

Faixa 433MHz: HSM2HOST4; HSL2CDRF(P4); HSL2CNRF(P4); PG4920

Faixa 868MHz: HSM2HOST8; HSL2CDRF(P8); HSL2CNRF(P8); PG8920

Faixa 912-919MHz: HSM2HOST9; HSL2CDRF(P9); HSL2CNRF(P9); PG9920

Nota: Apenas os dispositivos operando na faixa 912-919MHz são classificados como UL/ULC.

Nota: Apenas o modelo PG9911 opera em faixa de frequência 912-919 MHz e é classificado UL/ULC.

Notas UL/ULC

O PG9911 foi listado pela UL / ULC para aplicações Roubo Resistente / incêndio, de acordo com UL 1023 / unidades do sistema C1023 Household alarmes de assaltante e fogo UL 985/ULC-S545 Domicílios.

CE Europa: Os modelos PG4911 e PG8911 estão conforme os requisitos RTE / Diretiva 1995/5/EC do Parlamento Europeo e do Conselho de 9 de março 1999. O modelo PG8911 é certificado pela DNV (DET NOROSKE VERITAS) para as seguintes normas: EN50131-4, EN50131-1 GRAU 2, CLASSE IV, EN50131-6 Tipo C. DNV (DET NOROSKE VERITAS) cerificou apenas a variante 868MHz deste produto. Conforme a EN 50131-1:2006 e A1-2009, este equipamento pode ser aplicado em sistemas instalados até e incluindo o Grau 2 de Segurança, Classe II Ambiental. RU: O modelo PG8911 é apropriado para usar em sistemas instalados em conformidade com PD6662:2010 no Grau 2 e classe ambiental 2. BS8243, o periférico Power G tem uma funcionalidade de comunicação em 2 vias, providenciando benefícios adicionais descritos na brochura técnica. Esta funcionalidade não foi testada para estar conforme os respectivos requisitos técnicos e deve, portanto, ser considerada fora do âmbito da certificação do produto.

Limited Warranty
Digital Security Controls warrants that for a period of 12 months from the date of purchase, the product shall be free of defects in materials and workmanship under normal use and that in fulfillment of any breach of such warranty, Digital Security Controls shall, at its option, repair or replace the defective equipment upon return of the equipment to its repair depot. This warranty applies only to defects in parts and workmanship and not to damage incurred in shipping or handling, or damage due to causes beyond the control of Digital Security Controls such as lightning, excessive voltage, mechanical shock, water damage, or damage arising out of abuse, alteration or improper application of the equipment.
The foregoing warranty shall apply only to the original buyer, and is and shall be in lieu of any and all other warranties, whether expressed or implied and of all other obligations or liabilities on the part of Digital Security Controls. Digital Security Controls neither assumes responsibility for, nor authorizes any other person purporting to act on its behalf to modify or to change this warranty, not to assume for it any other warranty or liability concerning this product.
In no event shall Digital Security Controls be liable for any direct, indirect or consequential damages, loss of anticipated profits, loss of time or any other losses incurred by the buyer in connection with the purchase, installation or operation or failure of this product.
Warning: Digital Security Controls recommends that the entire system be completely tested on a regular basis. However, despite frequent testing, and due to, but not limited to, criminal tampering or electrical disruption, it is possible for this product to fail to perform as expected.
Important Information: Changes or modifications not expressly approved by Digital Security Controls could void the user's authority to operate this equipment.

IMPORTANT - READ CAREFULLY: DSC Software purchased with or without Products and Components is copyrighted and is purchased under the following license terms:

- This End-User License Agreement ("EULA") is a legal agreement between You (the company, individual or entity who acquired the Software and any related Hardware) and Digital Security Controls, a division of Tyco Safety Products Canada Ltd. ("DSC"), the manufacturer of the integrated security systems and the of the software and any related products or components ("HARDWARE") which You acquired.
- If the DSC Software product ("SOFTWARE PRODUCT" or "SOFTWARE") is intended to be accompanied by HARDWARE, and is NOT accompanied by new HARDWARE, You may not use, copy or install the SOFTWARE PRODUCT. The SOFTWARE PRODUCT includes computer software, and may include associated media, printed materials, and "online" or electronic documentation.

• Any software provided along with the SOFTWARE PRODUCT that is associated with a separate end-user license agreement is licensed to You under the terms of that license agreement.

- By installing, copying, downloading, storing, accessing or otherwise using the SOFTWARE PRODUCT, You agree unconditionally to be bound by the terms of this EULA, even if this EULA is deemed to be a modification of any previous arrangement or contract. If You do not agree to the terms of this EULA, DSC is unwilling to license the SOFTWARE PRODUCT to You, and You have no right to use it. LICENSE

The SOFTWARE PRODUCT is protected by copyright laws and international copyright treaties, as well as other intellectual property laws and treaties. The SOFTWARE PRODUCT is licensed, not sold.

1. GRANT OF LICENSE: This EULA grants You the following rights:
(a) Software Installation and Use. For each license You acquire, You may have only one copy of the SOFTWARE PRODUCT installed.

(b) Storage/Network Use - The SOFTWARE PRODUCT may not be installed, accessed, displayed, stored, shared or used concurrently on or from different computers, including a workstation, terminal or other digital electronic device ("Device"). In other words, if You have several workstations, You will have to acquire a license for each workstation where the SOFTWARE will be used.

- (c) Backup Copy - You may make back-up copies of the SOFTWARE PRODUCT, but You may only have one copy per license installed at any given time. You may use the back-up copy solely for archival purposes. Except as expressly provided in this EULA, You may not make multiple copies of the SOFTWARE PRODUCT, including the printed materials accompanying the SOFTWARE.

2. DESCRIPTION OF OTHER RIGHTS AND LIMITATIONS
(a) Limitations on Reverse Engineering, Decompilation and Disassembly - You may not reverse engineer, decompile, or disassemble the SOFTWARE PRODUCT, except only to the extent that such reverse engineering is permitted by applicable law notwithstanding this limitation. You may not make any changes or modifications to the Software, without the written permission of an officer of DSC.

You may not remove any proprietary notices, marks or labels from the Software Product. You shall institute reasonable measures to ensure compliance with the terms and conditions of this EULA.

(b) Separation of Components - The SOFTWARE PRODUCT is licensed as a single product. Its component parts may not be separated for use on more than one HARDWARE unit.

(c) Single INTEGRATED PRODUCT - If You acquired the SOFTWARE with HARDWARE, then the SOFTWARE PRODUCT is licensed with the HARDWARE as a single integrated product. In this case, the SOFTWARE PRODUCT may only be used with the HARDWARE as set forth in this EULA.

(d) Rental - You may not rent, lease or lend the SOFTWARE PRODUCT. You may not make it available to others or post it on a server or web site.

(e) Software Product Transfer - You may transfer all of Your rights under this EULA only as part of a permanent sale of the HARDWARE, provided You retain no copies. You transfer all of a SOFTWARE PRODUCT (including all component parts, the media and printed materials, any upgrades and this EULA), and provided the recipient agrees to the terms of this EULA. If the SOFTWARE PRODUCT is an upgrade, any transfer must also include all prior versions of the SOFTWARE PRODUCT.

(f) Termination - Without prejudice to any other rights, DSC may terminate this EULA if You fail to comply with the terms and conditions of this EULA. In such event, You may destroy all copies of the SOFTWARE PRODUCT and all of its component parts.

(g) Trademarks - This EULA does not grant You any rights in connection with any trademarks or service marks of DSC or its suppliers.

3. COPYRIGHT - All title and intellectual property rights in and to the SOFTWARE PRODUCT (including but not limited to any images, photographs, and text incorporated into the SOFTWARE PRODUCT), the accompanying printed materials, and any copies of the SOFTWARE PRODUCT, are owned by DSC or its suppliers. You may not copy, reproduce, distribute, or otherwise use the SOFTWARE PRODUCT. All title and intellectual property rights in and to the content which may be accessed through use of the SOFTWARE PRODUCT are the property of the respective content owner and may be protected by applicable copyright or other intellectual property laws and treaties. This EULA grants You no rights to use such content. All rights not expressly granted under this EULA are reserved by DSC and its suppliers.

4. EXPORT RESTRICTIONS - You agree that You will not export or re-export the SOFTWARE PRODUCT to any country, person, or entity subject to Canadian export restrictions.

5. CHOICE OF LAW - This Software License Agreement is governed by the laws of the Province of Ontario, Canada.

6. ARBITRATION - All disputes arising in connection with this Agreement shall be determined by final and binding arbitration in accordance with the Arbitration Act, and the parties agree to be bound by the arbitrator's decision. The place of arbitration shall be Toronto, Canada, and the language of the arbitration shall be English.

7. LIMITED WARRANTY
(a) NO WARRANTY - DSC PROVIDES THE SOFTWARE "AS IS" WITHOUT WARRANTY. DSC DOES NOT WARRANT THAT THE SOFTWARE WILL MEET YOUR REQUIREMENTS OR THAT OPERATION OF THE SOFTWARE WILL BE UNINTERRUPTED OR ERROR-FREE.

(b) CHANGES IN OPERATING ENVIRONMENT - DSC shall not be responsible for problems caused by changes in the operating characteristics of the HARDWARE or for problems in the interaction of the SOFTWARE PRODUCT with non-DSC SOFTWARE or HARDWARE PRODUCTS.

(c) LIMITATION OF LIABILITY; WARRANTY REFLECTS ALLOCATION OF RISK - IN ANY EVENT, IF ANY STATE/UTE IMPLIES WARRANTIES OR CONDITIONS NOT STATED IN THIS LICENSE AGREEMENT, DSC'S ENTIRE LIABILITY UNDER ANY PROVISION OF THIS LICENSE AGREEMENT SHALL BE LIMITED TO THE GREATER OF THE AMOUNT ACTUALLY PAID BY YOU TO LICENSE THE SOFTWARE PRODUCT AND FIVE CANADIAN DOLLARS (CAD\$5.00), BECAUSE SOME JURISDICTIONS DO NOT ALLOW THE EXCLUSION OR LIMITATION OF LIABILITY FOR CONSEQUENTIAL OR INCIDENTAL DAMAGES, THE ABOVE LIMITATION MAY NOT APPLY TO YOU.

(d) DISCLAIMER OF WARRANTIES - THIS WARRANTY CONTAINS THE ENTIRE WARRANTY AND SHALL BE IN LIEU OF ANY AND ALL OTHER WARRANTIES, WHETHER EXPRESSED OR IMPLIED (INCLUDING ALL IMPLIED WARRANTIES OF MERCHANTABILITY OR FITNESS FOR A PARTICULAR PURPOSE) AND OF ALL OTHER OBLIGATIONS OR LIABILITIES ON THE PART OF DSC. DSC MAKES NO OTHER WARRANTIES. DSC NEITHER ASSUMES NOR AUTHORIZES ANY OTHER PERSON PURPORTING TO ACT ON ITS BEHALF TO MODIFY OR TO CHANGE THIS WARRANTY, NOR TO ASSUME FOR IT ANY OTHER WARRANTY OR LIABILITY CONCERNING THIS SOFTWARE PRODUCT.

(e) EXCLUSIVE REMEDY AND LIMITATION OF WARRANTY - UNDER NO CIRCUMSTANCES SHALL DSC BE LIABLE FOR ANY SPECIAL, INCIDENTAL, CONSEQUENTIAL OR INDIRECT DAMAGES BASED UPON BREACH OF WARRANTY, BREACH OF CONTRACT, NEGLIGENCE, STRICT LIABILITY, OR ANY OTHER LEGAL THEORY. SUCH DAMAGES INCLUDE, BUT ARE NOT LIMITED TO, LOSS OF PROFITS, LOSS OF THE SOFTWARE PRODUCT OR ANY ASSOCIATED EQUIPMENT, COST OF CAPITAL, COST OF SUBSTITUTE OR REPLACEMENT EQUIPMENT, FACILITIES OR SERVICES, DOWN TIME, PURCHASERS TIME, THE CLAIMS OF THIRD PARTIES, INCLUDING CUSTOMERS, AND INJURY TO PROPERTY.

WARNING: DSC recommends that the entire system be completely tested on a regular basis. However, despite frequent testing, and due to, but not limited to, criminal tampering or electrical disruption, it is possible for this SOFTWARE PRODUCT to fail to perform as expected.

