

# PC5208 v1.0 Installation Instructions

## 8 Low Current Output Module

This installation sheet shall be used in conjunction with the Installation Manual (P/N: 29008247) of the DSC equipment to which the PC5208 is connected (e.g. alarm controller, power supply, etc.).

The PC5208 module can be used to add up to 8 low-current programmable outputs to the compatible DSC Alarm Controllers, models PC5015, PC1864, PC1832 and PC1616.

### General

This product meets the requirements of Class II, Grade 2 equipment as per EN50131-1:2006 + A1:2009, EN50131-3:2009 Type A Standard.

### Specifications

- Temperature range: -10°C to + 55°C (0°C to + 49°C for US and Canada)
- Relative Humidity: 93% non condensing
- Input ratings: 12Vdc/700mA (provided by the alarm controller or separate limited power supply)
- Board current draw: 50mA (set and unset state/alarm and non-alarm state)
- Board dimensions: 45mm x 92mm
- AUX output ratings: 12Vdc, -15%/ +15% when Input voltage is between 85% to 110% of rated value and output current is between 0mA - 250mA max. (in addition to 400mA for PGM)
- PGM outputs: Open collector, switched to ground, 50mA max
- Resettable fuse (PTC) used on circuit board instead of replaceable fuses. There are no serviceable parts

### Terminal Descriptions

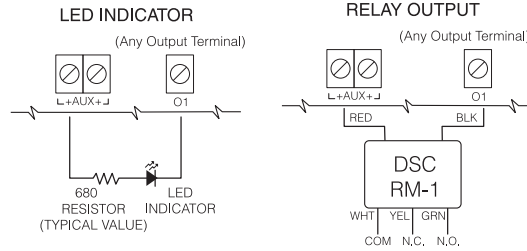
**TAM** - This can be used to tamper the cabinet in which the PC5208 is mounted. Connect a normally closed (NC) switch across TAM and BLK. If the tamper is not being used connect a piece of wire across TAM and BLK to remove the trouble condition.

**NOTE:** There is a built-in tamper switch on the expander module located in the top left corner of the circuit board. If the cabinet used to mount the PC5208 Output Module has the hardware required to depress this tamper switch then DO NOT connect anything to the TAM terminal.

**+AUX+** - There are two terminals for AUX power to provide easier wiring. These terminals are used to provide power for devices. Maximum current draw is not to exceed 250 mA. Connect the positive lead of powered devices to either AUX+ and the negative to the proper output terminal (O1 to O8).

**KEYBUS** - The 4 wire KEYBUS connection is used by the panel to communicate with the module. Connect the RED, BLK, YEL and GRN terminals to the KEYBUS terminals on the main control.

**O1 to O8** - Wire the positive lead of the device to either AUX terminal and the negative lead to the required output terminal (O1 to O8). The following are examples of how to wire various devices to the outputs:



### Enclosures

The PC5208 may be installed within the same metallic cabinet as the alarm controller/power supply (model Power UC1, PC5003C) or in a separate enclosure (model PC4003C). Internal and/or external wiring for this module shall be routed, supported, clamped or secured in a manner that reduces the likelihood of: excessive strain on wire and on terminal connections; loosening of terminal connections; and damage of conductor insulation.

The PC5208 can be installed in the metal enclosures listed below. Tamper protection switches can be installed on all enclosures, including door opening protection and/or removal from the mounting position. Doors can be secured using screws or keylock.

- Model PC5003C (removable door) made of 22Ga steel, painted, dimensions: 248mm(L) x 298mm(W) x 76mm(H), weight: 1500g.
- Model PC5003C (hinged door) made of 1.2mm thick steel, painted, dimensions: 248mm(L) x 298mm(W) x 76mm(H), weight: 2500g
- Model Power UC1 made of 18Ga steel, painted, dimensions: 315mm(L) x 319mm(W) x 100mm(H), weight: 3150g.
- Model PC4003C made of 18Ga steel, painted, dimensions: 230mm(L) x 180mm(W) x 75mm(D), weight 1050g.

**NOTE:** The Model PC5208 Output Module has been certified by Telefication according to EN50131-1:2006 + A1:2009 for Grade 2, Class II when installed in the PC5003C (removable door) enclosure.

### LIMITED WARRANTY

Digital Security Controls (DSC) warrants that for a period of twelve months from the date of purchase, the product shall be free of defects in materials and workmanship under normal use and that in fulfillment of any breach of such warranty, DSC shall, at its option, repair or replace the defective equipment upon return of the equipment to its factory. This warranty applies only to defects in parts and workmanship and not to damage incurred in shipping or handling, or damage due to causes beyond the control of DSC such as lightning, excessive voltage, mechanical shock, water damage, or damage arising out of abuse, alteration or improper application of the equipment.

The foregoing warranty shall apply only to the original buyer, and is and shall be in lieu of any and all other warranties, whether expressed or implied and of all other obligations or liabilities on the part of DSC. This warranty contains the entire warranty. Digital Security Controls neither assumes responsibility for, nor authorizes any other person purporting to act on its behalf to modify or to change this warranty, nor to assume for it any other warranty or liability concerning this product. In no event shall DSC be liable for any direct or indirect or consequential damages, loss of anticipated profits, loss of time or any other losses incurred by the buyer in connection with the purchase, installation or operation or failure of this product.

**Warning:** Digital Security Controls recommends that the entire system be completely tested on a regular basis. However, despite frequent testing, and due to, but not limited to, criminal tampering or electrical disruption, it is possible for this product to fail to perform as expected.

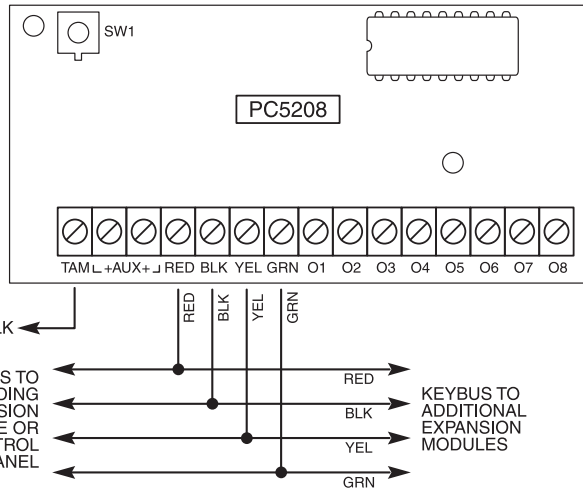
### FCC COMPLIANCE STATEMENT

**CAUTION:** Changes or modifications not expressly approved by DSC could void your authority to use this equipment.

This equipment generates and uses radio frequency energy and if not installed and used properly, in strict accordance with the manufacturer's instructions, may cause interference to radio and television reception. It has been type tested and found to comply with the limits for Class B device in accordance with the specifications in Subpart "B" of Part 15 of FCC Rules, which are designed to provide reasonable protection against such interference in any residential installation. However, there is no guarantee that interference will not occur in a particular installation. If this equipment does cause interference to television or radio reception, which can be determined by turning the equipment off and on, the user is encouraged to try to correct the interference by one or more of the following measures:

- Re-orient the receiving antenna
- Relocate the alarm control with respect to the receiver
- Move the alarm control away from the receiver
- Connect the alarm control into a different outlet so that alarm control and receiver are on different circuits.

If necessary, the user should consult the dealer or an experienced radio/television technician for additional suggestions. The user may find the following booklet prepared by the FCC useful: "How to Identify and Resolve Radio/Television Interference Problems". This booklet is available from the U.S. Government Printing Office, Washington D.C. 20402, Stock # 004-000-00345-4.



29007167R005

### IMPORTANT - READ CAREFULLY: DSC SOFTWARE PURCHASED WITH OR WITHOUT PRODUCTS AND COMPONENTS IS COPYRIGHTED AND IS PURCHASED UNDER THE FOLLOWING LICENSE TERMS:

This End-User License Agreement ("EULA") is a legal agreement between You (the company, individual or entity who acquired the Software and any related Hardware) and Digital Security Controls, a division of Tyco Safety Products Canada Ltd. ("DSC"), the manufacturer of the integrated security systems and the developer of the software and any related products or components ("HARDWARE") which you acquired. If the DSC software product ("SOFTWARE PRODUCT" or "SOFTWARE") is intended to be accompanied by HARDWARE, and is NOT accompanied by new HARDWARE. You may not use, copy or install the SOFTWARE PRODUCT. The SOFTWARE PRODUCT includes computer software, and may include associated media, printed materials, and "online" or electronic documentation. Any software provided along with the SOFTWARE PRODUCT that is associated with a separate end-user license agreement is licensed to You under the terms of that license agreement.

By installing, copying, downloading, storing, accessing or otherwise using the SOFTWARE PRODUCT, You agree unconditionally to be bound by the terms of this EULA, even if this EULA is deemed to be a modification of any previous arrangement or contract. If you do not agree to the terms of this EULA, DSC is unwilling to license the SOFTWARE PRODUCT to You, and You have no right to use it.

### SOFTWARE PRODUCT LICENSE

The SOFTWARE PRODUCT is protected by copyright laws and international copyright treaties, as well as other intellectual property laws and treaties. The SOFTWARE PRODUCT is licensed, not sold.

1. GRANT OF LICENSE This EULA grants You the following rights:

- (a) Software Installation and Use - For each license You acquire, You may have only one copy of the SOFTWARE PRODUCT installed.
- (b) Storage/Network Use - The SOFTWARE PRODUCT may not be installed, accessed, displayed, run, shared or used concurrently on or from different computers, including a workstation, terminal or other digital electronic device ("Device"). In other words, if You have several workstations, You will have to acquire a license for each workstation where the SOFTWARE will be used.
- (c) Backup Copy - You may make back-up copies of the SOFTWARE PRODUCT, but You may only have one copy per license installed at any given time. You may use the back-up copy solely for archival purposes. Except as expressly provided in this EULA, You may not otherwise make copies of the SOFTWARE PRODUCT, including the printed materials accompanying the SOFTWARE.

2. DESCRIPTION OF OTHER RIGHTS AND LIMITATIONS

- (a) Limitations on Reverse Engineering, Decompilation and Disassembly - You may not reverse engineer, decompile, or disassemble the SOFTWARE PRODUCT, except and only to the extent that such activity is expressly permitted by applicable law notwithstanding this limitation. You may not make any changes or modifications to the Software, without the written permission of an officer of DSC. You may not remove any proprietary notices, marks or labels from the Software Product. You shall institute reasonable measures to ensure compliance with the terms and conditions of this EULA.
- (b) Separation of Components - The SOFTWARE PRODUCT is licensed as a single product. Its component parts may not be separated for use on more than one HARDWARE unit.
- (c) Single INTEGRATED PRODUCT - If You acquired this SOFTWARE with HARDWARE, then the SOFTWARE PRODUCT is licensed with the HARDWARE as a single integrated product. In this case, the SOFTWARE PRODUCT may only be used with the HARDWARE as set forth in this EULA.
- (d) Rental - You may not rent, lease or lend the SOFTWARE PRODUCT. You may not make it available to others or post it on a server or web site.
- (e) Software Product Transfer - You may transfer all of Your rights under this EULA only as part of a permanent sale or transfer of the HARDWARE, provided You retain no copies, You transfer all of the SOFTWARE PRODUCT (including all component parts, the media and printed materials, any upgrades and this EULA), and provided the recipient agrees to the terms of this EULA. If the SOFTWARE PRODUCT is an upgrade, any transfer must also include all prior versions of the SOFTWARE PRODUCT.
- (f) Termination - Without prejudice to any other rights, DSC may terminate this EULA if You fail to comply with the terms and conditions of this EULA. In such event, You must destroy all copies of the SOFTWARE PRODUCT and all of its component parts.
- (g) Trademarks - This EULA does not grant You any rights in connection with any trademarks or service marks of DSC or its suppliers.
- 3. COPYRIGHT - All title and intellectual property rights in and to the SOFTWARE PRODUCT (including but not limited to any images, photographs, and text incorporated into the SOFTWARE PRODUCT), the accompanying printed materials, and any copies of the SOFTWARE PRODUCT, are owned by DSC or its suppliers. You may not copy the printed materials accompanying the SOFTWARE PRODUCT. All title and intellectual property rights in and to the content which may be accessed through use of the SOFTWARE PRODUCT are the property of the respective content owner and may be protected by applicable copyright or other intellectual property laws and treaties. This EULA grants You no rights to use such content. All rights not expressly granted under this EULA are reserved by DSC and its suppliers.

- 4. EXPORT RESTRICTIONS - You agree that You will not export or re-export the SOFTWARE PRODUCT to any country, person, or entity subject to Canadian export restrictions.
- 5. CHOICE OF LAW - This Software License Agreement is governed by the laws of the Province of Ontario, Canada.
- 6. ARBITRATION - All disputes arising in connection with this Agreement shall be determined by final and binding arbitration in accordance with the Arbitration Act, and the parties agree to be bound by the arbitrator's decision. The place of arbitration shall be Toronto, Canada, and the language of the arbitration shall be English.

### 7. LIMITED WARRANTY

- (a) NO WARRANTY - DSC PROVIDES THE SOFTWARE "AS IS" WITHOUT WARRANTY. DSC DOES NOT WARRANT THAT THE SOFTWARE WILL MEET YOUR REQUIREMENTS OR THAT OPERATION OF THE SOFTWARE WILL BE UNINTERRUPTED OR ERROR-FREE.
- (b) CHANGES IN OPERATING ENVIRONMENT - DSC shall not be responsible for problems caused by changes in the operating characteristics of the HARDWARE, or for problems in the interaction of the SOFTWARE PRODUCT with non-DSC-SOFTWARE or HARDWARE PRODUCTS.
- (c) LIMITATION OF LIABILITY; WARRANTY REFLECTS ALLOCATION OF RISK - IN ANY EVENT, IF ANY STATUTE IMPLIES WARRANTIES OR CONDITIONS NOT STATED IN THIS LICENSE AGREEMENT, DSC'S ENTIRE LIABILITY UNDER ANY PROVISION OF THIS LICENSE AGREEMENT SHALL BE LIMITED TO THE GREATER OF THE AMOUNT ACTUALLY PAID BY YOU TO LICENSE THE SOFTWARE PRODUCT AND FIVE CANADIAN DOLLARS (CAD\$5.00). BECAUSE SOME JURISDICTIONS DO NOT ALLOW THE EXCLUSION OR LIMITATION OF LIABILITY FOR CONSEQUENTIAL OR INCIDENTAL DAMAGES, THE ABOVE LIMITATION MAY NOT APPLY TO YOU.
- (d) DISCLAIMER OF WARRANTIES - THIS WARRANTY CONTAINS THE ENTIRE WARRANTY AND SHALL BE IN LIEU OF ANY AND ALL OTHER WARRANTIES, WHETHER EXPRESSED OR IMPLIED (INCLUDING ALL IMPLIED WARRANTIES OF MERCHANTABILITY OR FITNESS FOR A PARTICULAR PURPOSE) AND OF ALL OTHER OBLIGATIONS OR LIABILITIES ON THE PART OF DSC. DSC MAKES NO OTHER WARRANTIES. DSC NEITHER ASSUMES NOR AUTHORIZES ANY OTHER PERSON PURPORTING TO ACT ON ITS BEHALF TO MODIFY OR TO CHANGE THIS WARRANTY, NOR TO ASSUME FOR IT ANY OTHER WARRANTY OR LIABILITY CONCERNING THIS SOFTWARE PRODUCT.
- (e) EXCLUSIVE REMEDY AND LIMITATION OF WARRANTY - UNDER NO CIRCUMSTANCES SHALL DSC BE LIABLE FOR ANY SPECIAL, INCIDENTAL, CONSEQUENTIAL OR INDIRECT DAMAGES BASED UPON BREACH OF WARRANTY, BREACH OF CONTRACT, NEGLIGENCE, STRICT LIABILITY, OR ANY OTHER LEGAL THEORY. SUCH DAMAGES INCLUDE, BUT ARE NOT LIMITED TO, LOSS OF PROFITS, LOSS OF THE SOFTWARE PRODUCT OR ANY ASSOCIATED EQUIPMENT, COST OF CAPITAL, COST OF SUBSTITUTE OR REPLACEMENT EQUIPMENT, FACILITIES OR SERVICES, DOWN TIME, PURCHASERS TIME, THE CLAIMS OF THIRD PARTIES, INCLUDING CUSTOMERS, AND INJURY TO PROPERTY. WARNING: DSC recommends that the entire system be completely tested on a regular basis. However, despite frequent testing, and due to, but not limited to, criminal tampering or electrical disruption, it is possible for this SOFTWARE PRODUCT to fail to perform as expected.

### INDUSTRY CANADA STATEMENT

CAN-ICES-3(B)/NMB-3(B)



From Tyco Security Products



© 2015 Tyco Security Products. All Rights Reserved.  
Tech. Support: 1-800-387-3630 (Canada & U.S.), 905-760-3000  
Toronto, Canada • www.dsc.com

## PC5208 v1.0 Instructions d'installation

### Module d'extension de 8 zones

CE MANUEL SERA EMPLOYÉ AVEC LE MANUEL D'INSTALLATION DE CENTRAL.

Le PC5208 peut être utilisé pour ajouter au Central PC5015/PC1616/PC1832/PC1864 un maximum de 8 sorties programmables faible intensité. Cette feuille d'installation doit être utilisée avec le manuel d'installation (P/N: 29008251) du matériel auquel le PC5208 est connecté et/ou alimenté (par exemple, contrôleurs d'alarme, module d'alimentation, etc.).

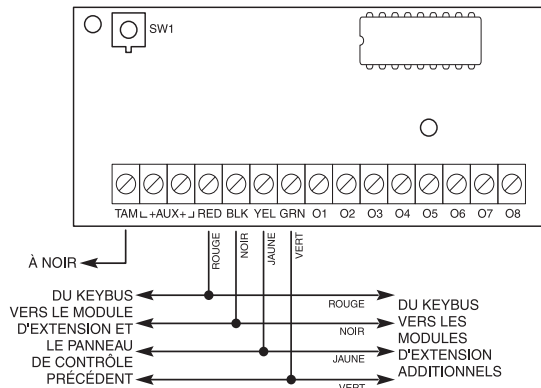
### Général

Ce produit est conforme aux exigences relatives aux appareils de classe II, niveau 2 selon la norme EN50131-1:2006+A1:2009, EN50131-3:2009 Type A.

### Spécifications

- Gamme de température: -10°C à +50°C (0°C à +49°C Canada/États-Unis)
- Humidité relative : 93% sans condensation
- Puissance/courant nominale d'entrée: 12Vdc/700mA (fourni par le contrôleur d'alarme ou source électrique limitée)
- Consommation de courant du module : 50mA (état d'alarme ou de non alarme)
- Dimensions de carte: 45mm x 92mm
- Puissance AUX de sortie: 12Vdc, -15%/ +15% quand la puissance d'entrée est de 85% à 110% et le courant de sortie est 0mA à 250mA (en plus de 400mA pour les sorties PGM)
- Sorties de PGM: Les sorties PGM sont à collecteur ouvert et commutées à la terre, 50mA max.
- Fusibles réinitialisables (CTP) utilisés à la place de fusibles remplaçables. Ne contient pas de pièce à entretenir par l'utilisateur

### Description des bornes



**TAM** - Elle peut être utilisée pour protéger le coffret dans lequel le PC5208 est monté. Connectez un interrupteur normalement fermé (NF) entre TAM et BLK (noir). Si l'anti-sabotage n'est pas utilisé, connectez un fil entre TAM et BLK (noir).

**Remarque:** Il y a un interrupteur anti-sabotage sur le module d'extension situé en haut à gauche de la carte à circuit imprimé. Si le coffret utilisé pour installer le module de sortie PC5208 possède le matériel nécessaire pour appuyer sur cet interrupteur anti-sabotage, NE connectez RIEN à la borne TAM.

**+AUX+** - Il y a deux bornes pour l'alimentation AUX afin de faciliter le câblage. Ces bornes sont utilisées pour assurer l'alimentation des dispositifs. L'appel de courant maximum ne doit pas dépasser 250 mA. Branchez le fil positif des dispositifs alimentés à l'une des bornes AUX+ et le fil négatif à une borne de sortie appropriée (O1 à O8).

**KEYBUS** - La connexion Keybus à 4 fils est utilisée par le panneau pour communiquer avec le module. Branchez les bornes ROUGE, NOIR, JAUNE et VERT aux bornes du Keybus sur le panneau principal PC5015/PC1616/PC1832/PC1864.

**O1 à O8** - Câblez le fil positif du dispositif sur l'une des bornes AUX et le fil négatif à la borne de sortie appropriée (O1 à O8). Voici des exemples montrant comment câbler les divers dispositifs aux sorties :

### Boîtiers

Le PC5208 peut être installé dans la même enceinte métallique que le contrôleur d'alarme/alimentation ou dans une enceinte séparée. Le câblage interne et/ou externe pour ce module devra être acheminé, supporté, attaché de façon à réduire la possibilité: d'effort excessif sur les fils et les connexions; de desserrement des connexions; endommagement de l'isolement des conducteurs.

La carte de contrôle de PC5208 peut être installée dans les boîtiers métalliques suivants. Des interrupteurs anti-sabotage peuvent être installés sur tous les boîtiers, y compris des dispositifs de protection d'ouverture de la porte et/ou de protection contre le démontage.

Les portes peuvent être sécurisées par des vis ou un verrou.

- Modèle PC5003C (porte amovible) en acier 22Ga, peint, dimensions : 248 mm(L) x 298 mm(La) x 76 mm(H), poids : 1500 g.
- Modèle PC5003C (porte amovible) en tôle d'acier de 1,2 mm d'épaisseur, peint, dimensions : 248 mm(L) x 298 mm(La) x 76 mm(H), poids : 2500 g
- Modèle Power UC1 en tôle d'acier 18Ga, peint, dimensions : 315mm(L) x 319mm(La) x 100mm(H), poids : 3150g.
- Model PC4003C en tôle d'acier 18Ga, peint, dimensions: 230mm(L) x 180mm(W) x 75mm(D), poids 1050g.

**REMARQUE :** Le module de sortie modèle PC5208 a été certifié par Telefication conformément aux normes EN50131-1:2006 + A1:2009 pour Grade 2, Classe II lorsqu'installé dans le coffret PC5003C (porte amovible).

### GARANTIE LIMITÉE

Digital Security Controls pendant une période de douze mois à partir de la date d'achat, garantit le produit contre toute défectuosité matérielle et d'assemblage dans des conditions normales d'utilisation. Dans l'application de cette garantie, Digital Security Controls va, lorsqu'elle le juge opportun, en cas de problèmes de fonctionnement, réparer ou remplacer les équipements défectueux dès leur retour à son dépôt de réparation. Cette garantie s'applique seulement aux éléments défectueux et à la main-d'oeuvre, et non aux dommages causés lors de l'expédition ou de la manipulation, ni aux dommages dont les causes dépassent le contrôle de Digital Security Controls telles que la foudre, les surtensions, les chocs mécaniques, les dégâts d'eau ou tout dommage provenant d'abus, de modifications ou de mauvaises utilisations de l'équipement. La garantie susdite n'est valide que pour l'acheteur original et n'est et ne sera que la seule des garanties valables, qu'elle ait été exprimée ou implicite, remplaçant toute autre obligation ou responsabilité de la part de Digital Security Controls. La présente garantie contient la garantie au complet. Digital Security Controls n'autorise aucune autre personne à agir en son nom pour modifier ou changer la présente garantie et n'en assume pas la responsabilité, ni à assumer en son nom toute autre garantie ou responsabilité concernant le présent produit. En aucun cas, Digital Security Controls ne pourra être tenue responsable des conséquences directes ou indirectes de dommages relativement à la perte de profits prévus, à la perte de temps ou à toute autre perte subie par l'acheteur en rapport avec l'achat, l'installation et le fonctionnement ou la défaillance du présent produit.

**AVERTISSEMENT :** Digital Security Controls recommande que le système soit régulièrement soumis à un essai complet. Cependant, en dépit d'essais réguliers et à cause d'interventions criminelles, pannes de courant ou autres, il est possible que le fonctionnement du produit ne soit pas conforme aux spécifications. Le module d'extension PC5108, type 2 est conforme aux normes: NF C 48-205, C 48-211, C 48-212, C 48-410 et aux fiches d'interprétations associées. Les organismes certificateurs sont: AFNOR CERTIFICATION (www.marque-nf.com) et Centre National de Prévention et de Protection (CNPP Département certification) (www.cnpp.com). Organisme mandaté par AFNOR CERTIFICATION et Secrétariat technique CNPP : Comité National Malveillance Incendie Sécurité (C.N.M.I.S. s.a.s) (www.cnmis.org).

**IMPORTANT - À LIRE ATTENTIVEMENT :** LE LOGICIEL DSC ACHETÉ AVEC OU SANS PRODUITS ET COMPOSANTS EST PROTÉGÉ PAR LE DROIT D'AUTEUR ET IL EST ACHETÉ CONFORMÉMENT AUX MODALITÉS DU CONTRAT DE LICENCE :

Ce Contrat de licence d'utilisation (« CLU ») est une entente légale entre Vous (l'entreprise, l'individu ou l'entité qui a acheté le Logiciel et tout Matériel connexe) et Digital Security Controls, une filiale de Tyco Safety Products Canada Ltd. (« DSC »), le fabricant des systèmes de sécurité intégrés et le développeur du logiciel et de tout produit ou composant connexe (MATÉRIELS) que Vous avez acquis.

Si le produit logiciel DSC (« PRODUIT LOGICIEL ») ou « LOGICIEL ») a été conçu pour être accompagné par du MATÉRIEL et s'il N'est PAS accompagné par un nouveau MATÉRIEL, Vous n'avez pas le droit d'utiliser, de copier ou d'installer le PRODUIT LOGICIEL. Le PRODUIT LOGICIEL comprend le logiciel, et peut aussi comprendre des médias connexes, des matériels imprimés et de la documentation « en ligne » ou électronique.

Tout logiciel fourni avec le PRODUIT LOGICIEL qui est lié à un contrat de licence d'utilisation séparé Vous donne des droits conformément aux modalités de ce contrat de licence.

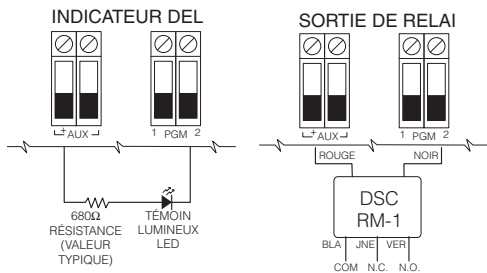
En installant, copiant, téléchargeant, sauvegardant, accédant ou utilisant d'une manière quelconque le PRODUIT LOGICIEL, Vous acceptez inconditionnellement d'être lié par les modalités de ce CLU, même si ce CLU est considéré une modification de tout accord ou contrat antérieur. Si vous n'acceptez pas les modalités du CLU, DSC refuse de Vous octroyer une licence d'utilisation du PRODUIT LOGICIEL et Vous n'avez pas le droit de l'utiliser.

### LICENCES DU PRODUIT LOGICIEL

Le PRODUIT LOGICIEL est protégé par des lois sur le droit d'auteur et des traités internationaux sur le droit d'auteur, ainsi que par d'autres lois et traités de la propriété intellectuelle. Le droit d'utilisation du PRODUIT LOGICIEL est octroyé, pas vendu.

**1. OCTROI DE LA LICENCE.** Ce CLU vous donne les droits suivants :

(a) Installation et utilisation du logiciel - Pour chacune des licences acquises, Vous n'avez le droit d'installer qu'un seul exemplaire du PRODUIT LOGICIEL.



(b) Utilisation de stockage en réseau - Le PRODUIT LOGICIEL ne peut pas être installé, accédé, affiché, exécuté, partagé ou utilisé simultanément sur des ordinateurs différents, notamment une station de travail, un terminal ou autre dispositif électronique numérique (« Dispositif »). Autrement dit, si Vous avez plusieurs postes de travail, Vous devez acheter une licence pour chaque poste de travail où le LOGICIEL sera utilisé.

(c) Copie de sauvegarde - Vous pouvez faire des copies de sauvegarde PRODUIT LOGICIEL, mais vous ne pouvez avoir qu'une seule copie installée par licence à tout moment. Vous pouvez utiliser une copie de sauvegarde. Hormis ce qui est expressément prévu dans ce CLU, Vous n'avez pas le droit de faire des copies du PRODUIT LOGICIEL, les matériels imprimés accompagnant le LOGICIEL compris.

### 2. DESCRIPTIONS D'AUTRES DROITS ET LIMITES

(a) Limites relatives à la rétro-ingénierie, à la décompilation et au désassemblage — Vous n'avez pas le droit de désosser, décompiler ou désassembler le PRODUIT LOGICIEL, sauf et seulement dans la mesure dans laquelle une telle activité est explicitement permise par la loi en vigueur, sans égard à ces limites. Vous n'avez pas le droit de faire des changements ou des modifications, quels qu'ils soient, sans la permission écrite d'un dirigeant de DSC. Vous n'avez pas le droit de retirer les notices, les marques ou les étiquettes privatives du Produit Logiciel. Vous devez instituer des mesures raisonnables pour assurer la conformité aux modalités de ce CLU.

(b) Séparation des Composants — Le PRODUIT LOGICIEL est fourni sous licence en tant que produit unique. Ses parties composantes ne peuvent pas être séparées pour être utilisées sur plus d'un MATÉRIEL.

(c) PRODUIT INTÉGRÉ unique — Si vous avez acquis ce LOGICIEL avec du MATÉRIEL, le PRODUIT LOGICIEL est autorisé à être utilisé avec le MATÉRIEL en tant que produit intégré unique. Dans ce cas, le PRODUIT LOGICIEL ne peut être utilisé qu'avec le MATÉRIEL conformément à ce CLU.

(d) Location — Vous n'avez pas le droit de louer, de mettre en bail ou de prêter le PRODUIT LOGICIEL. Vous n'avez pas le droit de le mettre à la disposition d'autres personnes ou de l'afficher sur un serveur ou un site Web.

(e) Transfert du Produit Logiciel — Vous pouvez transférer tous vos droits de ce CLU uniquement dans le cadre de la vente ou du transfert permanent du MATÉRIEL, à condition que Vous ne conservez aucune copie, que Vous transfériez tout le PRODUIT LOGICIEL (tous les composants, les matériels imprimés et autres, toutes les mises à niveau et ce CLU), et à condition que le récipiendaire accepte les conditions de ce CLU. Si le PRODUIT LOGICIEL est une mise à niveau, tout transfert doit également inclure toutes les versions antérieures du PRODUIT LOGICIEL.

(f) Résiliation — Vous réserve de tous ses autres droits, DSC se réserve le droit de résilier ce CLU si Vous ne respectez pas les modalités de ce CLU. Dans ce cas, Vous devez détruire toutes les copies du PRODUIT LOGICIEL et toutes ses parties composantes.

(g) Marques de commerce — Ce CLU ne Vous donne aucun droit relativement aux marques de commerce ou aux marques de service de DSC ou de ses fournisseurs.

### 3. DROIT D'AUTEUR

Tous les titres et droits de propriété intellectuelle associés au PRODUIT LOGICIEL (notamment mais pas seulement aux images, photographies et textes incorporés dans le PRODUIT LOGICIEL, les documents imprimés joints et tout exemplaire du PRODUIT LOGICIEL) sont la propriété de DSC et de ses fournisseurs. Vous n'avez pas le droit de faire des copies des documents imprimés accompagnant le PRODUIT LOGICIEL. Tous les titres et droits de propriété intellectuelle associés au contenu qui peut être accédé par le biais du PRODUIT LOGICIEL sont la propriété du propriétaire respectif du contenu et ils peuvent être protégés par le droit d'auteur ou autres lois et traités sur la propriété intellectuelle. Ce CLU ne Vous octroie pas le droit d'utiliser ces éléments. Tous les droits qui ne sont pas expressément octroyés par cette CLU, sont réservés par DSC et ses fournisseurs.

### 4. RESTRICTIONS POUR L'EXPORTATION

Vous acceptez le fait que Vous n'exporterez pas ou ne réexporterez pas le PRODUIT LOGICIEL dans tout pays, personne ou entité soumis à des restrictions canadiennes à l'exportation.

**5. CHOIX DES LOIS** - Ce contrat de licence d'utilisation est régi par les lois de la Province de l'Ontario, Canada.

### 6. ARBITRAGE

Tous les conflits survenant relativement à ce contrat seront résolus par un arbitrage définitif et sans appel conformément à la Loi sur l'arbitrage, et les parties acceptent d'être liées par la décision de l'arbitre. Le lieu de l'arbitrage sera Toronto, Canada, et le langage de l'arbitrage sera l'anglais.

### 7. GARANTIE RESTREINTE

(a) PAS DE GARANTIE

DSC FOURNIT LE LOGICIEL « EN L'ÉTAT » SANS GARANTIE. DSC NE GARANTIT PAS QUE LE LOGICIEL SATISFERA VOS EXIGENCES OU QUE L'EXPLOITATION DU LOGICIEL SERA ININTERROMPUE OU SANS ERREUR.

(b) CHANGEMENTS DU CADRE D'EXPLOITATION

DSC ne sera pas responsable des problèmes provoqués par des changements dans les caractéristiques du MATÉRIEL, ou des problèmes d'interaction du PRODUIT LOGICIEL avec des LOGICIELS NON-DSC ou AUTRES MATÉRIELS.

(c) LIMITES DE RESPONSABILITÉ ; LA GARANTIE REFLÈTE L'AFFECTATION DU RISQUE

DANS TOUS LES CAS, SI UN STATUT QUELCONQUE SUPPOSE DES GARANTIES OU CONDITIONS QUI NE SONT PAS POSTULÉES DANS CE CONTRAT DE LICENCE, TOUTE LA RESPONSABILITÉ ASSUMÉE PAR DSC DANS LE CADRE D'UNE DISPOSITION QUELCONQUE DE CE CONTRAT SERA LIMITÉE AU MONTANT LE PLUS ÉLEVÉ QUE VOUS AVEZ PAYÉ POUR LE CONTRAT DE CE PRODUIT LOGICIEL ET CINQ DOLLARS CANADIENS (5 CAN \$). PARCE QUE CERTAINES JURIDICTIONS NE PERMETTENT PAS L'EXCLUSION OU LES RESTRICTIONS DE RESPONSABILITÉ POUR DOMMAGES INDIRECTS, CES RESTRICTIONS PEUVENT NE PAS S'APPLIQUER DANS VOTRE CAS.

(d) STIPULATION D'EXONÉRATION DE GARANTIES

CETTE GARANTIE CONTIENT L'ENTIÈRE GARANTIE ET REMPLACE TOUTES LES AUTRES GARANTIES, QUELLES SOIENT EXPLICITES OU IMPLICITES (NOTAMMENT TOUTES LES GARANTIES IMPLICITES DE MARCHANDISE OU APTITUDE POUR UN USAGE PARTICULIER) ET DE TOUTE AUTRE OBLIGATION OU RESPONSABILITÉ DE DSC. DSC NE FAIT AUCUNE AUTRE GARANTIE. DSC N'ASSUME PAS LA RESPONSABILITÉ ET N'AUTORISE AUCUNE AUTRE PERSONNE PRÉTENDANT AGIR EN SON NOM DE MODIFIER OU DE CHANGER CETTE GARANTIE, N'ASSUME POUR CELA AUCUNE AUTRE GARANTIE OU RESPONSABILITÉ CONCERNANT CE PRODUIT LOGICIEL.

(e) RECOURS EXCLUSIF ET LIMITE DE GARANTIE

DSC NE SERA EN AUCUN CAS RESPONSABLE DES DOMMAGES PARTICULIERS, ACCIDENTELS OU INDIRECTS BASÉS SUR UNE INOBSERVATION DE LA GARANTIE, UNE RUPTURE DE CONTRAT, UNE NÉGLIGENCE, UNE RESPONSABILITÉ STRICTE OU TOUTE AUTRE THÉORIE JURIDIQUE. DE TELS DOMMAGES INCLUENT NOTAMMENT, MAIS PAS EXCLUSIVEMENT, UNE PERTE DE PROFITS, UN ENDOMMAGEMENT DU PRODUIT LOGICIEL OU TOUT AUTRE ÉQUIPEMENT ASSOCIÉ, LE COÛT DU CAPITAL, LE COÛT DE REMPLACEMENT OU DE SUBSTITUTION, DES INSTALLATIONS OU SERVICES, UN TEMPS D'ARRÊT, LE TEMPS DE L'ACHETEUR, LES REVENDICATIONS DE TIERS, Y COMPRIS LES CLIENTS ET LES DOMMAGES À LA PROPRIÉTÉ.

MISE EN GARDE : DSC recommande de tester complètement l'ensemble du système régulièrement. Toutefois, malgré des essais réguliers, il peut arriver que le fonctionnement du PRODUIT LOGICIEL ne soit pas conforme aux attentes en raison notamment, mais pas exclusivement, d'interventions criminelles ou de pannes de courant.

### DÉCLARATION D'INDUSTRIE CANADA

CAN-ICES-3(B)/NMB-3(B)