

PAN1-PLUS

Visual and acoustic fire alarm device

Installation and user Manual

Fire alarm devices - Visual and acoustic alarm device

PAN1-PLUS

General features:

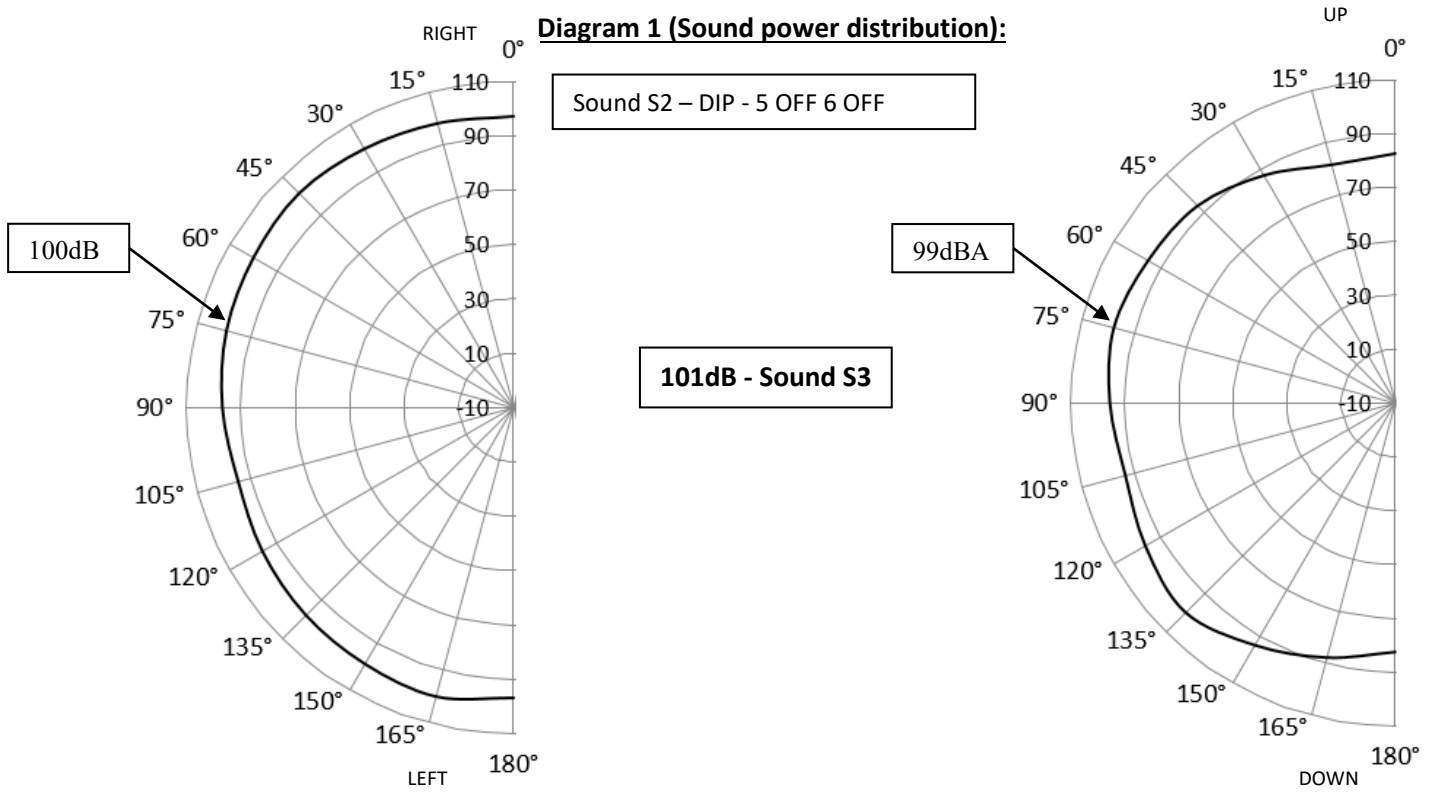
The panel PAN1-PLUS is a device conceived for acoustic and optical signaling of fires.

All materials utilized to produce it comply to fire system requirements and the housing is built with fireproof materials.

The alarm device has to be installed by qualified personnel only, respecting all installation norms and adequate distances and highness to get the best optical and acoustic performances.

TECHNICAL DATA	
Category	W-4,5-10, Wall mounted device (DIP7 OFF)
<ul style="list-style-type: none"> Coverage volume 	standard flash power 4,5x10x11 m (HxWxD)
<ul style="list-style-type: none"> Max Current absorption 	100mA average /140mA peak @ Vdc=24V
Category	W-4-9, Wall mounted device (DIP7 ON)
<ul style="list-style-type: none"> Coverage volume 	reduced flash power 4x9x9 m (HxWxD)
<ul style="list-style-type: none"> Max Current absorption 	70mA average / 90mA peak @ Vdc=24V
Nominal Voltage supply	24Vdc (from 20Vdc to 30Vdc)
Max Power absorption	2.4W (DIP7 OFF), 1.7W (DIP7 ON),
Max current absorption for sound	20mA +/-5mA
Flash - Strobo frequency	0.6Hz
Main sound frequency (average)	Sound 1 983 Hz
Main sound pattern	Sound 1 Pulsed at 1.2 Hz
Max level SPL @1 m	See Diagram 1
Available Patterns	4 available patterns: 1 modulated, 1 pulsed, 1 bitonal,1 continuous
Operating temperature	From -10 °C to +55°C
Command from the control panel	Polarity inversion
Enclosure protection degree	IP21C (Type A, for indoor use)
Size (WxHxD)	307 x 117 x 55 mm
Weight	539 gr
Standards	EN54-3:2001 + A1:2002 + A2:2006, EN54-23:2010

Diagram 1 (Sound power distribution):



PAN1-PLUS horizontal degrees	DIP 5OFF 6OFF 101dB				PAN1-PLUS vertical degrees	DIP 5OFF 6FF 101dB			
	DIP 3OFF 4OFF	DIP 3ON 4OFF	DIP 3OFF 4ON	DIP 3ON 4ON		DIP 3OFF 4OFF	DIP 3ON 4OFF	DIP 3OFF 4ON	DIP 3ON 4ON
	S1	S2	S3	S4		S1	S2	S3	S4
	min dB(A) @1m	min dB(A) @1m	min dB(A) @1m	min dB(A) @1m		min dB(A) @1m	min dB(A) @1m	min dB(A) @1m	min dB(A) @1m
15	98	98	99	99	15	90	82	84	84
45	101	99	102	101	45	102	92	95	93
75	98	100	100	99	75	107	97	99	98
105	95	100	96	95	105	102	93	95	93
135	97	99	99	99	135	108	99	101	99
165	99	98	101	100	165	100	88	90	89

PAN1-PLUS horizontal degrees	DIP 5ON 6OFF 97dB				PAN1-PLUS vertical degrees	DIP 5ON 6OFF 97dB			
	DIP 3OFF 4OFF	DIP 3ON 4OFF	DIP 3OFF 4ON	DIP 3ON 4ON		DIP 3OFF 4OFF	DIP 3ON 4OFF	DIP 3OFF 4ON	DIP 3ON 4ON
	S1	S2	S3	S4		S1	S2	S3	S4
	min dB(A) @1m	min dB(A) @1m	min dB(A) @1m	min dB(A) @1m		min dB(A) @1m	min dB(A) @1m	min dB(A) @1m	min dB(A) @1m
15	92	95	95	93	15	88	97	89	89
45	97	96	99	97	45	97	96	99	98
75	94	97	96	93	75	101	100	104	101
105	91	98	93	91	105	97	98	99	97
135	94	96	96	93	135	102	100	105	103
165	95	95	97	96	165	92	95	95	93

PAN1-PLUS horizontal degrees	DIP 5OFF 6ON 94dB				PAN1-PLUS vertical degrees	DIP 5OFF 6ON 94dB			
	DIP 3OFF 4OFF	DIP 3ON 4OFF	DIP 3OFF 4ON	DIP 3ON 4ON		DIP 3OFF 4OFF	DIP 3ON 4OFF	DIP 3OFF 4ON	DIP 3ON 4ON
	S1	S2	S3	S4		S1	S2	S3	S4
	min dB(A) @1m	min dB(A) @1m	min dB(A) @1m	min dB(A) @1m		min dB(A) @1m	min dB(A) @1m	min dB(A) @1m	min dB(A) @1m
15	89	92	91	90	15	85	94	85	85
45	93	93	95	94	45	93	93	95	94
75	90	95	92	90	75	98	97	99	98
105	88	95	90	88	105	93	95	95	94
135	90	93	92	90	135	100	97	101	100
165	91	92	94	93	165	89	93	91	90

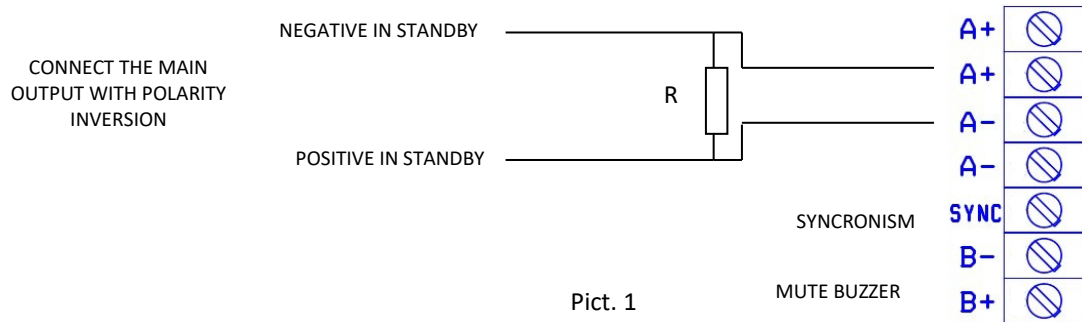
Installation:

Connection

Connect the main output with “**polarity inversion**” to positive (A+) and negative (A-) terminals (see. Pict.1) with a certified wire. Moreover, insert the end-of-line R resistor between the “A+” terminal and the “A-” terminal. The value of the end-of-line R resistor depends on the kind of main installed, and it is indicated in the main installation manual.

Terminal SYNC (Synchronism): if required, connect together the terminal SYNC of the devices to synchronize them.

Terminals B+ B- (Buzzer Mute): if required, applying 24Vcc between B+ and B- or short-circuiting B- with A-, the buzzer is silenced.



Pict. 1

Selection of backlight mode

DIP switch 1-2	Description
OFF - OFF (Default)	Backlight blinking at 0.6 Hz
ON – OFF	Backlight OFF
OFF - ON	Backlight ON
ON – ON	Backlight OFF

Selection of sound pattern and power

DIP switch 3-4	Description
OFF - OFF (Default)	983Hz pulsed at 1.2 Hz
ON - OFF	Sweep from 1200 Hz to 500 Hz at 1.2Hz
OFF - ON	983-750 Hz alternate at 1.2Hz
ON - ON	983Hz continuous

DIP switch 5-6	Sound Level at 1 m
OFF - OFF (Default)	101 dB
ON - OFF	97 dB
OFF - ON	94 dB
ON - ON	Sound disabled (NOT COMPLIANT TO EN54-3)

Selection of flash power

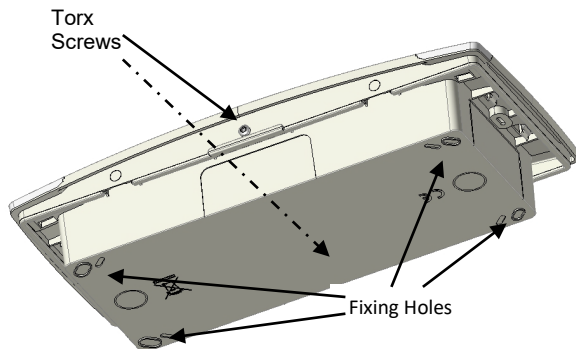
DIP switch 7	Flash pulse power	Coverage	Current absorption
OFF (Default)	Standard	4,5x10x11 m (HxWxD)	100mA
ON	Reduced	4x9x9 m (HxWxD)	70mA

Wall fixing:

Fix the device on the wall through the 4 holes on its base (see Pict. 2).

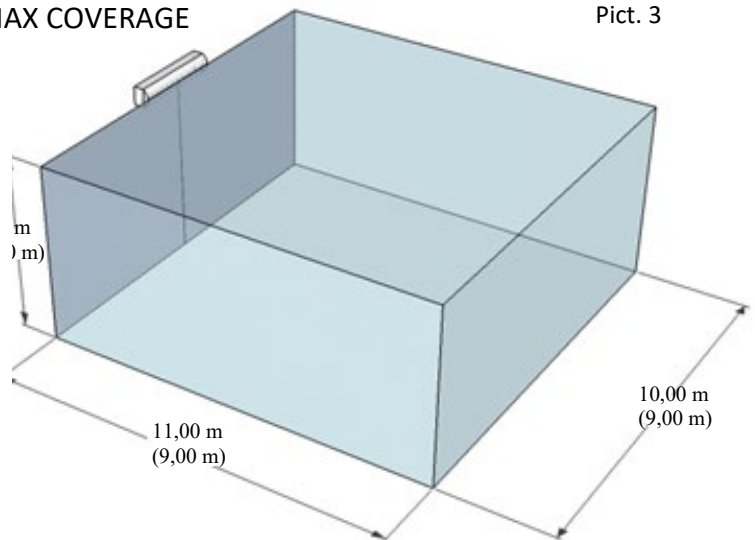
Use an adapter to connect all cables in case of a system with external tubes.

The device is classified W-4,5-10. It is designed to cover a maximum volume with a side of 10 m, front side 11 m and height of 4,5 m, see Pict. 3. The device must be placed with the long side parallel to the floor, and the flash-lens on the bottom.



MAX COVERAGE

Pict. 3



Fix the screws on the top and on the bottom of the device with a Torx screwdriver.

In case of any modification of one or more of the above topics, the certification will be not valid.

Warranty: All Notifier products have 1 year of guarantee.



1293

Notifier s.r.l. Via A: Grandi, 22, 20097 S. Donato Milanese (MI) Italy

18

DoP 1293 - CPR - 0597

EN54-3 EN54-23

PAN1-PLUS

FIRE ALARM DEVICES – VISUAL AND ACOUSTIC ALARM DEVICE

Intended for use in fire detection and fire alarm systems in and around buildings

TYPE A: for indoor use

Other technical data: see supplier's technical dossier.

Essential characteristics	Performance
Performance under fire conditions	Pass
Operational reliability	Pass
Durability of operational reliability and response delay, temperature resistance	Pass
Durability of operational reliability, humidity resistance	Pass
Durability of operational reliability, shock and vibration resistance	Pass
Durability of operational reliability, corrosion resistance	Pass
Durability of operational reliability, electrical stability	Pass
Durability of operational reliability, resistance to ingress	Pass

DoP available on web site www.notifier.it

Numero Assistenza Tecnica: 039-9301410



WASTING:

This product must be wasted in appropriate wheelee-bin for electric and electronic materials.
Do not put in weelee-bin for other kind of waste.

ATTENTION:

Please note that all installation indications here above must be carefully respected to prevent the device from loosing its standard compliance.

NOTIFIER ITALIA S.r.l. - A socio unico - 20097 San Donato Milanese (MI) - Via Grandi, 22 - Tel.: 02/518971 - Fax: 02/5189730 - E-mail: notifier@notifier.it
www.notifier.it - Capitale Sociale € 2.700.000,00 i.v. - C.C.A.A. 1456164 - Trib. Milano Reg. Soc. 348608 - Vol. 8549 Fasc. 8 - Codice Fiscale 05108880153 - Partita IVA IT 11319700156 (informativa privacy art. 3 Digs 196/03) - Uffici Regionali: 10095 Grugliasco (TO) - Via Don Caustico, 123 - Tel.: 011/0650611 - Fax: 011/4531183 - E-mail: notifier.torino@notifier.it - 35010 Limena (PD) Via IV Novembre, 6/c Int. 9 - Tel.: 049/7663511 - Fax: 049/7663550 - E-mail: notifier.padova@notifier.it - 40050 Funo di Argelato (BO) - Asta Servizi, Bl. 3B, Gall. B n. 85, Centergross - Tel.: 051/0432211 - Fax: 051/6647638 - E-mail: notifier.bologna@notifier.it - Roma - Via Del Casale Santarelli, 51 - Tel.: 06/7988021 - Fax: 06/79880250 - E-mail: notifier.roma@notifier.it - 80143 Napoli - Palazzo Prof. Studi - Centro Direzionale, Isola E2, Scala B, Piano 5° - Tel.: 081/19493111 - Fax: 081/7879159 - E-mail: notifier.napoli@notifier.it - 95126 Catania - Viale Alcide De Gasperi, 187 - Tel.: 095/2279511 - Fax: 095/7120753 - E-mail: notifier.catania@notifier.it
www.notifier.it



SISTEMA GESTIONE QUALITÀ
E AMBIENTE CERTIFICATI
UNI EN ISO 9001:2015
UNI EN ISO 14001:2015

Tutti i dati sono soggetti a cambiamento senza preavviso. Tutti i diritti di questa pubblicazione sono riservati.