



# **LCD monitor**

User's Manual

DHI-LM43-F200

Please read this manual carefully for proper usage before installation and use. It is recommended to keep this manual properly for future check. The pictures in this manual are only for reference.

## Contents

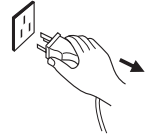
<b>Safety Warning and Notice</b> .....	<b>1</b>
<b>Mounting and Connecting</b> .....	<b>3</b>
Packing list.....	3
Mounting the LCD Monitor.....	3
Connecting peripheral equipment.....	3
<b>Panel Control Keys</b> .....	<b>4</b>
<b>Remote Control</b> .....	<b>5</b>
<b>Basic Operations</b> .....	<b>6</b>
Turning on/Standby.....	6
Signal source selection.....	6
Menu operation description.....	6
USB multimedia function.....	6
<b>Troubleshooting</b> .....	<b>7</b>
<b>Technical Specifications</b> .....	<b>7</b>
<b>Base Installation Instructions</b> .....	<b>8</b>
<b>Use of a LCD Monitor wall mounting</b> .....	<b>8</b>

### Under Following Conditions

- Power failure or unstable voltage.
- Abnormal sound or smell from the device.
- AC power cord is damaged.
- LCD Monitor is damaged due to falling off, knock or impact.
- Any liquid or foreign matters enter into the LCD Monitor.

### Turn off the LCD Monitor

immediately, unplug the power cord from the power outlet, and contact authorized maintenance personnel.



- If coal gas or other flammable gases leak, do not unplug the power cord of the LCD Monitor or other electric appliances; instead, close the valve of the gas immediately and open the doors and windows.

## Safety Warning and Notice





Thanks for choosing the high-performance and multifunctional LCD Monitor produced by our company. This precious thing will bring you better audiovisual enjoyment. The design of this product has given consideration to factors affecting personal safety, and the product itself has gone through strict tests prior to delivery. However, improper operation may result in electric shock and fire disaster. To ensure safety, prolong the service life of this product, and make sure the best performance of this product can be given full play to, please read the manual and marking label carefully before using it and comply with the following safety instructions. Please keep the user manual for later use.

	<b>Warning</b>	May result in casualties
		Indicate the behaviors that must be prohibited
	<b>Attention</b>	May result in personal injury or property losses
		Indicate the operations that must be performed

### Warning

- ⊘ ● Only use 100-240VAC, 50/60Hz power supply.
- This LCD Monitor must be connected to a three pin socket outlet for safety.
- All cables can be connected or pull out only after power supply is turned off.
- Do not fix the LCD Monitor on instable position, or else it may cause falling off, damage, or even fire.
- Do not put the LCD Monitor in the environment:
  1. With direct sunshine, moisture, overheating, undercooling or heavy dust;
  2. With flammable or explosive substance;
  3. With flammable or corrosive gas;
  4. In bathroom, kitchen, etc.
- Do not use damaged or improper power socket, and ensure that the plug and socket are connected properly.
- Keep the power plug and socket free of dust and metal pieces.
- Do not damage the power cord:
  1. It is prohibited to refit the power cord;
  2. Do not put heavy object on the power cord;
  3. Keep the power cord away from heat source;
  4. Do not drag the power cord when unplugging.

 **Warning**

-  ● Do not connect too many appliances to one power strip, or else it may cause fire due to high power consumption.
- Do not let open flame (e.g. lit candle) approach the LCD Monitor, or else it may cause electric shock or fire.
- Do not put the container filled with water on the LCD Monitor, to avoid electric shock or fire caused by water drop of splashing.
- Do not penetrate any sharp object, metal or liquid into the signal connector or air vents, to avoid short circuit and product damage as well as electric shock.
- The slots on the case is designed to release heat so as to assure that all inside components will not reach an extra high temperature and can work normally for a long time. Please do not cover the holes while place it.
-  Do not touch the plug with wet hands, or else it may cause electric shock.
-  Do not turn on the LCD Monitor in thunderstorm weather; instead, unplug the power plug to avoid lightning strike.
-  Do not disassemble the LCD Monitor by yourself, or else it may cause electric shock or fire. Contact qualified personnel for maintenance.

 **Attention**

- Do not let children climb onto the LCD Monitor.
- Keep the small accessories away from children's reach to avoid swallowing.
- If the LCD Monitor won't be used for a long time, please turn off the device and unplug the power cord.
- Before cleaning the LCD Monitor, unplug the power cord and wipe with soft cloth; do not use chemical reagents and avoid foreign substances entering into the device. The incorrect cleaning (such as cleaning fluid, water, etc) may lead to damage of product's appearance, erasing products printing

 **Attention**

- information, even flow into the machine and damage components, cause machine can not display.
- To adjust the position or angle of the LCD Monitor, please disconnect all wires and move slowly to avoid falling off.
  - Do not rub with hard object, knock at, bend or squeeze the screen.
  - Do not use machine immediately after transferring machine to the places with high temperature from low temperature, which will cause fogging inside machine and failures.
  - If the screen is broken and the liquid splashes on skin, please wash with clean water immediately for 15 minutes, and go to see your doctor.
  - To carry the LCD Monitor with hands, please grasp the corners and hold the bottom; do not apply force on the panel.
  - Displaying the same image for a long time or active image with fixed words, icons will leave "image persistence" on screen which will not disappear after powering off for a long time. This undesirable phenomenon is not covered by warranty.
  - **Healthy LCD Monitor watching:**
    1. Watch in appropriate light; poor light or long time watching may hurt your eyes.
    2. Adjust the volume appropriate to avoid hurting your hearing.
  - Unplug the power cord of the device to cut off the power supply.
  - If a power plug or appliance coupler is used as disconnecting device, it should ensure easy operation.
  - Power plug shall be connected reliably. Loose power plugs may cause sparkle and fire.
  - All the technical specifications in the user's manual and on the packaging are subject to changes without prior notice. If there is slight deviation between the user's manual and actual operation, the latter shall prevail.

## Mounting and Connecting

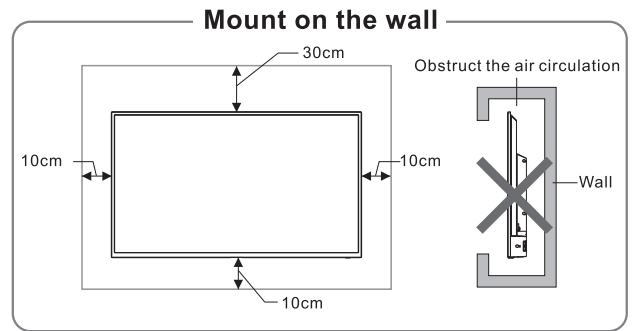
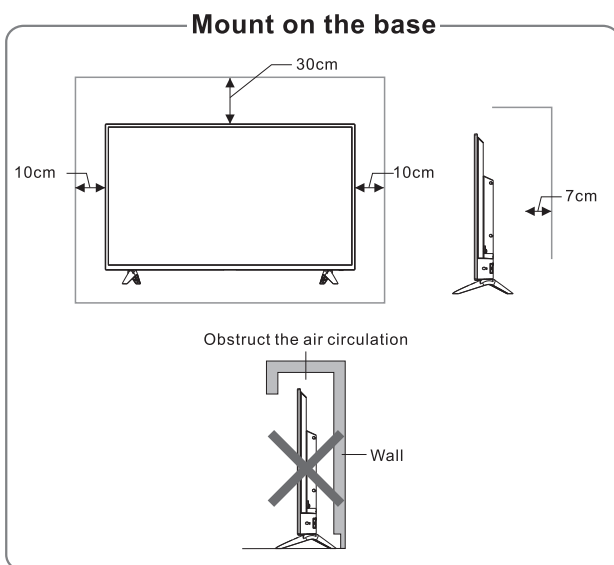
### Packing list

1. The LCD Monitor.
2. User Manual.
3. Remote control.
4. Power cord (or attached to LCD Monitor).
5. ST6×8mm flat tail self-tapping screws 2pcs.

### Mounting the LCD Monitor

#### Tips on Installation

- The LCD Monitor should be mounted near the AC power socket for easy plugging and unplugging.
- For your safety, please select appropriate wall mount bracket or base.
- To avoid hurt, it is required to place the LCD Monitor on stable plane, or fix on firm wall.
- Ask qualified personnel to mount the LCD Monitor on the wall. Improper mounting may result in instable LCD Monitor.
- Do not place the LCD Monitor at any place susceptible to mechanical vibration.
- Do not place the LCD Monitor at any place that insects may enter.
- Do not mount the LCD Monitor against air conditioner, or else the internal panel of the display may condense moisture and cause failure.
- Do not place the LCD Monitor at any place with strong magnetic field, or else it may be interfered with and damaged by electromagnetic wave.



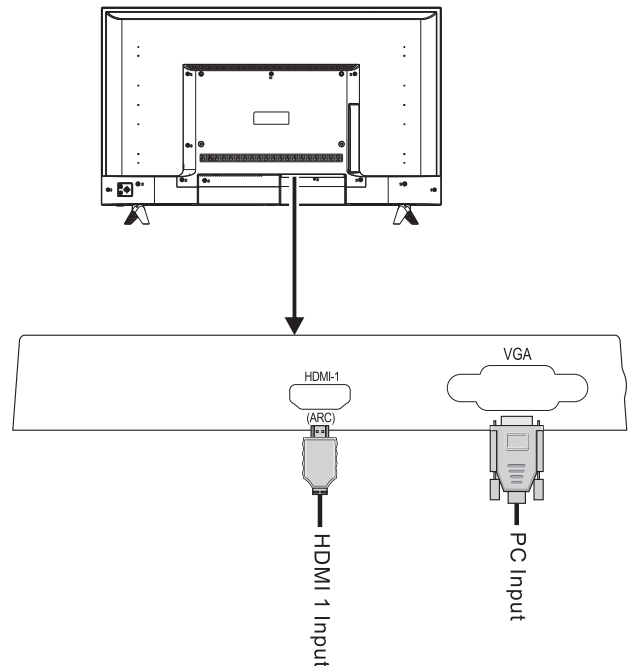
### Ventilation

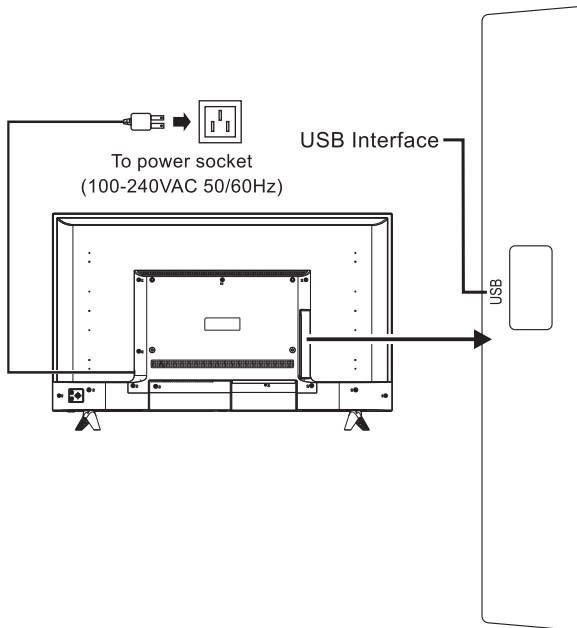
- Please keep this space at least around the LCD Monitor, as shown in the figure.
- Do not cover the air vents or insert any object into the enclosure.
- Do not put the device in limited space, e.g. bookcase or embedded closet, unless the LCD Monitor is properly ventilated.

### Connecting peripheral equipment

#### Remark:

1. When you need to connect the device which support the ARC function, please select the HDMI-1 interface.
2. HDMI connector can realize DVI connector function with external HDMI/DVI commutator.
3. The peripheral equipment and cables described in this manual should be purchased separately.





- 1) Power LED indicator and remote receiving window.
- 2) ⏻ Standby: To switch the LCD Monitor on or back to standby.
- 3) Menu key: Press this key to display the main menu. In OSD menu operation, press this key to return to the previous menu, the function is the same with pressing key on the remote control.
- 4) Rocker button combination key:  
Press **OK** Rocker :  
Press **OK** rocker to enter source menu, the function is the same with pressing key on the remote control.

**Move rocker Up/Down:**

In OSD menu operation, move rocker **Up/Down** to select the adjustment items, the function is the same with pressing key on the remote control.

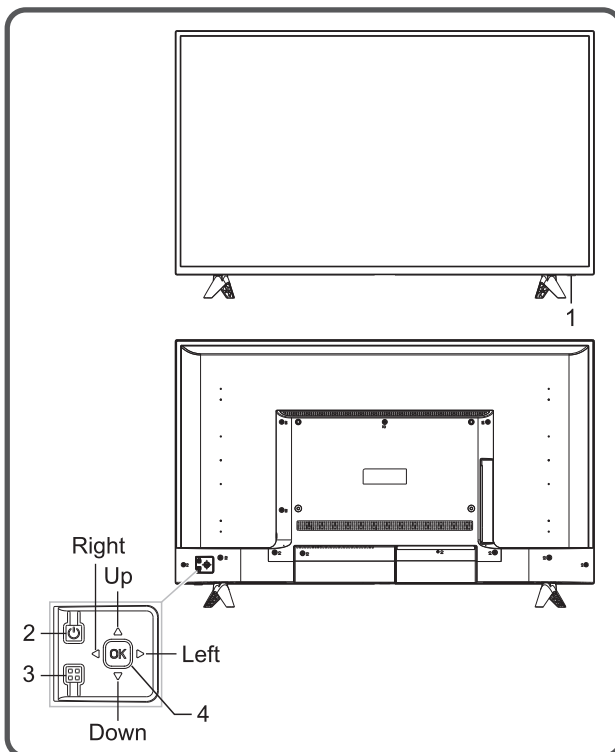
**Move rocker Left/Right:**

①. In non-OSD menu operation, move rocker **Left/Right** to decrease/increase the volume, the function is the same with pressing key on the remote control.

②. In OSD menu operation, move rocker **Left/Right** to adjust the analog value of selected item, the function is the same with pressing key on the remote control.

**Note:** Different models may have different appearances; please refer to the actual device.

## Panel Control Keys



## Remote Control

### Method for Installation of Remote Control Battery

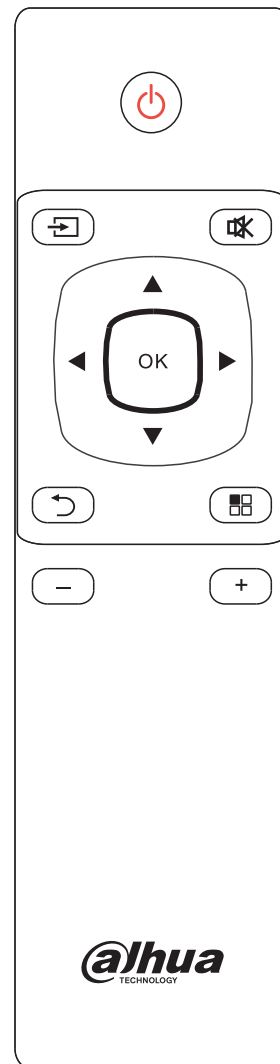
Remove the battery compartment cover and insert two AAA (No. 7, 1.5V) batteries; make sure the polarity of the batteries is in compliance with the polarity mark "+" and "-" in the battery compartment of the remote control.

### Precautions for using the remote control

- The remote control should be pointed at the remote control sensor during operation. An object placed between the remote control and the remote control sensor may impede normal operation.
- The remote control should be prevented from strenuous vibration. Besides, please do not set or place the remote control under direct sunshine, as heating power may result in deformation of the remote control.
- Remote control failure may occur when the remote control sensor of the main unit is under direct sunshine or strong lighting; in this case, please change the angle of lighting or this LCD Monitor, or operate the remote control near the remote control sensor.
- Low battery will influence the remote control distance, in which case, the battery should be replaced with a new one. If the remote control is going to be idle for a long time or the battery runs out, please take the battery out to prevent the remote control from being corroded by battery leakage which may result in damage and failure of the remote control.
- Please do not use batteries of different types. It is not allowed to use old and new batteries together; the batteries should be replaced in pair.
- Please do not throw the batteries into fire or charge or decompose the batteries; do not charge, short-circuit, disassemble/assemble, heat or burn used batteries. Please dispose the waste batteries pursuant to relevant regulations on environmental protection.

**Note:** The appearance of the remote control may be different from this diagram; please refer to the real object as standard.

### Keys of the Remote Control



Key	Function
POWER (🔌)	Switch between normal working and standby.
MUTE (🔇)	Turn on/off the sound.
SOURCE (📡)	Press this key to display signal source selection menu.
RETURN (↶)	Exit the menu page or return to the previous page under the signal source.
MENU (☰)	Press this key to call out the main menu.
▲/▼/◀/▶	Select items or adjust values.
OK	Confirm the operation.
+	Turn up the volume.
-	Turn down the volume.

## Basic Operations

### Remark:

1. The following keys operation refers to remote control operation, for panel control keys operation please refer to "**Panel Control Keys**" operation explanation.
2. The menu operation in this manual uses the example in LCD Monitor input source; the operations in other input source are same as the LCD Monitor.

## Turning on/Standby

Connect the power supply, and press [⏻] key to turn on the LCD Monitor. (**Notice:** Please make sure that the power supply is stable)

In power on state, press [⏻] key to switch to standby mode.

★ **Special Tips:** This device adopts energy saving technology. If there is no signal input in power on state, it will enter standby state automatically in five minutes; The device will enter standby state automatically at specified sleep time;

## Signal source selection

You can connect various devices to the LCD Monitor and view high quality images. If the video device has HDMI, VGA or other output ports. You can select one of them and connect to corresponding input ports of the LCD Monitor. After connected, turn on the device and press [↔] key to show the "**Input Source**" menu on the screen; press [▲]/[▼] key to select a signal source. Press [OK] key to switch to the selected signal source.

## Menu operation description

Press [⏏] key to show the main menu on the screen:

1. Press [◀]/[▶] key to select a menu from **PICTURE, SOUND, OPTION.**
2. Press [▲]/[▼] key to select an item in the menu.
3. Press [OK] key to set or enter the submenu.
4. Press [◀]/[▶]/[▲]/[▼] key to set.
5. When the main menu shows on the screen, press [⏏] key to exit the main menu. Press [⏏] key to return to previous menu when the LCD Monitor display the sub-menu.
6. During menu operation, the icons of invalid options will change into grey.

## USB multimedia function

Please insert USB storage device into USB interface of LCD Monitor, and select USB as signal source. Enter the USB multimedia center, which includes 4 sorts: PHOTO, MUSIC, MOVIE and TEXT.

### Remark:

1. *Compatible USB media files: video, audio, picture, and text. The nonstandard USB storage devices may be incompatible; please replace with standard devices;*
2. *Stream media system has limitation on every kind of file format, and will report error if beyond system limit;*
3. *Do not unplug the USB device while playing, or else it will cause system or device error;*
4. *The system supports USB flash drive and removable hard disk with standard USB1.1 and USB2.0 interface transmission protocol. The file format of USB device must be FAT or FAT32, instead of NTFS.*
5. *The USB interface of this LCD Monitor can supply a voltage of 5V and the maximum current is 500mA; accurate identification of the multimedia player will be affected when a storage device above 500mA is used, which is a normal phenomenon.*

While playing, press [OK] key to show the function menu as in the picture below; press [▼] key to hide the function bar. Select an icon, and press [OK] key to perform the operation.

## Troubleshooting

- **LCD Monitor image is blurry, and has noise.**
  1. Use signal amplifier.
  2. Enter main menu to reset the sound system.
- **No screen display, no sound, indicator is off.**  
Check if the power cord is connected properly.
- **LCD Monitor image has point, line or stripe interference.**  
Do not use hair drier near the device.
- **Image has no color.**
  1. Enter main menu to increase the saturation.
  2. Enter main menu to change the color system.
- **LCD Monitor doesn't have sound.**
  1. Adjust the volume properly.
  2. Press "🔊" key on the remote control to turn on the sound.
  3. Enter main menu to change the sound system.
- **PC doesn't have display, no signal input.**  
Check whether the signal cable is loose or falls off, and reconnect the cable.
- **Remote control distance becomes short, out of control.**
  1. Move the object to avoid blocking the receiver window.
  2. Replace the battery.
- **PC display is blurry.**
  1. Use automatic adjustment.
  2. Use recommended mode.
- **PC image offset, can't fit the screen or beyond the screen.**
  1. Use automatic adjustment.
  2. Enter "PC Setting" to adjust the vertical or horizontal position.
  3. Use recommended mode.
- **Noise Signals at turning off.**  
It is normal.
- **Can't operate the device.**  
Disconnect the power supply first, and connect the power supply after about 1-2 minutes, then turn on the LCD Monitor again.

## Technical Specifications

### Master unit

Max. Resolution	1920×1080
Best Resolution	1920×1080@60Hz
Power Supply	100-240VAC 50/60Hz
Power Consumption of Speaker	8W+8W
Operating environment:	
Temperature	5°C~40°C
RH	10%~85%
Atmospheric pressure	86kPa~106kPa
Storage environment:	
Temperature	-20°C~55°C
RH	5%~95%
Atmospheric pressure	86kPa~106kPa

### Dimension (L×W×H) and Weight

Excluding base	Unpacking: 969×73×566(mm <sup>3</sup> )
Including base	Unpacking: 969×235×618(mm <sup>3</sup> ) Packing: 1080×119×652(mm <sup>3</sup> ) Net Weight: 7kg Gross Weight: 9kg

### Technical specifications for LCD Monitor

HDMI video input: 480i, 480P, 576i, 576P, 720P, 1080i, 1080P.

### VGA display mode

NO.	Mode	Resolution	Refresh rate
1	VGA	720×400	70Hz
2		640×480	60Hz
3	SVGA	800×600	60Hz
4	XGA	1024×768	60Hz
5		1280×720	60Hz
6	WXGA	1360×768	60Hz
7		1600×900	60Hz
8	WUXGA	1920×1080	60Hz

*Recommended mode: 1920X1080@60Hz*

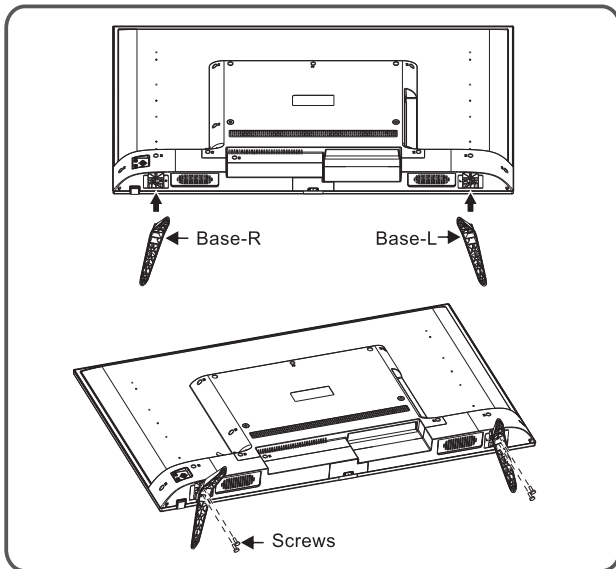
### Power management

Mode	Power Consumption
Normal working	≤75W
Standby	≤0.5W



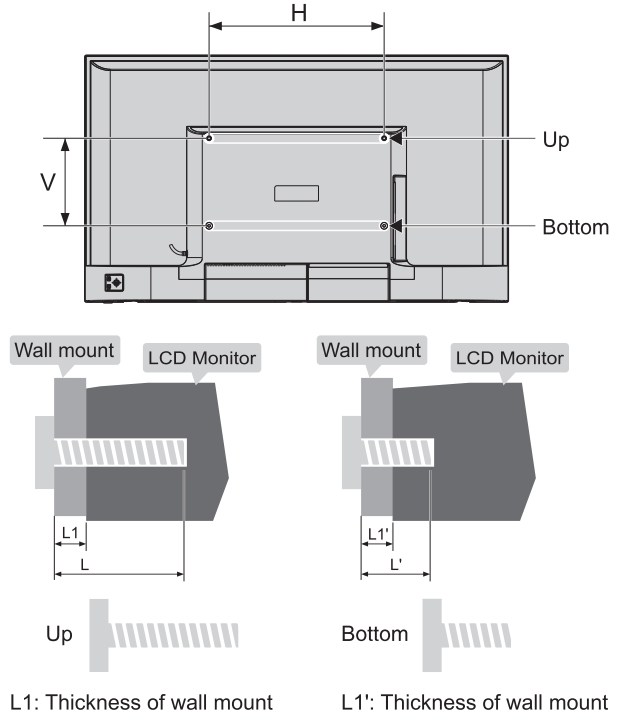
## Base Installation Instructions

Put the machine flat first, distinguish left and right base and base installation front and back direction, then install the bases in the bottom of the machine back cover as arrow direction in figure. Align screw holes, then fasten screws (notice that base module has to be adjusted at figure status, otherwise it cannot be installed in.)



**Remark:** The actual base and machine appearance may be different from pictures; please refer to the actual device.

- Please entrust a professional technician to complete installation. The company shall not be liable for accidents, personal injury or damage caused by improper installation of LCD Monitor set.



L1: Thickness of wall mount

L1': Thickness of wall mount

Distance between holes on the wall(H×V)(mm)	Required screws (recommended bolt length)(mm)
400 x 200	Up: 2 x M6 (26.5+L1≤L≤30+L1), Machine screws Bottom: 2 x ST6 (5+L1'≤L'≤7+L1'), Flat tail self-tapping screws

### Note:

- If any screws are found in the screw hole for wall mount behind the LCD Monitor set before installing the wall mount, the screws shall be removed and put in place for later use.
- Please buy the wall screws according to the actual situation.
- If there are flat tail self-tapping screws in the accessories; please decide whether it is suitable for use according to the actual situation of the wall mount.  
ST6x8mm flat tail self-tapping screws 2pcs(option)

## Use of a LCD Monitor wall mounting

### ⚠ Warning

- Please purchase a suitable LCD Monitor wall mount when mounting your LCD Monitor on the wall.
- Ensure that the bearing capacity of the wall for mount installation is no less than 4 times the weight of the LCD Monitor set and the wall mount so as to avoid falling.
- Please refer to the instructions provided with the LCD Monitor set and wall mount for installation.
- Make sure there is no cable or conduit in the wall section where a wall mount will be installed.

