

ITSZJ-1101-12

Pole Mount Bracket



With its simple and elegant design, the Pole Mount Bracket makes camera installation both easy and convenient. It is 1.2 meters long and has a sturdy design that supports the easy installation of cameras with ball head stands. It also protects devices, reducing their exposure to weather elements.

Scene

It can be used to install cameras with ball head stands, increasing the service life of devices by protecting their cables from exposure to sunlight and rain.

Technical Specification

Basic

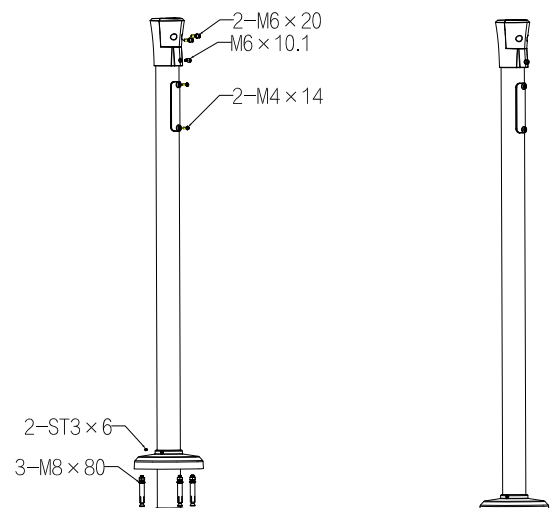
Color	White
Matched Product	DHI-ITC215-PW6M-LZF-O; DHI-ITC215-PW6M-IRLZF-O; ITC215-PW6M-LZF-O; ITC215-PW6M-IRLZF-O; DHI-ITC415-PW6M-LZ-BH; DHI-ITC415-PW6M-IZ-BH; ITC415-PW6M-LZ-BH; ITC415-PW6M-IZ-BH
Operating Temperature	-30 °C to +65 °C (-22 °F to +149 °F)
Operating Humidity	10%–90% (non-condensing)
Casing	Metal (steel)
Product Dimensions	Φ60.0 mm × 1,200.0 mm (Φ2.36" × 47.24") (D × H)
Net Weight	4.6 kg (10.14 lb)
Gross Weight	5.8 kg (12.79 lb)
Installation	Floor-standing installation

- Simple and elegant design
- 360° camera installation
- Hidden wiring

Ordering Information

Type	Part Number	Description
Bracket	ITSZJ-1101-12	Pole Mount Bracket

Installation



Dimensions (mm[inch])

