

HD PRO SERIES

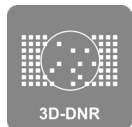
Series dedicated to the installer who's looking for a high-level camera making the difference in terms of image quality.



I2-380A-28

20M IR 8MP PRO HD ANALOG FIXED LENS BULLET CAMERA

This 4K bullet camera presents a stunning 8-megapixel image, equipped with a 2.8mm fixed lens, it is designed for short distance surveillance systems (up to 20m) for both indoor and outdoor scenarios. Featuring 4in1 technology selectable by a protected DIPswitch the camera is ideal for Plug & Play over existing analog infrastructure.



MAIN FEATURES

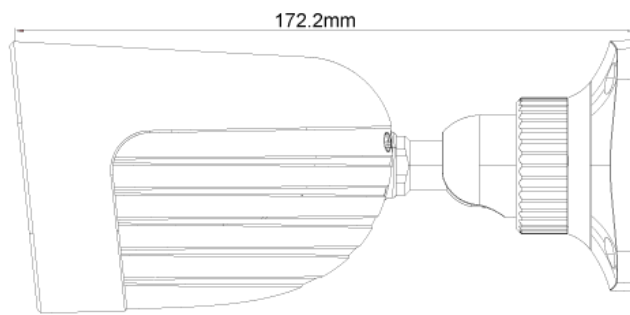
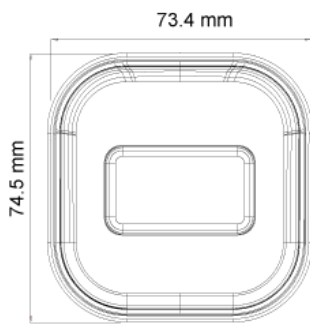
- 8MP
- Pro Series
- 3840x2160 Resolution
- Wide field of view 95°
- 3D-DNR
- 4 in 1 (DIP Switch AHD/TVI/CVI/CVBS + PAL/NTSC)
- IP67
- COC support



SPECIFICATIONS

| | |
|------------------------|--|
| Image Sensor | 1/2.5" 8MP Sensor |
| Image Format | 8MP/4MP - 16:9, 5MP - 4:3 |
| Effective Pixels | 3864x2202 |
| Scanning System | Progressive |
| Resolution | 8MP: 3840x2160 AHD/TVI/CVI 5MP: 2592x1944 AHD/TVI 4MP: 2560x1440 AHD/TVI/CVI CVBS: 700TVL |
| FPS | 8MP @ 12/15FPS, 5MP @ 20FPS, 4MP @ 25/30FPS, CVBS @ 25/30FPS |
| Min. Illumination | Color: 0.01lux @F1.2, AGC ON B/W:0lux with IR" |
| D&N | True Day&Night-ICR |
| IR LED | 1 LED Array (20m) |
| OSD Menu | Available via CoC Only |
| CoC Support | Yes |
| Day & Night Mode | Ext/Auto/Day/Night |
| Backlight Compensation | BLC |
| S/N Ratio | ≥52dB(AGC OFF) |
| White Balance | Auto |
| Noise Reduction | 3D-DNR |
| Video Output | 8MP / 5MP / 4MP (Selected by OSD Menu) AHD/TVI/CVI/CVBS + PAL/NTSC (Selected by DIP Switch) |
| Privacy Mask | No |
| D-Effect | No |
| WDR | No |
| Lens (Field Of View) | 2.8mm Fixed (95°) |
| Power | DC12V/340mA |
| Operation Temperature | -30° ~ 50°, 10% ~ 90% humidity |
| Protection Rate | IP67 |
| Dimensions | 172.2*73.4*74.5mm |
| Net Weight | 475g |
| Junction Box | PR-JB12IP66 - PR-JB12IP64 |

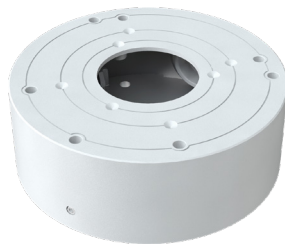
DIMENSIONS



ACCESSORIES



PR-JB12IP66
Small Water-proof Junction Box



PR-JB12IP64
Small Junction Box