

HBL2GR1/HBW2GR1/ HBW2GR3/HBW4GR1

WDR IR Rugged IP Bullet Cameras

Honeywell is taking quality and reliability to the next level with the New equiP® range of rugged IP bullet cameras. The Honeywell TDN ultra low-light IR rugged bullet cameras offer outstanding picture clarity, hassle-free flexible system integration, and secure data transmission—and they look great too!

Superior Image Quality

- Full HD 1080p 25/30 fps image with a 1/2.7" or 1/2.8" 2 MP sensor, or full HD 4 MP 20 fps image with a 1/3" 4 MP sensor
- True WDR, up to 140 dB, ensures glare-free images
- True Day/Night provides vivid colour images by day and clear black-and-white images at night with ICR
- Excellent low-light performance with 3D noise reduction, saving storage and bandwidth together with H.264 High Profile codec
- Ultra Low Light technology is able to capture high quality colour images in low light environments

Flexible Surveillance Solution

- 2.7-12 mm or 5-50 mm, F1.4, motorized focus/zoom lens
- H.264 and MJPEG codec, triple stream support
- IR LEDs provide up to 60 m (195') of illumination in dimly lit or nighttime scenes (depending on scene reflectance)
- Smart IR technology provides even distribution of IR
- Waterproof (IP67) and IK10 vandal resistant camera housing
- -40°C to 60°C (-40°F to 140°F) working temperature
- ONVIF Profile S and G compliant
- Security features include individual signed certificates and data encryption
- Cameras can be retrofitted on many existing DVR/NVR installations without requiring additional storage



HD

Back box sold separately



Easy to Install and Use

- Built-in PoE (Power over Ethernet) eliminates separate power supply and associated wiring; 24 V AC/12 V DC inputs where PoE power is unavailable
- Remote configuration, motorized zoom adjustments and auto focus through web client or from the NVR
- Included accessories: security screw driver, mounting screws, and mounting template

Onboard Video Storage

- Supports up to 128 GB microSDHC (Class 10) card for local video storage when network is interrupted. Card not included.

FEATURES AND BENEFITS

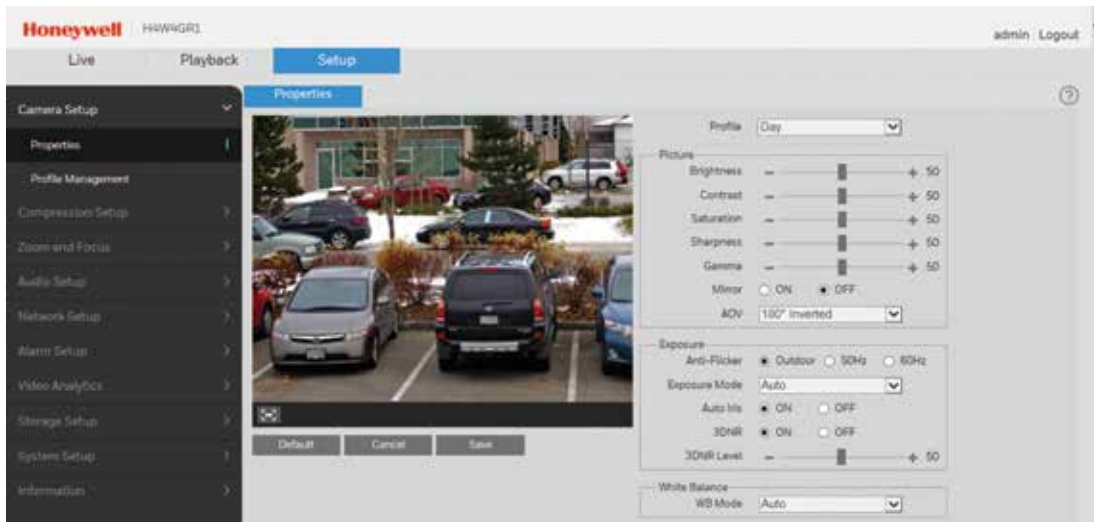
These fully featured attractive cameras are perfect for outdoor installations that require excellent picture quality at minimal bandwidth while offering maximum protection against dust, dirt, and water. Boasting a sleek modern design and offering two different lens options, the cameras are suited for a wide range of applications.

- 1/2.7" or 1/2.8" 2 MP progressive scan imager or 1/3" 4 MP progressive scan imager
- Ultra-low light performance
- 60 m (195') IR distance, depending on scene reflectance
- True WDR: up to 140 dB
- Excellent low light performance with down to 0 lux BW (with IR LEDs on)
- Up to triple stream support
- Up to 4 MP resolution at 20 fps or 1080p at 25/30 fps
- 2.7-12 mm or 5-50 mm, F1.4, motorized focus and zoom lens
- Rugged outdoor housing with IP67 ingress protection rating and IK10 vandal resistance rating
- Corridor mode viewing capability
- On board camera storage: up to 128 GB micro SD card (not included)
- ONVIF profile S and G compliant

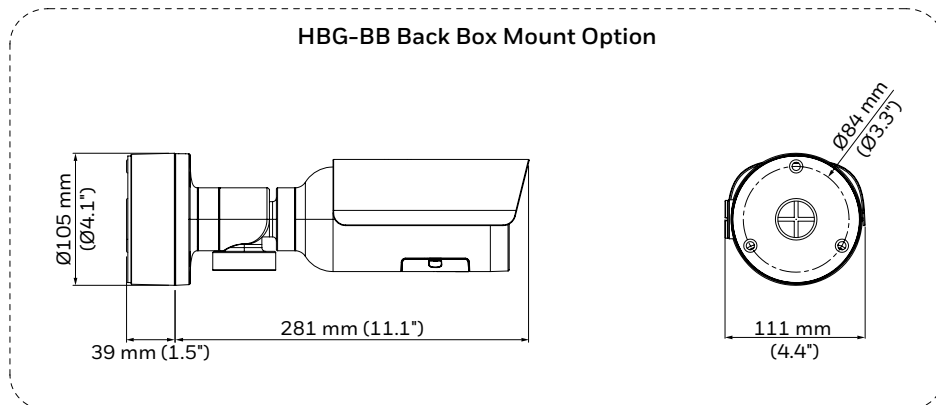
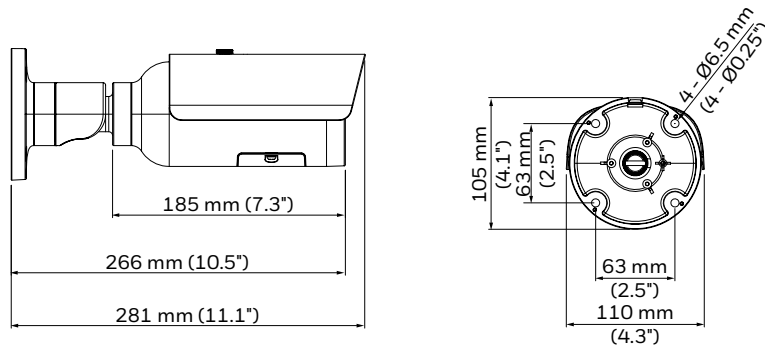
HBL2GR1/HBW2GR1/HBW2GR3/HBW4GR1

WDR IR Rugged IP Bullet Cameras

The camera can be configured to automatically detect and respond to events such as motion in the scene, alarm inputs, network failure, and/or camera tampering. Automated responses include: sending a notification through email, FTP, and/or HTTP; sending a still image of the event through email and/or FTP; and recording a video clip of the event to a configured microSDHC card. Setup can be done through a web client or from an NVR.



DIMENSIONS



HBL2GR1/HBW2GR1/HBW2GR3/HBW4GR1

WDR IR Rugged IP Bullet Cameras

SPECIFICATIONS

| OPERATIONAL | | IP SPECIFICATIONS (CON'T) | |
|--------------------------|--|--|---|
| VIDEO STANDARD | NTSC/PAL | SUB STREAM | HBL2GR1/HBW2GR3/HBL2GR1 (PAL): 1-25 fps (D1-704x576, CIF-352x288) HBL2GR1/HBW2GR3/HBL2GR1 (NTSC): 1-30 fps (D1-704x480, CIF-352x240) HBW4GR1 (PAL): 1-20 fps (D1-704x576, CIF-352x288) HBW4GR1 (NTSC): 1-20 fps (D1-704x480, CIF-352x240) |
| SCANNING SYSTEM | Progressive scan | | |
| IMAGE SENSOR | HBL2GR1: 1/2.8" 2 MP progressive CMOS | FRAME RATE | TRIPLE STREAM HBW2GR1/HBW2GR3 (PAL): 720p 1-14 fps, D1 (704x576) 1-25 fps, CIF (352x288) 1-25 fps HBW2GR1/HBW2GR3 (NTSC): 720p 1-3 fps, D1 (704x480) 1-9 fps, CIF (352x240) 1-30 fps HBW4GR1 (PAL): 1-20 fps (720p, D1-704x576, CIF-352x288) HBW4GR1 (NTSC): 1-20 fps (720p, D1-704x480, CIF-352x240) HBL2GR1 (PAL): 1080p 1-20 fps, 1-25 fps (720p, D1-704x576) HBL2GR1 (NTSC): 1080p 1-15 fps, 1-30 fps (720p, D1-704x480) |
| | HBW2GR1/HBW2GR3: 1/2.7" 2 MP progressive CMOS | | |
| | HBW4GR1: 1/3" 4 MP progressive CMOS | | |
| NUMBER OF PIXELS (H×V) | HBL2GR1/HBW2GR1/HBW2GR3: 1920 × 1080 | PROTOCOLS* | IPv4/IPv6, HTTP, HTTPS, TCP/IP, UDP, UPnP, ICMP, IGMP, RTSP, RTP, SMTP, NTP, DHCP, DNS, PPPoE, DDNS, FTP, QoS, SNMP v2c/v3, LDAP (Client), NFS, RTCP, Bonjour |
| | HBW4GR1: 2560x1440 | | |
| MINIMUM ILLUMINATION | HBL2GR1: 0.005 lux colour/0 lux with IR LEDs on @ F1.4 | COMPATIBILITY | ONVIF Profile S/G |
| | HBW2GR1/HBW2GR3/HBW4GR1: 0.01 lux colour/0 lux with IR LEDs on @ F1.4 | MAX. USER ACCESS | 20 users |
| S/N RATIO | 50 dB or more | LANGUAGES SUPPORTED | English, Arabic, Czech, Dutch, French, German, Italian, Japanese, Korean, Polish, Portuguese, Russian, Simplified Chinese, Spanish, Turkish |
| ELECTRONIC SHUTTER SPEED | Auto, Manual, 1/3(4)-1/10 000 s | ELECTRICAL | |
| IR DISTANCE | Up to 60 m (195'), depending on scene reflectance | INPUT VOLTAGE | 12VDC +/-10%, 24VAC +/-10%, PoE IEEE 802.3af |
| DAY/NIGHT | Auto(ICR)/Colour/BW | AC FREQUENCY | 50/60 Hz |
| BACKLIGHT COMPENSATION | BLC/HLC | POWER CONSUMPTION | 24VAC 12W max (zoom/focus/IRs/heater active), typical 10.5W PoE (802.3af) Class 0 |
| WIDE DYNAMIC RANGE | HBL2GR1: 140 dB | | HBL2GR1 PoE (802.3at) 24VAC 14.5W Class 4 |
| | HBW2GR1/HBW2GR3/HBW4GR1: 120 dB | MECHANICAL | |
| WHITE BALANCE | Auto/Manual | DIMENSIONS | 281.0 × 110.0 mm (11.1" × 4.3") |
| GAIN CONTROL | Auto/Manual | PRODUCT WEIGHT | 2.0 kg (4.4 lb) |
| NOISE REDUCTION | 3DNR | PACKAGE WEIGHT | 2.3 kg (5.0 lb) |
| PRIVACY MASKING | Up to 4 areas | CONSTRUCTION | Die-cast aluminum housing with powder coat |
| CORRIDOR MODE | Yes | CONSTRUCTION COLOUR | RAL9003 (White) and RAL7022 (Gray) |
| LENS | HBL2GR1/HBW2GR1/H4W4GR1: 2.7-12 mm, MFZ, F1.4 | RECORDING AND STORAGE | Up to 128 GB microSDHC card Class 10 (not included) |
| | HBW2GR3: 5-50 mm, MFZ, F1.4 | ENVIRONMENTAL | |
| | HBL2GR1: 97°-34° | TEMPERATURE | -40°C to 60°C (-40°F to 140°F) |
| HORIZONTAL ANGLE OF VIEW | HBW2GR1/HBW4GR1: 99°-34° | RELATIVE HUMIDITY | 10% to 100%, condensing |
| | HBW2GR3: 66°-6.2° | INGRESS PROTECTION | IP67 |
| | HBW4GR1: 66°-6.2° | VANDAL RESISTANCE | IK10 |
| AUDIO/TWO-WAY | Line In/Out | REGULATORY | |
| IP SPECIFICATIONS | | EMISSIONS | FCC Part 15, CE (EN 55022); Complies with RCM (AS/NZS) |
| VIDEO COMPRESSION | H.264/H.264H/H.264B/MJPEG | IMMUNITY | CE (EN 50130-4) |
| RESOLUTION | HBL2GR1/HBW2GR1/HBW2GR3: 1080p (1920×1080)/SXGA (1280×1024)/1.3M (1280×960)/720p (1280×720)/D1 (704×576/704×480)/CIF (352×288/352×240) | SAFETY | North America UL Listed to UL/CSA 60950-1, CE (EN 60950-1) North America UL Listed to UL/CSA 60950-22, CE (EN 60950-22) |
| | HBW4GR1: 4M (2688×1520 with Analog video output off, or 2560×1440 with Analog video output on)/3M (2304×1296)/1080p (1920×1080)/SXGA (1280×1024)/1.3M (1280×960)/720p (1280×720)/D1 (704×576/704×480)/CIF (352×288/352×240) | | |
| | HBW2GR1/HBW2GR3/HBL2GR1 (PAL): 1-25 fps (1080p, SXGA-1280x1024, 1280x960, 720p, D1-704x576) | | |
| | HBW2GR1/HBW2GR3/HBL2GR1 (NTSC): 1-30 fps (1080p, SXGA-1280x1024, 1280x960, 720p, D1-704x480) | | |
| FRAME RATE | MAIN STREAM | HBW4GR1 (PAL): 1-20 fps (2688x1520 with Analog video output off, 2560x1440); 1-25 fps (2304x1296, 1080p, SXGA-1280x1024, 1280x960, 720p) | |
| | | HBW4GR1 (NTSC): 1-20 fps (2688x1520 with Analog video output off, 2560x1440); 1-30 fps (2304x1296, 1080p, SXGA-1280x1024, 1280x960, 720p) | |
| | | HBL2GR1/HBW2GR3/HBL2GR1 (PAL): 1-25 fps (1080p, SXGA-1280x1024, 1280x960, 720p, D1-704x576) | |
| | | HBL2GR1/HBW2GR3/HBL2GR1 (NTSC): 1-30 fps (1080p, SXGA-1280x1024, 1280x960, 720p, D1-704x480) | |

NOTE:

*Some development may be required in specific user cases to support some of these protocols in the field as they mature over time.

HBL2GR1/HBW2GR1/HBW2GR3/HBW4GR1

WDR IR Rugged IP Bullet Cameras

ORDERING

SYSTEM INTEGRATION

OPEN IP INTEGRATION

ONVIF support and open API software integration. Refer to www.onvif.org for the ONVIF specification and the Honeywell Open Technology Alliance website (<http://www.security.honeywell.com/hota/>) to learn more about our open and integrated solutions.



ACCESSORIES

HOUSINGS AND MOUNTS

| | |
|--------|--|
| HBG-BB | IP66 Back Box (for Cable Termination) |
| HBG-FP | Front Lens Plate (for Replacement if Vandalized) |

ORDERING

CAMERAS

| | |
|---------|---|
| HBL2GR1 | Network TDN Ultra Low-Light, 140 dB Wide Dynamic, IR Bullet Camera, 1/2.8" Imager, 2 MP, 2.7-12 mm MFZ Lens, 4 IR LEDs, PoE+, H.264 |
| HBW2GR1 | Network TDN Low-Light, 120 dB Wide Dynamic, IR Bullet Camera, 1/2.7" Imager, 2 MP, 2.7-12 mm MFZ Lens, 4 IR LEDs, PoE, H.264 |
| HBW2GR3 | Network TDN Low-Light, 120 dB Wide Dynamic, IR Bullet Camera, 1/2.7" Imager, 2 MP, 5-50 mm MFZ Lens, 4 IR LEDs, PoE, H.264 |
| HBW4GR1 | Network TDN Low-Light, 120 dB Wide Dynamic, IR Bullet Camera, 1/3" Imager, 4 MP, 2.7-12 mm MFZ Lens, 4 IR LEDs, PoE, H.264 |

Find out more

www.honeywellsolutions.com/uk
Email: securitysales@honeywell.com

Honeywell Security and Fire

United Kingdom
Aston Fields Road
Whitehouse Industrial Estate
Runcorn, Cheshire WA7 3DL
United Kingdom
Tel: +44 (0)8448 000 235
www.honeywell.com

Honeywell reserves the right, without notification, to make changes in product design or specifications.

HSFV-HBWR-01-UK(O916)DS-E
© 2016 Honeywell International Inc.

Honeywell