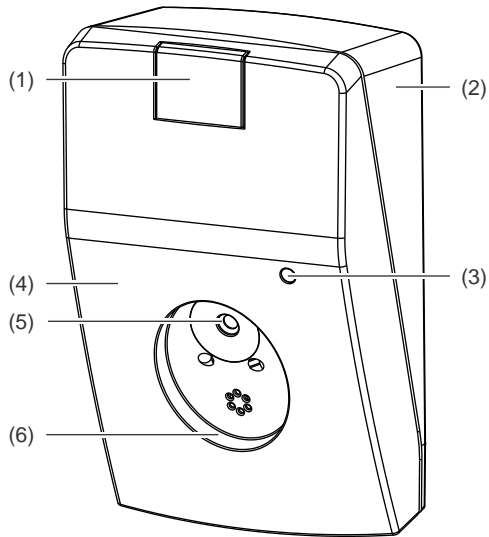


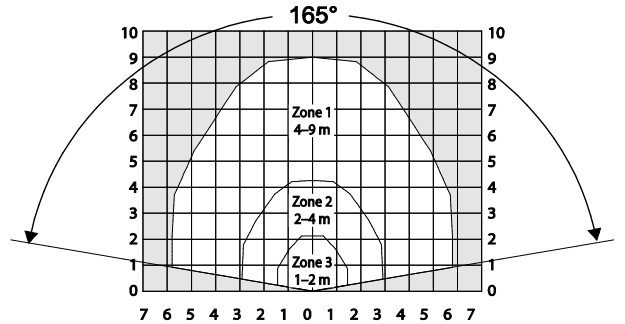
# GS960AM Acoustic Glass Break Detector with Antimasking Installation Sheet

EN DE ES FR IT NL PL PT SV

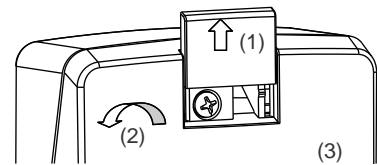
1



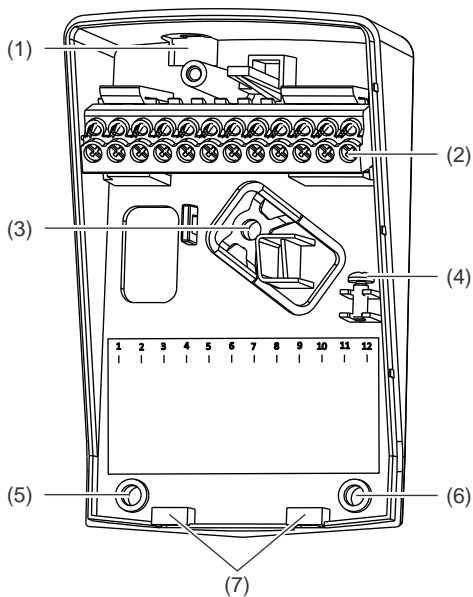
2



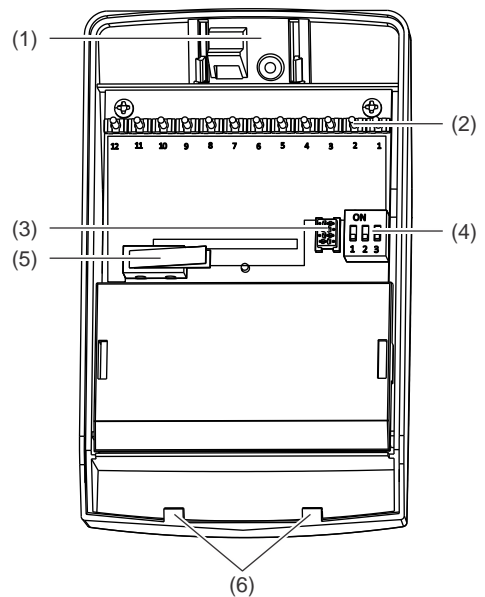
3



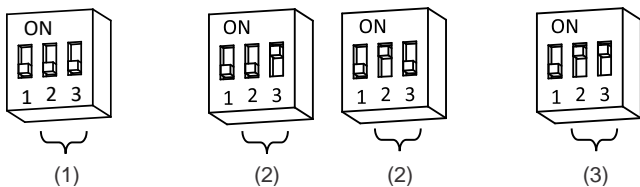
4



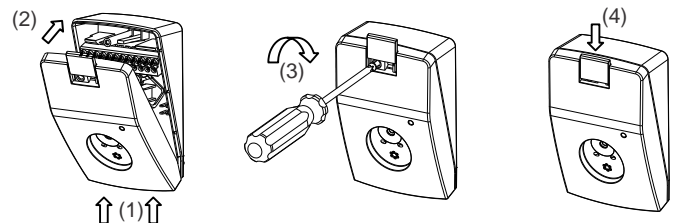
5

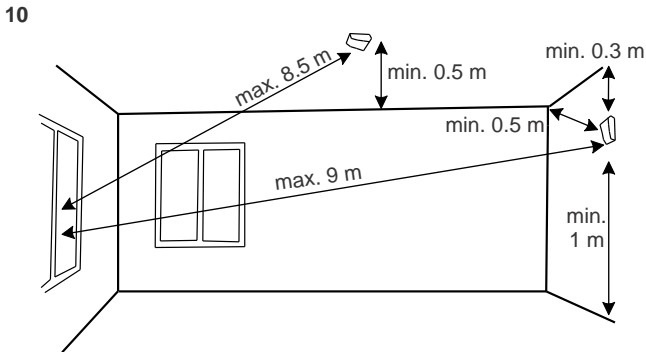
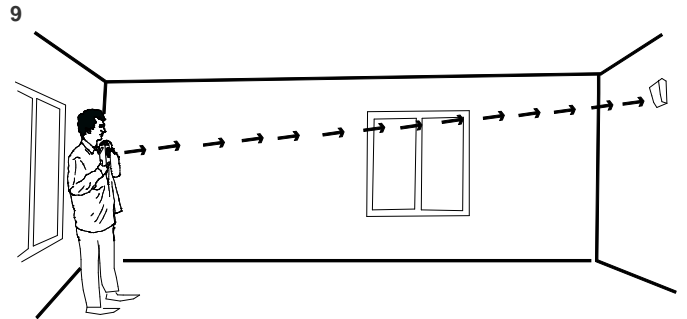
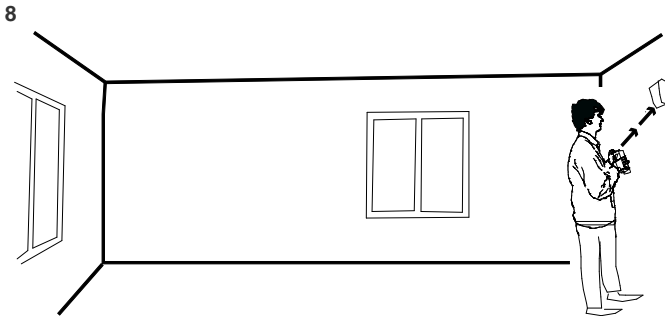


6



7





## EN: Installation Sheet

### Description

GS960AM is an acoustic glass break detector giving an alarm when glass is smashed at intruder attempts through windows, doors and glazed walls.

The detector is based on advanced microcontroller technology and programmed to take a lot of relevant acoustic factors into account: the Digital Room Compensation (DRC). This makes the detector able to distinguish between a true glass break and other irrelevant sounds.

The detector is for indoor use. The coverage distance is 1 to 9 m (see Figure 2). The coverage angle is 165°, which means that one detector can protect several windows in the same room. The detector can be mounted in the ceiling or on a wall with a free "line-of-sight" to the window being protected.

GS960AM is equipped with an AM function, a separate relay, which gives an alarm at sabotage of microphone.

GS960AM is certified according to EN 50131-2-7-1:2012, Security Grade 3.

Figure 1: Detector layout

- |                |                              |
|----------------|------------------------------|
| (1) Cover lock | (4) Cover                    |
| (2) Base       | (5) Microphone               |
| (3) LED        | (6) Masking detection device |

Figure 4: Detector base

- |                              |  |
|------------------------------|--|
| (1) Cable jacket "knock-out" | (5) Mounting hole 2                      |
| (2) Terminal block           | (6) Mounting hole 3                      |
| (3) Mounting hole 1          | (7) Slots for assembling the cover hooks |
| (4) Cover screw              |  |

Figure 5: Cover

- |                         |   |
|-------------------------|---|
| (1) Cover lock          | (4) PC interface                        |
| (2) Terminal block pins | (5) DIP switch                          |
| (3) Tamper switch       | (6) Hooks holding the cover to the base |

### Connection to a 24-hour loop

The detector is constructed for continuous supervision and is extra resistant to different acoustic disturbances. It will function well in most environments. However in rooms with very high rates of disturbances as in industrial workshops and gyms, it is recommended to test the detector for 3 to 4 weeks before deciding to use it continuously. In rare cases a combination of random sounds can trigger an alarm.

### Signalled events

Detector has two relays and one micro-switch to signal detected and processed events to control panel in prioritised order as following signals:

- Glass break – signalled by INTRUSION relay
- Low power supply voltage or self-test fail – signalled by FAULT relay
- Masking – signalled by INTRUSION and FAULT relay
- Sabotage – signalled independently by TAMPER micro-switch

Event	Signal sent by relay or micro-switch		
	Intrusion	Fault	Tamper
No stimulus	Closed	Closed	Closed
Intrusion	OPEN	Closed	Closed
Masking	OPEN	OPEN	Closed
Low Supply Voltage	Closed	OPEN	Closed
Local Self-Test Fail	Closed	OPEN	Closed
Tamper	Closed	Closed	OPEN

### Special tools

In most rooms (for example, offices) no special tools are required during the installation. In rooms with complicated acoustics it is recommended to use the GS960-TR tester. GS960-TR can also be used for function test and annual service.

See also "Check the settings with GS960-TR tester" on page 4.

### Opening the detector

See Figure 3.

To open the detector, follow these steps:

1. Slide the lock cover up (Figure 3, item 1).

2. Loosen the screw (item 2).
3. Pull cover to open (item 3).

## Mounting instructions

- Detector should be installed on a ceiling or on a wall opposite to the glass to be protected.
- Clear “line-of-sight” between the “microphone” of the detector and the glass is required.
- Detector location for wall or ceiling mount is shown in Figure 10.
  - Distance between the glass and the detector should be 1 to 9 m.
  - Detector should be installed min. 50 cm from a corner.
  - Detector should be installed min. 1 m over the floor.
  - Detector should be installed min. 30 cm from the ceiling (at wall mounting).
- Detector should be installed on a flat surface, which is free from objects in a radius of 50 cm from the detector.
- Detector should not be installed close to air vents or big sound reflecting obstacles.
- Never mount the detector in the corners.

## Installation

1. Choose the best mounting position on the wall or ceiling.
2. Loosen the cover screw and remove the upper part
3. Use the bottom part as a template and mark the place of the holes of with a pen
4. Use a 2.5 mm drill for the self-tapping screws provided. If necessary, use wall anchors
5. If necessary, cut out the marked “knockout hole” on the back of the base with a pair of tongs
6. Pull the wiring cable through the “knockout hole” in the bottom plate
7. Connect the wires to the screw terminals. See Table 1 below for information.
8. Use the cable strap provided to fix the wiring cable to the detector.
9. Fix the detector firmly to the base with the enclosed screws.
10. Set the desired range, i.e. the detector sensitivity setting by using the DIP switch no 2 and 3. See “DIP switch” below for details.
11. Check the window constructions and note what kind of glass is used and especially in the pane closest to the room.

**Table 1: Terminal pins**

Pin	Marking	Function
1	(-)	Ground
2	(+)	Plus 7 to 30 V DC
3	D/N	Day and Night control of LED
4	INTRUSION	INTRUSION relay output C

Pin	Marking	Function
5	INTRUSION	INTRUSION relay output NC
6	Spare	Spare contact (unconnected)
7	FAULT	FAULT relay output C
8	FAULT	FAULT relay output NC
9	Spare	Spare contact (unconnected)
10	TAMPER	Tamper switch output C
11	TAMPER	Tamper switch output NC
12	Spare	Spare contact (unconnected)

**Note:** You can use the additional accessory GS960-RB plug-in EOL resistor board, which allows you to easily integrate GS960AM into an existing Advisor Advanced system without the hassle of adding EOL resistors.

## DIP switch

DIP switch functions are described in Table 2 below.

**Table 2: DIP switch functions**

DIP	Function	Setting		
		ON: Latch	OFF: Auto	
1	INTRUSION relay mode			
2	Range setting	4 to 9 m Zone1	2 to 4 m Zone 2	1 to 2 m Zone 3
		OFF	OFF	ON
3	Range setting	OFF	ON	OFF
		OFF	ON	ON

### INTRUSION relay mode

- DIP 1 ON: INTRUSION relay mode ON means the INTRUSION relay will Latch and be open in alarm.
- DIP 1 OFF: INTRUSION relay mode OFF means the INTRUSION relay will be auto reset after 2 seconds in alarm.

### Range

DIP switch range settings are shown in Figure 6.

**Figure 6: DIP switch range settings**

- (1) 4 to 9 m, Zone 1: OFF, OFF
- (2) 2 to 4 m, Zone 2: OFF, ON, or ON, OFF
- (3) 1 to 2 m, Zone 3: ON, ON

## Suggested settings of the detector depending on window design and type of glass

Check the window constructions and note what kind of glass is used and especially in the pane closest to the room.

- **Single glazed** (float & tempered) – Set the detector at the measured distance from the glass to the detector.
- **Double glazed** (float & tempered). If there are high disturbances in the surroundings – set the detector at the measured distance from the glass to the detector. At normal or low disturbances – the detector shall be set at Zone 1.
- **Double glazed** where the inner pane is covered with **security film** – Set the detector at Zone 1 apart from the measured distance.

- **Triple glazed** (float & tempered) – Set the detector at Zone 1 apart from measured distance.
- **Laminated glass** – Set the detector at Zone 1 apart from the measured distance.

Window design	Glass type of pane inside room		Range		
			1–2 m	2–4 m	4–9 m
Single glazed	Float & tempered		Zone 3	Zone 2	Zone 1
Double glazed	Float & tempered	High disturbances	Zone 3	Zone 2	Zone 1
		Low disturbances	Zone 1		
Triple glazed	Float & tempered		Zone 1		
Double glazed with security film	Float with security film		Zone 1		
Single & multi-glazed	Laminated		Zone 1		

## Closing the detector

To close the detector, follow these steps

1. Insert cover hooks into slots in the base (Figure 7, item 1).
2. Close the cover (item 2).
3. Tighten the locking screw (item 3).
4. Slide down the lock cover (item 4).

## Check the settings with GS960-TR tester

If the detector is placed too far or too close from the glass, it will not respond. At DRC testing the LED of the detector will flash 1, 2 or 3 times to show it is in a certain Zone. If it does not flash a better place must be selected.

1. Put the cover on and make sure it hooks properly into the base of the detector.
2. Apply power. LED will now indicate your range setting by blinking 1 to 3 times.
3. Use GS960-TR to test and calibrate the detector for optimal position.

## Testing and calibrating

GS960-TR tester is a specially developed tool for calibrating and adjusting the detector GS960AM for optimal function in the acoustic room – the DRC Digital Room Compensation procedure. When testing the detector settings you do not need to open it again as the tester will communicate with the detector acoustically. Never test the GS960AM with a cover disassembled from a base. Make sure the cover is fastened properly.

**Caution:** Do not use the GS960-TR tester in proximity to your ears as the tester produces loud noises.

## Digital room compensation procedure

Prepare the acoustic detector for DRC by setting the D/N line (if used) in DAY mode – D/N line should be left open or Low.

1. Press the START button of the GS960-TR tester to put the power on. Green LED will light.
2. Hold the tester 1 to 3 m from the detector and aim the speaker at it.
3. Press the START button once more to initiate the DRC mode. The LED on the detector will start to flicker. See Figure 8.
4. Go to the furthest distance (max. 9 m) of the glass to be protected and aim the speaker at the detector. See Figure 9.

The DRC range calculated by the detector will be displayed as a number of pulses from 1 to 3.

5. Press the DRC button to send a DRC signal out. Make this 2 to 10 times from different angles of the protection area for optimal capability. The LED will flash confirming it has received the signal. The LED will then start to blink and flicker. The DRC range calculated by the detector will be displayed as a number of pulses from 1 to 3. In case of too weak or too strong signals outside the compensation range (means that the detector is placed too close or too far from the object to be protected), the detector will then not show DRC range.
6. Press the STOP button from a distance of 1 to 3 m from the detector to terminate the DRC procedure.

If DRC range measured by the detector is different from actual DIP switch settings, the LED will continue to blink 1 to 3 times showing the correct range number to be set in the detector.

- The LED blinks 1 time: set to Zone 1 (4 to 9 m)
- The LED blinks 2 times: set to Zone 2 (2 to 4 m)
- The LED blinks 3 times: set to Zone 3 (1 to 2 m)

## Protecting several windows by one detector

Detector can protect several windows in one room if the windows are within the coverage area. Make independent DRC test for each window to be protected. Follow the procedure above for each window. The detector shall be set to the lowest Zone number that is the longest range from the detector.

## Timeout

Both the GS960AM detector and GS960-TR tester are equipped with a timeout feature. The GS960AM will stop the DRC mode and the GS960-TR will switch off power if no activity has happened within 3 to 4 minutes.

## D/N control (Day/Night)

The D/N makes it possible to remote control the alarm indications of the detectors and remote reset during DAY->NIGHT transition. The D/N increases the security of the detector, as it enables the alarm indications to be concealed in NIGHT mode without any influence on the relay function.

## Self-test

Detector is continuously checking all vital parts responsible for proper detection of glass break signal using internal self-test procedure.

## Anti-masking

To test the anti-masking system, follow these steps:

1. Put the power on. Seal microphone completely with elastic material like plasticine, chewing gum or isolation tape.  
INTRUSION and FAULT relays will open after max. of 180 s signalling masking of microphone.
2. Remove sealing material from microphone. Relays will close in less than minute.

## Understanding the LED when the detector is in operation

The LED can have the following states in operation:

- Flashes 1 to 3 times when powered ON: Indication of range setting after power-on
- Off: Normal state, no alarms
- Permanently on: Intrusion detected – if detector in Latch mode
- Permanently on with 1 dip per 3 s: Masking detected
- Permanently on with 2 dips per 3 s: Low supply voltage or self-test failure
- Short blink: Antimasking warning – foreign object in close proximity of microphone

## Understanding the LED when testing the detector with GS960-TR tester

The LED can have the following states during the test:

- Flickers: In test mode
- Flickers and blinks: In calibration mode
- Flashes 1.5 s: Confirms received signal
- Blinks slowly 1 time each 2.5 s after calibration: Set range setting to Zone 1 (4 to 9 m)
- Blinks slowly 2 times each 2.5 s after calibration: Set range setting to Zone 2 (2 to 4 m)
- Blinks slowly 3 times each 2.5 s after calibration: Set range setting to Zone 3 (1 to 2 m)

## Troubleshooting

Detector does not respond:

- Check the supply voltage and polarity

LED permanently on:

- Switch off the detector for a short period
- Check if LED is in latching mode (DIP 1 ON)

LED permanently on with 1 dip per 3 s:

- Check if microphone not masked with foreign material

LED permanently on with 2 dips per 3 s:

- Check supply voltage – it should be higher than 7 V

No alarm:

- Check the INTRUSION and FAULT relay wiring
- Check the alarm loop wiring

## Specifications

Type (thickness) of protected glass:

Minimum	Float (4 mm)
Maximum	Laminated P4 (4 + 4 mm)
Size of protected glass	40 × 40 cm min.
Max range	9 m radius/165°
Range setting	Zone 1: 4 to 9 m Zone 2: 2 to 4 m Zone 3: 1 to 2 m
Supply voltage	7 to 30 V DC
Max. voltage ripple	2 Vp-p at 12 V, 4 Vp-p at 24 V
Voltage monitoring	Fault signalled at < 7 V
Current consumption, max.	11.4 mA at 12 V, 7.2 mA at 24 V
D/N signal levels	DAY: D/N open or < 2.5 V, NIGHT: D/N > 2.5 V
INTRUSION output, FAULT output	Relay
INTRUSION and FAULT relay contact rating	50 mA, 50 V DC / peak AC, Rs ≤ 30 Ω
TAMPER contact rating	50 mA / 50 V DC / peak AC
Intrusion/fault indication	LED
Environmental class EN 50130-5:2011, VdS 2110	Class I
Operating temp. range	+5 to 40°C
Operating humidity range	Max. 93% RH
Housing material	Plastic ABS, white
Dimensions (W x H x D)	68 x 109 x 40 mm
Security grade	EN 50131-2-7-1:2012/A1:2013, Grade 3; VdS 2332, class B
Approvals	VdS: G118505
Accessory	GS960-RB plug-in EOL resistor board

## Regulatory information

Manufacturer	PLACED ON THE MARKET BY: Carrier Fire & Security Americas Corporation Inc. 13995 Pasteur Blvd Palm Beach Gardens, FL 33418, USA  AUTHORIZED EU REPRESENTATIVE: Carrier Fire & Security B.V. Kelvinstraat 7, 6003 DH Weert, Netherlands
--------------	---

Product warnings and disclaimers

THESE PRODUCTS ARE INTENDED FOR SALE TO AND INSTALLATION BY QUALIFIED PROFESSIONALS. CARRIER FIRE & SECURITY CANNOT PROVIDE ANY ASSURANCE THAT ANY PERSON OR ENTITY BUYING ITS PRODUCTS, INCLUDING ANY "AUTHORIZED DEALER" OR "AUTHORIZED RESELLER", IS PROPERLY TRAINED OR EXPERIENCED TO CORRECTLY INSTALL FIRE AND SECURITY RELATED PRODUCTS.



For more information on warranty disclaimers and product safety information, please check <https://firesecurityproducts.com/policy/product-warning/> or scan the QR code.

Certification



European Union directives

Carrier Fire & Security hereby declares that this device is in compliance with the applicable requirements and provisions of the Directive 2014/30/EU. For more information see [www.firesecurityproducts.com](http://www.firesecurityproducts.com) or [www.aritech.com](http://www.aritech.com).

REACH

Product may contain substances that are also Candidate List substances in a concentration above 0.1% w/w, per the most recently published Candidate List found at ECHA Web site.

Safe use information can be found at <https://firesecurityproducts.com/en/content/intrusion-intro>



2012/19/EU (WEEE directive): Products marked with this symbol cannot be disposed of as unsorted municipal waste in the European Union. For proper recycling, return this product to your local supplier upon the purchase of equivalent new equipment, or dispose of it at designated collection points. For more information see: [recyclethis.info](http://recyclethis.info)

### Contact information

[www.firesecurityproducts.com](http://www.firesecurityproducts.com) or [www.aritech.com](http://www.aritech.com)

For customer support, see [www.firesecurityproducts.com](http://www.firesecurityproducts.com)

## DE: Installationsanleitung

### Beschreibung

Der GS960AM ist ein akustischer Glasbruchmelder, der Einbrüche durch verglaste Flächen, wie Fenster, Türen und Wände detektiert und meldet.

Der Melder basiert auf modernster Mikroprozessor Technologie. Bei seiner Programmierung mit der Digital-Raum-Kompensation (DRC) wurden viele akustische Größen eingespeist, wodurch der Melder die Geräusche eines Glasbruchs sehr gut von anderen Geräuschen unterscheiden kann. Der Melder ist nur für die Anwendung in Innenräumen geeignet.

Der Erfassungsbereich ist 1–9 m und der Erfassungswinkel beträgt 165°. Dies ermöglicht, dass mit einem Melder in einem Raum, mehrere Fenster überwacht werden können. Der Melder kann an der Decke oder Wand, aber mit freier Sicht zu den überwachten Fenstern, montiert werden.

Der GS960AM ist mit einer aktiven Abdecküberwachungsfunktion ausgestattet, die bei einer Abdeckung des Mikrofons des Melders, mittels eines Relais eine Meldung generiert.

Der GS960AM ist nach EN 50131-2-7-1: 2012, Grad 3, zertifiziert.

#### Abbildung 1: Melder-Übersicht

- |                      |                       |
|----------------------|-----------------------|
| (1) Deckelverschluss | (4) Gehäusedeckel     |
| (2) Gehäuseboden     | (5) Mikrofon          |
| (3) LED Anzeige      | (6) Abdecküberwachung |

#### Abbildung 4: Gehäuseboden

- |                                     |   |
|-------------------------------------|---|
| (1) Kabelzuführung (zum Ausbrechen) | (5) Montageloch #2                      |
| (2) Klemmliste                      | (6) Montageloch #3                      |
| (3) Montageloch #1                  | (7) Vertiefungen für Befestigungskralen |
| (4) Deckelschraube                  |   |

#### Abbildung 5: Gehäusedeckel

- |                                 |  |
|---------------------------------|--|
| (1) Deckelverschluss            | (4) PC-Schnittstelle                                   |
| (2) Stifte der Anschlussklemmen | (5) Dip-Schalter                                       |
| (3) Sabotagekontakt             | (6) Kralen zur Befestigung des Gehäusedeckels im Boden |

### Anschluss an eine ständig scharfgeschaltete (bzw. Internscharfe) Meldelinie

Der Glasbruchmelder ist gegen glasbruchfremde akustische Störungen immun und deswegen für eine ständige Glas Überwachung geeignet und wird unter den allermeisten Umgebung Bedingungen störungsfrei Funktionieren. Wird der Melder in Räumlichkeiten in denen mit starken Störungen zu rechnen ist, wie Werkstätten oder Turnhallen, verwendet, sollte eine drei- bis vierwöchige Testphase durchgeführt werden, bevor der Melder zur ständiger Überwachung aufgeschaltet wird. Andernfalls könnte der Melder bei seltenen, zufälligen Schall Kombinationen eine Falschmeldung generieren.

### Zustandsmeldungen

Der Melder Verfügt über zwei Relais und ein Mikroschalter derer Meldungen an die Einbruchmeldezentralen mit folgender Priorität verarbeitet werden:

- Einbruch — gemeldet durch Alarmrelais
- Störung — gemeldet durch Störungsrelais
- Abdeckung — gemeldet durch Alarmrelais und Störungsrelais
- Sabotage — unabhängig gemeldet durch Sabotageschalter

Zustand des Melders	Meldungen der Relais und des Mikroschalters		
	Einbruch Relais	Störungsrelais	Sabotage Schalter
In Ruhe	Geschlossen	Geschlossen	Geschlossen
Einbruch	OFFEN	Geschlossen	Geschlossen
Abdeckung	Geschlossen	OFFEN	Geschlossen
Unterspannung	OFFEN	OFFEN	Geschlossen
Lokaler Selbsttestfehler	OFFEN	OFFEN	Geschlossen
Sabotage	Geschlossen	Geschlossen	OFFEN

## Spezialwerkzeuge DRC Tester GS960-TR

Für die Installation in den meisten Räumlichkeiten, wie Büros, ist die Anwendung dieser Spezialwerkzeuge, für die Installation des Melders nicht notwendig. In Räumlichkeiten mit komplizierten akustischen Verhältnissen wird die Anwendung des Testgerätes GS960-TR empfohlen. Der GS960-TR ist auch für die anschließende Funktion überprüfen und die Jahresinspektionen der Glasbruch Melder verwendbar.

Siehe auch „Überprüfung der Einstellungen mit dem Tester GS960-TR“ auf Seite 8.

## Das Öffnen des Melders

Siehe Abbildung 3.

**Um den Melder zu öffnen, führen Sie die folgenden Schritte aus:**

1. Schiebe die Abdeckung des Deckelverschlusses hoch (Abbildung 3, Position 1)
2. Löse die Deckelschraube (Position 2)
3. Ziehe den Deckel des Melders ab (Position 3)

## Montageanleitung

- Der Melder sollte an der Decke oder Wand gegenüber der zu überwachenden Verglasung an einer Stelle, an der das Mikrofon des Melders eine direkte Sicht zur überwachenden Verglasung hat, montiert werden.
- Der Montageabstand zwischen dem Melder und der überwachenden Verglasung soll 1–9 m betragen.
- Der Melder sollte:
  - mindestens 50 cm von der Ecke,
  - mindestens 1 m vom Boden.
  - mindestens 30 cm von der Decke des Raumes (bei einer Wandmontage) entfernt, montiert werden.
- Der Melder soll an einem Ort mit ebenem Untergrund und an dem in einem 50 cm Radius keine Gegenstände angebracht sind, montiert werden.
- Vermeiden Sie die Montage des Melders in Ventilatoren nähe.
- Vermeiden Sie große schallreflektierende Hindernisse in der Nähe des Melders.
- Montieren Sie niemals den Melder in der Ecke des Raumes.

## Installation des Melders

1. Wählen Sie den bestgeeigneten Montageort des Melders an der Wand oder Decke.
2. Lösen Sie die Deckelschraube und entnehmen Sie den Deckel des Melders.
3. Verwenden Sie den Gehäuseboden des Melders als Schablone und markieren Sie die Lage der Befestigungslöcher mit dem Bleistift an der Wand.

4. Für die beigefügten gewindeselbstschneidenden Schrauben benutzen Sie einen 2,5 mm dicken Bohrer. Wenn nötig, wenden Sie Wanddübel an.
5. Bei Bedarf brechen Sie die vorgestanzte Öffnung für die Kabelzuleitung im Boden des Melders mit einer Schneidzange aus.
6. Führen Sie die Kabelleitung durch die geschaffene Öffnung durch.
7. Schließen Sie die einzelne Ader der Zuleitung an der Klemmleiste an. Siehe Tabelle unten.
8. Fixieren Sie mit dem beigefügten Kabelbinder die Kabelzuleitung.
9. Befestigen Sie den Deckel des Melders mit der mitgelieferte Schraube im Gehäuseboden.
10. Einstellung der gewünschten Reichweite bzw. Ansprechempfindlichkeit mittels der Dip-Schalter 2 und 3. Siehe „Dip-Schalterfunktionen“ unten.
11. Überprüfen Sie die Fensterkonstruktionen und beachten Sie, welche Art von Glas verwendet wird und vor allem in der Scheibe am nächsten zum Raum.

**Tabelle 1: Klemmleiste**

Klemme	Bezeichnung	Funktion
1	(-)	0V
2	(+)	7 bis 30 V DC
3	D/N	Scharf/Unscharf LED-Ansteuerung
4	INTRUSION	Alarmrelaisausgang C
5	INTRUSION	Alarmrelaisausgang NC (In Ruhe geschlossen)
6	Spare	Potentialfreie Klemme
7	FAULT	Störungsrelaisausgang C
8	FAULT	Störungsrelaisausgang NC
9	Spare	Potentialfreie Klemme
10	TAMPER	Sabotagekontakt C
11	TAMPER	Sabotagekontakt NC
12	Spare	Potentialfreie Klemme

**Hinweis:** Mit dem zusätzlichen Zubehör GS960-RB (einsteckbare EOL-Widerstandsplatine) kann die Anschaltung des GS960AM in einem bestehenden Advisor Advanced System einfach ohne EOL-Einzelwiderstände erfolgen.

## Dip-Schalterfunktionen

Die Dip-Schalter Funktionen sind in Tabelle 2 beschreiben.

**Tabelle 2: Dip-Schalterfunktionen**

Dip	Funktion	Einstellung			
		EIN:		AUS:	
1	Alarmrelais-Modus	Speichermodus		Automatikmodus	
2	Reichweiteeinstellung	4–9 m Zone 1	2–4 m Zone 2		1–2 m Zone 3
		AUS	AUS	EIN	EIN
3	Reichweiteeinstellung	AUS	EIN	AUS	EIN

## Alarmrelais-Modus

- Dip 1 in der Position EIN: Das Alarmrelais befindet sich im Speichermodus. Nach einem Alarm bleibt das Relais im Alarmzustand.
- Dip 1 in der Position AUS: Das Alarmrelais setzt sich nach 2 Sekunden automatisch zurück.

## Reichweiteeinstellung

Die Dip-Schalter Reichweiteeinstellung ist in Abbildung 6 dargestellt.

### Abbildung 6: Reichweiteeinstellung

- (1) 4–9 m, Zone 1: AUS, AUS
- (2) 2–4 m, Zone 2: AUS, EIN, oder EIN, AUS
- (3) 1–2 m, Zone 3: EIN, EIN

## Empfohlene Empfindlichkeitseinstellung des Melders in Abhängigkeit von Fensterkonstruktion und der Art der Verglasung

Überprüfen Sie die Fensterkonstruktion und stellen Sie die Art der Verglasung, insbesondere der inneren Scheibe des Fensters, fest.

- **Einfachverglasung** (Fenster Glas und ESG) — stellen Sie die Empfindlichkeit des Melders entsprechend der gemessenen Entfernung des Melders zur Verglasung, ein.
- **Doppelverglasung** (Fenster Glas und ESG) in Räumlichkeiten mit hohem Störungspegel — stellen Sie die Empfindlichkeit des Melders entsprechend der gemessenen Entfernung des Melders zur Verglasung, ein. In Räumlichkeiten mit normalem bzw. niedrigem Störungspegel — stellen Sie die Empfindlichkeit, um die optimale Funktion des Melders zu gewährleisten, für die Zone 1 (4–9 m) ein.
- **Doppelverglasung** dessen innere Scheibe mit **Sicherheitsfolie** beklebt ist — stellen Sie die Empfindlichkeit des Melders für die Zone 1 (4–9 m), unabhängig von der gemessenen Entfernung des Melders zur Verglasung, ein.
- **Dreifachverglasung** (Fenster Glas und ESG) — stellen Sie die Empfindlichkeit des Melders für die Zone 1 (4–9 m), unabhängig von der gemessenen Entfernung des Melders zur Verglasung, ein.
- **Verbundsicherheitsglas** (VSG) — stellen Sie die Empfindlichkeit des Melders für die Zone 1 (4–9 m), unabhängig von der gemessenen Entfernung des Melders zur Verglasung, ein.

Fensterkonstruktion	Glas Art auf der Innenseite des Fensters		Reichweite		
			1–2 m	2–4 m	4–9 m
Einfachverglasung	Fenster Glas und ESG		Zone 3	Zone 2	Zone 1
Doppelverglasung	Fenster Glas und ESG	Hoher Störungspegel	Zone 3	Zone 2	Zone 1
		Niedriger Störungspegel	Zone 1		
Dreifachverglasung	Fenster Glas und ESG		Zone 1		

Fensterkonstruktion	Glas Art auf der Innenseite des Fensters	Reichweite		
		1–2 m	2–4 m	4–9 m
Doppelverglasung mit Sicherheitsfolie	Fenster Glas mit Sicherheitsfolie	Zone 1		
Einfach- u. Mehrfachverglasung	Verbundsicherheitsglas (VSG)	Zone 1		

## Anbringung des Melderdeckels

1. Setzen Sie Krallen des Gehäuse Deckels in die Vertiefungen im Gehäuseboden (Abbildung 7, Position 1), ein.
2. Schließen Sie das Gehäuse indem Sie den Verschluss (Position 2) einrasten.
3. Drehen Sie die Deckel-schraube (Position 3) fest.
4. Schieben Sie den Verschluss Schieber ein (Position 4).

## Überprüfung der Einstellungen mit dem Tester GS960-TR

Wenn der Melder zu nah oder zu weit von der zu überwachenden Verglasung montiert ist, ist diese Prüfung nicht durchführbar. Im DRC-Test blitzt die LED-Anzeige des Melders einmal, zweimal oder dreimal und zeigt somit die einzustellende Überwachungszone an. Blitzt die Anzeige nicht, muss ein günstigerer Montageort gewählt werden.

1. Bringen Sie den Deckel des Melders an, in dem Sie die Befestigungskrallen des Deckels in den Gehäuseboden sicher einrasten lassen und drehen Sie die Deckel Schraube fest zu.
2. Schalten Sie die Versorgungsspannung ein. Die LED zeigt Ihnen durch ein- bis dreimaliges Aufblinken die Übernahme der einprogrammierten Empfindlichkeitseinstellung.
3. Für die optimale Kalibrierung und Überprüfung des Melders benutzen Sie den Tester GS960-TR.

## Prüfung und Kalibrierung

Der GS960-TR ist ein speziell entwickeltes Gerät zur Kalibrierung und Justierung des akustischen Glasbruchmelders GS960AM und zur Überprüfung dessen optimaler Funktion in akustischen Räumlichkeiten mit Hilfe des s.g. DRC (Digital Room Compensation) Verfahrens. Für die Überprüfung der Empfindlichkeitseinstellungen ist eine Öffnung des Melders nicht notwendig. Das Gerät kommuniziert mit dem Melder akustisch. Testen Sie nie den GS960AM ohne Deckel. Sorgen Sie dafür, dass der Melder stets fest angebracht ist.

**WARNUNG!** Benutzen Sie das Testgerät GS960-TR nicht in Ohren nähe. Es erzeugt Geräusche hoher Lautstärke.



## Digitales Raumkompensation verfahren (DRC - Digital Room Compensation)

Bereiten Sie den akustischen Glasbruchmelder für das DRC-Verfahren vor, in dem Sie den Eingang/Klemme D/N (falls vorhanden) in den Modus „Unscharf“ schalten. (Eingang/Klemme D/N ist nicht beschaltet oder mit „-“ Potential angesteuert)

1. Schalten Sie das Testgerät GS960-TR durch Betätigung des Knopfs START ein. Die grüne LED leuchtet auf.
2. Halten Sie das Testgerät 1 bis 3 m entfernt, mit dem Lautsprecher in Richtung des Melders.
3. Betätigen Sie erneut den Knopf START um den DRC - Modus zu initiieren. Die LED des Melders fängt zu flackern an.
4. Gehen Sie bis zu der zu überwachenden Verglasung (max. 9m) und halten Sie das Testgerät mit dem Lautsprecher in Richtung des Melders.

Die durch den Melder berechnete BRC -Reichweite (Zone), wird mittels der Anzahl der Impulse (1 bis 3) mit der LED angezeigt.

5. Zur Aussendung des DRC-Signals betätigen Sie 2 - 10-mal den Knopf DRC aus unterschiedlichen Winkeln des Raumes, um eine optimale Wirkung zu erreichen. Durch das Blinken der LED des Melders wird der Signalempfang bestätigt. Danach beginnt die LED zu blinken und flackern. Der vom Detektor berechnete DRC-Bereich wird als Anzahl von Impulsen von 1 bis 3 angezeigt. Im Fall, dass das Signal zu schwach oder zu stark für die Berechnung der DRC ist, (der Melder ist zu nah zum oder zu weit vom zu überwachenden Objekt montiert), wird DRC-Reichweite (Zone) am Melder nicht angezeigt.
6. Um das DRC-Verfahren zu beenden, bringen Sie das Testgerät in Entfernung von 1 bis max. 3 m zum Melder und betätigen Sie den Knopf STOP.

Wenn die durch den Melder gemessene DRC-Reichweite (Zone) nicht der von Ihnen eingestellten Dip-Schalterkombination entspricht, dann blinkt die LED- Anzeige wiederholt ein- zwei- oder dreimal und zeigt somit die korrekt einzustellende Zone, an.

- Wenn die LED einmal blinkt, stellen Sie Dip-Schalter Kombination der Zone 1 (4–9 m) entsprechend, ein.
- Wenn die LED zweimal blinkt, stellen Sie Dip-Schalter Kombination der Zone 2 (2–4 m) entsprechend, ein.
- Wenn die LED dreimal blinkt, stellen Sie Dip-Schalter Kombination der Zone 3 (1–2 m) entsprechend, ein.

## Überwachung mehrerer Fenster mit einem melder

Es können mit einem Melder mehrere Fenster in einem Raum überwacht werden, wenn sie sich in seinem Überwachungsbereich befinden. Führen Sie eine eigenständige DRC- Prüfung, wie oben beschrieben, für jedes zu überwachende Fenster durch. Der Melder muss für die niedrigste Zonenzahl, dass bedeutet für die maximale Reichweite eingestellt werden.

## Zeitbegrenzung des Prüfverfahrens

Die DRC-Prüffunktion ist bei beiden Geräten sowohl beim Melder als auch bei dem Testgerät zeitbegrenzt. Wenn keine weiteren Tests durchgeführt werden, wird die DRC-Funktion des Melders sowie des Testers GS960-TR nach 3–4 Minuten abgebrochen.

## Fernsteuerung des „Scharf/unscharf“- Modus des Melders

Der (D/N) „scharf/unscharf“ Eingang des Melders ermöglicht die Fernansteuerung sowie Rücksetzung der Alarmanzeige (LED). Dadurch wird die Sicherheit der Melder Funktion erhöht. Dazu wird die Alarm anzeige ohne Auswirkung auf die Funktion des Alarmrelais, im „scharfen“ Zustand der Einbruchmeldeanlage (des Melders) abgeschaltet.

## Abdecküberwachung

Überprüfung des Abdecküberwachungssystems:

1. Schalten Sie die Versorgungsspannung ein. Decken Sie das Mikrofon mit elastischem Material wie Plastilin, Kaugummi oder Isolierband zu.  
  
Das Alarm- sowie Störungsrelais müssen spätestens 180 s. nach der Abdeckung des Mikrofons Alarm- bzw. Störungsmeldung generieren.
2. Nach der Abnahme des Abdeckmaterials sollen sich die beiden Relais innerhalb einer Minute im ursprünglichen Zustand befinden.

## Selbsttest

Der Melder verfügt über eine Selbsttestfunktion, die die wichtigen für die Erkennung des Glasbruchsignals verantwortlichen Teile, durchgehend überwacht.

## Beschreibung der LED-Funktionen während des Betriebs des Melders

Die LED kann die folgenden Betriebszustände annehmen:

- LED blinkt 1–3 mal nach Einschaltung der Versorgungsspannung: Anzeige der Bereichseinstellung nach dem Anlegen der Versorgungsspannung
- AUS: Normalzustand, ohne Alarm
- Ständig AN: Alarmmeldung – oder der Melder befindet sich im Speichermodus
- Ständig AN mit 1 Unterbrechung in 3 s: Ansprechen der Abdecküberwachung
- Ständig AN mit 2 Unterbrechungen in 3 s: Unter Spannungsmeldung oder fehlerhafter Selbsttest
- Kurzes Blinken: Abdeckungswarnung– fremdes Objekt befindet sich in der Nähe des Mikrofons

## Beschreibung der LED-Funktionen während der Prüfung des Melders mit dem GS960-TR Tester

Die LED kann die folgenden Zustände während des Tests annehmen:

- LED Flackert: Gerät befindet sich im Testmodus
- LED Flackert und blinkt: Gerät befindet sich im Kalibrierung Modus
- LED blitzt 1,5 s: Bestätigung des Signalempfangs
- LED blinkt nach der Kalibrierung langsam 1 mal innerhalb von 2,5 s: Feststellung der Bereichs Einstellung für Zone 1 (4–9 m)
- LED blinkt nach der Kalibrierung langsam 2 mal innerhalb von 2,5 s: Feststellung der Bereichs Einstellung für Zone 2 (2–4 m)
- LED blinkt nach der Kalibrierung langsam 3 mal innerhalb von 2,5 s: Feststellung der Bereichs Einstellung für Zone 3 (1–2 m)

## Fehlerbehebung

Melder spricht nicht an:

- Überprüfen Sie die Versorgungsspannung und deren Polarität.

Die LED-Anzeige leuchtet ständig:

- Trennen Sie den Melder für kurze Zeit von der Versorgungsspannung.
- Überprüfen Sie ob sich die LED-Anzeige im Speichermodus befindet (Dip-Schalter 1: EIN).

Die LED-Anzeige leuchtet ständig mit 1 Unterbrechung in 3 s:

- Überprüfen Sie, ob das Mikrofon nicht mit Fremdmaterial abgedeckt ist.

Die LED-Anzeige leuchtet ständig mit 2 Unterbrechungen in 3 s:

- Überprüfen Sie, ob die Versorgungsspannung höher als 7 V ist.

Keine Alarmmeldung:

- Überprüfen Sie, die Anschlüsse des Alarmrelais.
- Überprüfen Sie die Meldelinie.

## Technische Daten

Art und Dicke der überwachten Verglasung:

Minimum	Fensterglas (4 mm)
Maximum	VSG P4 (4+4 mm)
Größe der überwachten Verglasung	Min. 40 x 40 cm
Maximale Reichweite	9 m Radius / 165°
Reichweiteeinstellung	Zone 3 = 1–2 m Zone 2 = 2–4 m Zone 1 = 4–9 m
Versorgungsspannung	7–30 V, DC
Maximale Welligkeit der Versorgungsspannung	2 Vss bei 12 V, 4 Vss bei 24 V

Überwachung der Versorgungsspannung	Fehlermeldung bei $U_n < 7\text{ V}$
Stromverbrauch (max.)	11,4 mA bei 12 V, 7,2 mA bei 24 V
Ansteuerungssignal für „Scharf/Unscharf“ Eingang (D/N)	„Unscharf“ = D/N offen oder $< 2.5\text{ V}$ , „Scharf“ = D/N $> 2.5\text{ V}$
Alarm- und Störungsausgang	Relais
Kontaktbelastung des Alarm- und Störungsrelais	50 mA, 50 V DC/ss AC, $R_s \leq 30\ \Omega$
Maximale Belastung des Sabotagekontaktes	50 mA/50 V DC/ss AC
Alarm- und Störungsanzeige	LED
Umweltklasse EN 50130-5:2011, VdS 2110	Klasse I
Betriebstemperatur	+5 bis 40°C
Betriebsluftfeuchtigkeit	max. 95% RH
Material des Gehäuses	Kunststoff ABS, weiß
Abmessungen	68 x 109 x 40 mm
Sicherungskategorie	EN 50131-2-7-1: 2012/A1:2013, Grad 2; VdS 2332, Klasse B
Zertifizierung	VdS: G118505
Zubehör	GS960-RB einsteckbare EOL-Widerstandsplatine

## Rechtliche Hinweise

Hersteller	INVERKEHRBRINGER: Carrier Fire & Security Americas Corporation Inc. 13995 Pasteur Blvd Palm Beach Gardens, FL 33418, USA  BEVOLLMÄCHTIGTER EU REPRÄSENTANT: Carrier Fire & Security B.V. Kelvinstraat 7, 6003 DH Weert, Niederlande
------------	--

Produktwarnungen und Haftungsausschluss	DIESE PRODUKTE SIND FÜR DEN VERKAUF AN UND DIE INSTALLATION DURCH QUALIFIZIERTES PERSONAL VORGESEHEN. CARRIER FIRE & SECURITY ÜBERNIMMT KEINERLEI GEWÄHRLEISTUNG DAFÜR, DASS NATÜRLICHE ODER JURISTISCHE PERSONEN, DIE UNSERE PRODUKTE ERWERBEN, SOWIE „AUTORISIERTE HÄNDLER“ ODER „AUTORISIERTE WIEDERVERKÄUFER“ ÜBER DIE ERFORDERLICHE QUALIFIKATION UND ERFAHRUNG VERFÜGEN, UM BRANDSCHUTZ- ODER SICHERHEITSTECHNISCHE PRODUKTE ORDNUNGSGEMÄSS ZU INSTALLIEREN.
---	--



Weitere Informationen zu Haftungsausschlüssen sowie zur Produktsicherheit finden Sie unter <https://firesecurityproducts.com/policy/product-warning/>, oder scannen Sie den QR-Code.

Zertifizierung



Carrier Fire & Security erklärt hiermit, dass dieses Gerät den geltenden Anforderungen und Bestimmungen der Richtlinie 2014/30/EU entspricht. Für weitere Informationen siehe [www.firesecurityproducts.com](http://www.firesecurityproducts.com) oder [www.aritech.com](http://www.aritech.com).

## REACH

Das Produkt kann Stoffe enthalten, die auch unter Stoffe der Kandidatenliste in einer Konzentration von mehr als 0,1 % w/w gemäß der zuletzt veröffentlichten Kandidatenliste auf der ECHA-Website aufgeführt sind.

Informationen zur sicheren Verwendung finden Sie unter <https://firesecurityproducts.com/en/content/intrusion-intro>



2012/19/EU (WEEE): Produkte die mit diesem Symbol gekennzeichnet sind, dürfen nicht als unsortierter städtischer Abfall in der europäischen Union entsorgt werden. Für die korrekte Wiederverwertung bringen Sie dieses Produkt zu Ihrem lokalen Lieferanten nach dem Kauf der gleichwertigen neuen Ausrüstung zurück, oder entsorgen Sie das Produkt an den gekennzeichneten Sammelstellen. Weitere Informationen hierzu finden Sie auf der folgenden Website: [recyclethis.info](http://recyclethis.info)

## Kontaktinformationen

[www.firesecurityproducts.com](http://www.firesecurityproducts.com) oder [www.aritech.com](http://www.aritech.com)

Kontaktinformationen für den Kundendienst finden Sie unter [www.firesecurityproducts.com](http://www.firesecurityproducts.com)

## ES: Hoja de instalación

### Descripción

El GS960AM es un detector acústico de rotura de cristal que emite una alarma cuando se rompe un cristal en cualquier intento de intrusión a través de ventanas, puertas y paredes de vidrio.

El diseño del detector se basa en la tecnología avanzada de microcontroladores y está programado para considerar muchos factores acústicos relevantes gracias a la Compensación Digital de Habitaciones (DRC). Esto hace que el detector sea capaz de distinguir entre una verdadera ruptura de un cristal y otros sonidos irrelevantes.

El detector se ha diseñado para su uso en interiores. La distancia de cobertura es de 1 a 9 m (consulte la Figura 2). El ángulo de cobertura es de 165°, lo que significa que un detector puede proteger varias ventanas en la misma habitación. El detector se puede instalar en el techo o en una pared con una "línea de visión" libre hacia la ventana que protege.

El GS960AM viene equipado con una función AM, o lo que es lo mismo, un relé independiente que emite una alarma cuando se produce un sabotaje de micrófono.

*El GS960AM está certificado según la norma EN 50131-2-7-1:2012, grado de seguridad 3.*

### Figura 1: Diagrama del detector

- |                       |   |
|-----------------------|---|
| (1) Cierre de la tapa | (4) Tapa                                |
| (2) Base              | (5) Micrófono                           |
| (3) LED               | (6) Dispositivo de detección de máscara |

### Figura 4: Base del detector

- |   |   |
|---|---|
| (1) "Orificio ciego" de la cubierta del cable | (5) Orificio de montaje 2                             |
| (2) Bloque de terminales                      | (6) Orificio de montaje 3                             |
| (3) Orificio de montaje 1                     | (7) Ranuras para el montaje de los ganchos de la tapa |
| (4) Tornillo de la tapa                       |   |

### Figura 5: Tapa

- |                                    |   |
|------------------------------------|---|
| (1) Cierre de la tapa              | (4) Switch DIP                            |
| (2) Pines del bloque de terminales | (5) Switch de tamper                      |
| (3) Interfaz PC                    | (6) Ganchos que sujetan la tapa a la base |

## Conexión a un bucle de 24 horas

El detector se ha construido para la supervisión continua y es muy resistente a diferentes perturbaciones acústicas. Funcionará bien en la mayoría de entornos. Sin embargo, en las habitaciones con altas tasas de alteraciones, como en los talleres industriales o en los gimnasios, se recomienda probar el detector durante 3 y 4 semanas antes de decidir utilizarlo sin interrupciones. En casos poco frecuentes, una combinación de sonidos aleatorios puede activar una alarma.

## Eventos señalizados

El detector tiene dos relés y un microswitch para señalar los eventos detectados y procesados al panel de control en orden de prioridad como las siguientes señales:

- Rotura de cristal: señalizada por el relé de INTRUSIÓN
- Baja tensión de alimentación o fallo de autoprueba: señalizada por el relé FALLO
- Enmascaramiento: señalizado por los relés de INTRUSIÓN y FALLO
- Sabotaje: señalizado de manera independiente por el microswitch TAMPER

Evento	Señal enviada por relé o microswitch		
	Intrusión	Fallo	Tamper
Sin estímulos	Cerrado	Cerrado	Cerrado
Intrusión	ABIERTO	Cerrado	Cerrado
Máscara	ABIERTO	ABIERTO	Cerrado
Baja tensión de alimentación	Cerrado	ABIERTO	Cerrado
Fallo de autoprueba local	Cerrado	ABIERTO	Cerrado
Tamper	Cerrado	Cerrado	ABIERTO

## Herramientas especiales

En la mayoría de habitaciones (por ejemplo, en oficinas) no se requieren herramientas especiales durante la instalación. Pero en aquellas salas con acústica complicada, se recomienda utilizar el comprobador GS960-TR. El GS960-TR también se puede utilizar en pruebas de funcionamiento y mantenimiento anual.

Consulte también "Verificación de los ajustes con el comprobador GS960-TR" en la página 13.

## Apertura del detector

Consulte la Figura 3.

### Para abrir el detector, siga estos pasos:

1. Deslice el cierre de la tapa hacia arriba (figura 3, elemento 1)
2. Afloje el tornillo (elemento 2)
3. Tire de la tapa para abrirla (elemento 3)

## Instrucciones de montaje

- El detector debe instalarse en el techo o en una pared opuesta al cristal que se desee proteger.
- Se necesita una "línea de visión" clara entre el "micrófono" del detector y el cristal.
- La ubicación ideal del detector para el montaje en pared o techo se muestra en la Figura 10.
  - La distancia entre el cristal y el detector debe ser de 1 a 9 m.
  - El detector se debe instalar mínimo a 50 cm de una esquina.
  - El detector se debe instalar mínimo a 1 m del suelo.
  - El detector se debe instalar mínimo a 30 cm del techo (en un montaje en pared).
- El detector se debe instalar en una superficie plana, libre de objetos en un radio de 50 cm hacia el detector.
- No se debe instalar el detector cerca de conductos de ventilación o grandes obstáculos que hagan rebotar el sonido.
- Nunca instale el detector en una esquina.

## Instalación

1. Elija la mejor posición de montaje en la pared o el techo.
2. Afloje el tornillo de la tapa y retire la parte superior.
3. Use la parte inferior como plantilla y marque el lugar de los orificios con un bolígrafo.
4. Utilice un taladro de 2,5 mm para los tornillos autorroscantes provistos. Si fuera necesario, utilice anclajes de pared.
5. Si fuera necesario, recorte el "orificio ciego" marcado en la parte posterior de la base con unas pinzas.
6. Pase el cable eléctrico a través del "orificio ciego" en la placa inferior.
7. Conecte los cables a los terminales de tornillos. Consulte la Tabla más adelante para obtener más información.
8. Utilice la correa para cables suministrada para fijar el cable al detector.
9. Fije firmemente el detector a la base con los tornillos que se incluyen.
10. Establezca el alcance deseado, es decir, los ajustes de sensibilidad del detector usando los switches DIP números 2 y 3. Consulte "Switch DIP" más adelante para obtener más información.
11. Compruebe las características de las ventanas y tenga en cuenta qué tipo de cristal se utiliza, sobre todo en la ventana más cercana a la habitación.

Tabla 1: Patillas de los terminales

Patilla	Marcador	Función
1	(-)	Tierra
2	(+)	Positiva de 6 a 30 V CC
3	D/N	Control día y noche del LED
4	INTRUSION	Salida C de relé de INTRUSIÓN
5	INTRUSION	Salida NC de relé de INTRUSIÓN
6	Spare	Contacto de repuesto (sin conectar)
7	FAULT	Salida C de relé de FALLO
8	FAULT	Salida NC de relé de FALLO
9	Spare	Contacto de repuesto (sin conectar)
10	TAMPER	Salida C del switch de tamper
11	TAMPER	Salida NC del switch de tamper
12	Spare	Contacto de repuesto (sin conectar)

**Nota:** Puede usar el accesorio adicional GS960-RB, la placa de resistencia EOL de conexión, que le permite integrar fácilmente el GS960AM en un sistema Advisor Advanced sin la tener que agregar resistencias EOL.

## Switch DIP

Las funciones del switch DIP se describen en la Tabla 2 más adelante.

Tabla 2: Funciones del switch DIP

DIP	Función	Configuración			
		ON: Enclavado		OFF: Auto reset	
1	Modo de relé INTRUSIÓN				
2	Ajuste de alcance	De 4 a 9 m Zona 1	De 2 a 4 m Zona 2	De 1 a 2 m Zona 3	
		OFF	OFF	ON	ON
3	Ajuste de rango	OFF	ON	OFF	ON

### Modo de relé INTRUSION

- DIP 1 ON: si el modo de relé de INTRUSIÓN está en ON (enclavado), significa que el relé de INTRUSIÓN estará cerrado y se abrirá en alarma.
- DIP 1 OFF: si el modo de relé de INTRUSIÓN en OFF (apagado), significa que el relé de INTRUSIÓN se restablecerá de forma automática en 2 segundos en alarma.

### Alcance

Los ajustes de alcance del switch DIP se muestran en la Figura 6.

Figura 6: Ajustes de alcance de los switch DIP

- (1) De 4 a 9 m, zona 1: OFF, OFF
- (2) De 2 a 4 m, zona 2: OFF, ON, u ON, OFF
- (3) De 1 a 2 m, zona 3: ON, ON

## Ajustes recomendados para el detector en función del diseño de la ventana y el tipo de cristal

Compruebe las características de las ventanas y tenga en cuenta qué tipo de cristal se utiliza, sobre todo en la ventana más cercana a la habitación.

- **Un solo cristal** (plano y templado): establezca el detector a la distancia medida desde el cristal hasta el detector.
- **Doble cristal** (plano y templado): si hay muchas perturbaciones en el entorno, establezca el detector a la distancia medida desde el cristal hasta el detector. En condiciones normales o de baja perturbación: el detector se debe configurar en Zona 1.
- **Doble cristal** donde se cubre la ventana interior **con película de seguridad**: establezca el detector en la Zona 1 al margen de la distancia medida.
- **Triple cristal** (plano y templado): establezca el detector en la Zona 1 al margen de la distancia medida.
- **Cristal laminado**: establezca el detector en Zona 1 al margen de la distancia medida.

Diseño de la ventana	Tipo de cristal de la ventana dentro de la habitación		Alcance		
			1– 2 m	2– 4 m	4– 9 m
Un solo cristal	Plano y templado		Zona 3	Zona 2	Zona 1
Doble cristal	Plano y templado	Grandes perturbaciones	Zona 3	Zona 2	Zona 1
		Pocas perturbaciones	Zona 1		
Triple cristal	Plano y templado		Zona 1		
Doble cristal con película de seguridad	Plano con película de seguridad		Zona 1		
Acristalado sencillo y múltiple	Laminado		Zona 1		

## Cierre del detector

Para cerrar el detector, siga estos pasos:

1. Inserte los ganchos de la tapa en las ranuras de la base (Figura 7, elemento 1).
2. Cierre la tapa (elemento 2).
3. Apriete el tornillo de cierre (elemento 3).
4. Deslice hacia abajo la tapa del cierre (elemento 4).

## Verificación de los ajustes con el comprobador GS960-TR

Si el detector se coloca demasiado lejos o demasiado cerca del cristal, no responderá. En la prueba de DRC, el LED del detector parpadeará 1, 2 o 3 veces para mostrar que se encuentra en una zona determinada. Si no parpadea, se debe seleccionar un lugar mejor.

1. Coloque la cubierta y asegúrese de que se enganche correctamente en la base del detector.
2. Suministre energía. El LED señalará los ajustes de alcance parpadeando entre 1 y 3 veces.
3. Use el GS960-TR para probar y calibrar el detector en la posición óptima.

## Pruebas y calibraciones

El comprobador GS960-TR es una herramienta especialmente desarrollada para calibrar y ajustar el detector GS960AM con el fin de que ofrezca un funcionamiento óptimo en la acústica de la sala. Este procedimiento es lo que se llama Compensación Digital de Habitaciones o DRC. Al probar los ajustes del detector, no necesitará volver a abrirlo, ya que el comprobador se comunicará acústicamente con el detector. Nunca pruebe el GS960AM con la tapa desmontada de la base. Asegúrese de que la tapa esté bien sujeta.

**Precaución:** No utilice el comprobador GS960-TR cerca de sus oídos, ya que este produce ruidos fuertes.

## Procedimiento de compensación digital de habitaciones

Prepare el detector acústico para el procedimiento DRC configurando la línea D/N (si se utilizara) en el modo DÍA; la línea D/N debe dejarse abierta o en baja.

1. Presione el botón START en el comprobador GS960-TR para encenderlo. Se iluminará el LED verde.
  2. Sostenga el comprobador entre 1 y 3 m del detector y apunte el altavoz hacia él.
  3. Pulse el botón START una vez más para iniciar el modo DRC. El LED en el detector comenzará a parpadear. Consulte la Figura 8.
  4. Vaya a la distancia más alejada (máx. 9 m) del cristal que desea proteger y apunte el altavoz hacia el detector. Consulte la Figura 9.
- El alcance de DRC calculado por el detector se mostrará como un número de parpadeos, entre 1 y 3.
5. Presione el botón DRC para enviar una señal de DRC. Repita esta operación entre 2 y 10 veces desde ángulos diferentes del área de protección para que el funcionamiento sea perfecto. El LED parpadeará para confirmar que ha recibido la señal. El LED comenzará a parpadear. El alcance de DRC calculado por el detector se mostrará como un número de parpadeos, entre 1 y 3. En caso de que las señales sean demasiado débiles o demasiado fuertes fuera del alcance de compensación (lo que significa que el detector está ubicado demasiado cerca o demasiado lejos del objeto a proteger), el detector no mostrará su alcance de DRC.
  6. Pulse el botón STOP desde una distancia entre 1 y 3 m del detector para finalizar el procedimiento de DRC.

Si el alcance de DRC medido por el detector difiere de los ajustes reales del switch DIP, el LED seguirá parpadeando entre 1 y 3 veces para señalar el número de alcance correcto que se debe establecer en el detector.

- El LED parpadea 1 vez: establecer en Zona 1 (de 4 a 9 m).
- El LED parpadea 2 veces: establecer en Zona 2 (de 2 a 4 m).
- El LED parpadea 3 veces: establecer en Zona 3 (de 1 a 2 m).

## Protección de varias ventanas con un detector

El detector puede proteger varias ventanas en una habitación si las ventanas están dentro del área de cobertura. Realice una prueba de DRC independiente para cada ventana que desee proteger. Siga el procedimiento descrito con anterioridad en cada ventana. El detector se ajustará al número de zona más bajo con el alcance más largo desde el detector.

## Tiempo de espera

Tanto el detector GS960AM como el comprobador GS960-TR están equipados con una función de tiempo de espera. El GS960AM detendrá el modo DRC y el GS960-TR se apagará si no ha ocurrido ninguna actividad en un plazo entre 3 y 4 minutos.

## Control D/N (Día/Noche)

El D/N hace posible que se controle de forma remota las señales de alarma de los detectores y el restablecimiento durante la transición DÍA->NOCHE. El modo D/N aumenta la seguridad del detector, ya que permite ocultar las indicaciones de alarma en el modo NOCHE sin influir en el funcionamiento del relé.

## Autoprueba

El detector está revisando continuamente todas las partes responsables de la correcta detección de la señal de rotura de cristal mediante un procedimiento interno de autoprueba.

## Antimáscara

Para probar el sistema antimáscara, siga estos pasos:

1. Encienda el dispositivo. Selle el micrófono completamente con material flexible, como plastilina, chicle o cinta aislante.

Los relés de INTRUSIÓN y FALLO se abrirán después de haber señalizado durante 180 segundos máx. la máscara del micrófono.

2. Retire el material de sellado del micrófono. Los relés se cerrarán en menos de un minuto.

## Cómo entender el LED cuando el detector está en funcionamiento

El LED puede tener los siguientes estados de operación:

- Parpadea entre 1 y 3 veces cuando se alimenta: se indican los ajustes de alcance después de haberse alimentado.
- Apagado: estado normal, sin alarmas.
- Permanentemente encendido: se ha detectado una intrusión; si el detector está en modo Enclavado.
- Permanentemente encendido con 1 dip durante 3 s: máscara detectada.
- Permanentemente encendido con 2 dips durante 3 s: baja tensión de alimentación o fallo de autoprueba.

- Parpadeo breve: advertencia antimáscara; objeto extraño cerca del micrófono.

## Cómo entender el LED al probar el detector con el comprobador GS960-TR

El LED puede tener los siguientes estados durante la prueba:

- Destellos: en modo de prueba.
- Parpadea: en modo de calibración.
- Parpadea 1,5 s: confirma la señal recibida
- Parpadea lentamente 1 vez cada 2,5 s después de la calibración: establezca el ajuste de alcance en Zona 1 (de 4 a 9 m).
- Parpadea lentamente 2 veces cada 2,5 s después de la calibración: establezca el ajuste de alcance en Zona 2 (de 2 a 4 m).
- Parpadea lentamente 3 veces cada 2,5 s después de la calibración: establezca el ajuste de alcance en Zona 3 (de 1 a 2 m).

## Solución de problemas

El detector no responde:

- Compruebe la tensión de alimentación y la polaridad.

El LED siempre está encendido:

- Apague el detector durante un breve periodo de tiempo.
- Compruebe si el LED está en modo enclavado (DIP 1 ENCENDIDO)

El LED siempre está encendido con 1 dip durante 3 s:

- Compruebe si el micrófono no está enmascarado con material extraño.

El LED siempre está encendido con 2 dips durante 3 s:

- Compruebe la tensión de alimentación: debe ser superior a 7 V.

Sin alarma:

- Compruebe los cables del relé INTRUSIÓN y FALLO.
- Compruebe los cables del bucle de alarma.

## Especificaciones

Tipo (espesor) del cristal protegido:

Mínimo	Plano (4 mm)
Máximo	Laminado P4 (4 + 4 mm)
Tamaño del cristal protegido	40 × 40 cm mín.
Alcance máx.	Radio de 9 m/165°
Ajuste de alcance	Zona 1: de 1 a 9 m Zona 2: de 2 a 4 m Zona 3: de 1 a 2 m
Tensión de alimentación	De 7 a 30 V CC
Variación de tensión máx.	2 Vp-p a 12 V, 4 Vp-p a 24 V
Supervisión de la tensión	Fallo señalado a <7 V
Consumo máx. de corriente	De 11,4 mA a 12 V; 7,2 mA a 24 V
Niveles de señal D/N	DÍA: D/N abierto o <2,5 V, NOCHE: D/N > 2,5 V

Salida de INTRUSIÓN, salida de FALLO	Relé
Intensidad del contacto de los relés INTRUSIÓN y FALLO	50 mA, 50 V CC / pico CA, R ≤ 30 Ω
Intensidad del contacto de TAMPER	50 mA / 50 V CC / pico CA
Indicación de intrusión/fallo	LED
Clase medioambiental EN 50130-5:2011, VdS 2110	Clase I
Intervalo de temp. en funcionamiento	De +5 a 40 °C
Intervalo de humedad en funcionamiento	Máx. 93 % de HR
Material de la carcasa	Plástico ABS, blanco
Dimensiones (An x Al x Pro)	68 × 109 × 40 mm
Grado de seguridad	EN 50131-2-7-1:2012/A1:2013, grado 3; VdS 2332, clase B
Aprobaciones	VdS: G118505
Accesorio	Placa de resistencia EOL de conexión GS960-RB

## Información normativa

Fabricante	COLOCADO EN EL MERCADO POR: Carrier Fire & Security Americas Corporation Inc. 13995 Pasteur Blvd Palm Beach Gardens, FL 33418, EE. UU.  REPRESENTANTE AUTORIZADO DE LA UE: Carrier Fire & Security B.V. Kelvinstraat 7, 6003 DH Weert, Países Bajos
------------	--

Advertencias del producto y descargos de responsabilidad	ESTOS PRODUCTOS ESTÁN DESTINADOS A LA VENTA A, E INSTALACIÓN POR, UN PROFESIONAL DE SEGURIDAD EXPERIMENTADO. CARRIER FIRE & SECURITY NO PUEDE GARANTIZAR QUE TODA PERSONA O ENTIDAD QUE COMPRE SUS PRODUCTOS, INCLUYENDO CUALQUIER "DISTRIBUIDOR O VENDEDOR AUTORIZADO", CUENTE CON LA FORMACIÓN O EXPERIENCIA PERTINENTE PARA INSTALAR CORRECTAMENTE PRODUCTOS RELACIONADOS CON LOS INCENDIOS Y LA SEGURIDAD.
--	--



Para obtener más información sobre exclusiones de garantía e información de seguridad de productos, consulte <https://firesecurityproducts.com/policy/product-warning/> o escanee el código QR.

Certificación	
---------------	--

Directivas de la Unión Europea	Carrier Fire & Security declara por este medio que este dispositivo cumple los requisitos y disposiciones aplicables de la Directiva 2014/30/EU. Para mas información consulte <a href="http://www.firesecurityproducts.com">www.firesecurityproducts.com</a> ó <a href="http://www.aritech.com">www.aritech.com</a> .
--------------------------------	--

REACH	Los productos REACH pueden contener sustancias que están incluidas en la Lista de sustancias Candidatas en una concentración en peso superior al 0,1%, según la más reciente Lista de sustancias Candidatas publicada en la Web de ECHA.  Puede encontrar información sobre su uso seguro en <a href="https://firesecurityproducts.com/en/content/intrusion-intro">https://firesecurityproducts.com/en/content/intrusion-intro</a>
-------	--



2012/19/EU (directiva WEEE): los productos marcados con este símbolo no se pueden desechar como residuos urbanos no clasificados en la Unión Europea. Para que se pueda realizar un reciclaje adecuado, devuelva este producto a su representante de ventas local al comprar un equipo nuevo similar o deséchelo en los puntos de recogida designados. Para obtener más información, consulte: [recyclethis.info](http://recyclethis.info)

## Información de contacto

[www.firesecurityproducts.com](http://www.firesecurityproducts.com) o [www.aritech.com](http://www.aritech.com)

Para acceder al servicio técnico, consulte [www.firesecurityproducts.com](http://www.firesecurityproducts.com)

## FR: Fiche d'installation

### Description

Le GS960AM est un détecteur acoustique de bris de verre qui déclenche une alarme lorsque du verre est brisé lors d'une tentative d'intrusion (fenêtres, portes et baies vitrées).

Il s'appuie sur une technologie à microcontrôleur conçue pour prendre en compte un grand nombre de facteurs acoustiques pertinents, via la compensation numérique (DRC). Cela permet au détecteur de faire la distinction entre un bris de verre véritable et d'autres sons non pertinents.

Le détecteur est conçu pour une utilisation en intérieur. Sa portée est comprise entre 1 et 9 m (voir Figure 2). Il fonctionne sur un angle de 165°, ce qui lui permet de surveiller plusieurs fenêtres dans une même pièce. Le détecteur peut être monté au plafond ou sur un mur avec visibilité directe sur les fenêtres concernées.

Le GS960AM est équipé d'une fonction d'anti-masquage et d'un relais séparé, qui déclenche une alarme en cas de sabotage du microphone.

*Le GS960AM est certifié conforme à la norme de sécurité EN 50131-2-7-1:2012 de niveau 3.*

#### Figure 1 : Schéma du détecteur

- |                   |                           |
|-------------------|---------------------------|
| (1) Clip du capot | (4) capot                 |
| (2) Base          | (5) Microphone            |
| (3) LED           | (6) Détecteur de masquage |

#### Figure 4 : Base du détecteur

- |                                |                          |
|--------------------------------|--------------------------|
| (1) Emplacement de pré-perçage | (5) Orifice de montage 2 |
| (2) Bornier                    | (6) Orifice de montage 3 |
| (3) Orifice de montage 1       | (7) Fentes pour crochets |
| (4) Vis du cache               |                          |

Figure 5 : Cache

- |                                  |  |
|----------------------------------|--|
| (1) Clip du cache                | (4) Interface PC                             |
| (2) Broches du bornier           | (5) Commutateur DIP                          |
| (3) Commutateur d'autoprotection | (6) Crochets maintenant le capot sur la base |

## Connexion à une boucle de 24 heures

Le détecteur est conçu pour une surveillance continue et une résistance extrême aux diverses perturbations acoustiques. Il est adapté à la plupart des environnements. Toutefois, dans les lieux où le taux de perturbations est très élevé (ateliers industriels ou salles de sport, par exemple), il est recommandé de tester le détecteur pendant 3 à 4 semaines avant de savoir s'il est apte à être utilisé en continu. Dans de rares cas, une combinaison de sons aléatoires peut déclencher une alarme.

## Événements signalés

Le détecteur est doté de deux relais et d'un contact permettant de signaler les événements détectés et traités à la centrale dans l'ordre de priorité suivant :

- Bris de vitre – signalé par le relais INTRUSION
- Faible tension d'alimentation ou échec de l'autotest – signalé par le relais FAULT
- Masquage – signalé par les relais INTRUSION et FAULT
- Sabotage – signalé indépendamment par le contact TAMPER

Événement	Signal envoyé par relais ou le contact		
	Intrusion	Fault	Tamper
Aucun stimulus	Fermé	Fermé	Fermé
Intrusion	OUVERT	Fermé	Fermé
Masquage	OUVERT	OUVERT	Fermé
Faible tension d'alimentation	Fermé	OUVERT	Fermé
Échec de l'autotest local	Fermé	OUVERT	Fermé
Autoprotection	Fermé	Fermé	OUVERT

## Outils spéciaux

Dans la plupart des pièces (par exemple, les bureaux), aucun outil spécial n'est requis lors de l'installation. Dans les salles à l'acoustique complexe, il est recommandé d'utiliser le testeur GS960-TR. Ce dernier peut en outre être utilisé pour le test de fonctionnement et l'entretien annuel.

Reportez-vous également à la section « Vérification des paramètres avec le testeur GS960-TR » en page 17.

## Ouverture du détecteur

Reportez-vous à la figure 3.

Pour ouvrir le détecteur, procédez comme suit :

1. Faites glisser le capot vers le haut (Figure 3, élément 1).
2. Desserrez la vis (élément 2).
3. Tirez le couvercle pour l'ouvrir (élément 3).

## Instructions de montage

- Le détecteur doit être installé au plafond ou sur un mur opposé à la vitre concernée.
- Une « ligne de mire » dégagée entre le « microphone » du détecteur et la vitre est requise.
- L'emplacement du détecteur pour un montage mural ou au plafond est indiqué dans la Figure 10.
  - La distance entre la vitre et le détecteur doit être comprise entre 1 et 9 m.
  - Le détecteur doit être installé à au moins 50 cm d'un angle.
  - Le détecteur doit être installé à au moins 1 m du sol.
  - Le détecteur doit être installé à au moins 30 cm du plafond (si montage mural).
- Le détecteur doit être installé sur une surface plane, exempte d'objets dans un rayon de 50 cm.
- Le détecteur ne doit pas être installé à proximité de bouches d'aération ou de gros obstacles réfléchissant le son.
- Ne montez jamais le détecteur dans un coin.

## Installation

1. Choisissez l'emplacement de montage le plus approprié (mur ou plafond).
2. Desserrez la vis du capot et retirez la partie supérieure.
3. Utilisez la partie inférieure comme modèle et marquez l'emplacement des trous avec un stylo.
4. Utilisez un foret de 2,5 mm pour les vis autotaraudeuses fournies. Si nécessaire, employez des chevilles.
5. Le cas échéant, découpez l'emplacement de pré-perçage à l'arrière de la base avec des pinces.
6. Acheminez-y le câblage.
7. Connectez les fils aux borniers. Consultez le Tableau ci-dessous pour obtenir des informations supplémentaires.
8. Utilisez le serre-câble fourni pour fixer le câble au détecteur.
9. Fixez le détecteur à la base à l'aide des vis fournies.
10. Définissez la plage souhaitée (sensibilité du détecteur) à l'aide des commutateurs DIP n°2 et 3. Pour de plus amples détails, reportez-vous à la section « Commutateurs DIP » en page 17.
11. Vérifiez la structure des fenêtres et notez quel type de verre est utilisé, en particulier au niveau du panneau le plus proche de la pièce.

Tableau 1 : Broches du bornier

Broche	Marquage	Fonction
1	(-)	Masse
2	(+)	7 à 30 V CC
3	D/N	Contrôle LED Jour/Nuit
4	INTRUSION	Sortie C du relais INTRUSION
5	INTRUSION	Sortie NC du relais INTRUSION



Broche	Marquage	Fonction
6	Spare	Contact additionnel (non connecté)
7	FAULT	Sortie C du relais FAULT
8	FAULT	Sortie NC du relais FAULT
9	Spare	Contact additionnel (non connecté)
10	TAMPER	Sortie C du commutateur d'autoprotection
11	TAMPER	Sortie NC du commutateur d'autoprotection
12	Spare	Contact additionnel (non connecté)

**Remarque :** vous pouvez utiliser la carte de résistance de fin de ligne GS960-RB, qui permet d'intégrer facilement le détecteur GS960AM dans un système Advisor Advanced existant sans avoir à ajouter de résistances de fin de ligne.

## Commutateurs DIP

Les fonctions du commutateur DIP sont décrites dans le Tableau 2 ci-dessous.

Tableau 2 : Fonctions du commutateur DIP

DIP	Fonction	Paramètre			
1	Mode relais INTRUSION	ON : verrouillage		OFF : auto	
2	Paramètre de plage	4 à 9 m Zone 1	2 à 4 m Zone 2	1 à 2 m Zone 3	
		OFF	OFF	ON	ON
3	Paramètre de plage	OFF	ON	OFF	ON

### Mode relais INTRUSION

- **DIP 1 ON :** si le mode relais INTRUSION est activé, il sera verrouillé et ouvert en cas d'alarme.
- **DIP 1 OFF :** si le mode relais INTRUSION est désactivé, il se réinitialise automatiquement après 2 secondes en cas d'alarme.

### Plage

Les paramètres de plage du commutateur DIP sont illustrés dans la Figure 6.

Figure 6 : Paramètres de plage du commutateur DIP

- (1) 4 à 9 m, Zone 1 : OFF, OFF
- (2) 2 à 4 m, Zone 2 : OFF, ON ou ON, OFF
- (3) 1 à 2 m, Zone 3 : ON, ON

## Paramètres recommandés du détecteur en fonction de la conception de la fenêtre et du type de verre

Vérifiez la structure des fenêtres et notez quel type de verre est utilisé, en particulier au niveau du panneau le plus proche de la pièce.

- **Simple vitrage** (flotté et trempé) : réglez le détecteur sur la distance mesurée entre la vitre et ce dernier.
- **Double vitrage** (flotté et trempé). S'il s'agit d'un environnement à fortes perturbations, réglez le détecteur sur la distance mesurée entre la vitre et ce dernier. S'il s'agit d'un environnement à faibles perturbations, le détecteur doit être placé dans la Zone 1.
- **Double vitrage** avec vitre intérieure couverte d'un **film de sécurité** : placez le détecteur dans la Zone 1 en dehors de la distance mesurée.

- **Triple vitrage** (flotté et trempé) : placez le détecteur dans la Zone 1 en dehors de la distance mesurée.
- **Verre feuilleté** : placez le détecteur dans la Zone 1 en dehors de la distance mesurée.

Conception de la fenêtre	Type de vitre à l'intérieur de la pièce		Plage		
			1-2 m	2-4 m	4-9 m
Simple vitrage	Flotté et trempé		Zone 3	Zone 2	Zone 1
Double vitrage	Flotté et trempé	Fortes perturbations	Zone 3	Zone 2	Zone 1
		Faibles perturbations	Zone 1		
Triple vitrage	Flotté et trempé		Zone 1		
Double vitrage avec film de sécurité	Verre flotté avec film de sécurité		Zone 1		
Simple et multi-vitrage	Feuilleté		Zone 1		

## Fermeture du détecteur

Pour fermer le détecteur, procédez comme suit :

1. Insérez les crochets du capot dans les fentes de la base (Figure 7, élément 1).
2. Fermez le capot (élément 2).
3. Serrez la vis de blocage (élément 3).
4. Faites glisser le capot vers le bas (élément 4).

## Vérification des paramètres avec le testeur GS960-TR

Si le détecteur est placé trop loin ou trop près de la vitre, il ne fonctionnera pas. Lors du test DRC, la LED du détecteur clignote 1, 2 ou 3 fois pour indiquer qu'il se trouve dans une certaine zone. Si elle ne clignote pas, un meilleur emplacement doit être adopté.

1. Remplacez le capot et assurez-vous qu'il s'accroche correctement à la base du détecteur.
2. Branchez l'alimentation. La LED indiquera votre paramètre de plage en clignotant 1 à 3 fois.
3. Utilisez le GS960-TR afin de tester et calibrer le détecteur pour une position optimale.

## Test et calibration

Le testeur GS960-TR est un outil spécialement développé pour calibrer et ajuster le détecteur GS960AM afin d'obtenir des performances optimales dans une pièce acoustique, via la compensation numérique (DRC). Lors du test des paramètres du détecteur, vous n'avez pas besoin de l'ouvrir à nouveau car le testeur communique de manière acoustique avec celui-ci. Ne testez jamais le GS960AM avec un cache démonté. Assurez-vous que le cache est correctement fixé.

**Attention :** n'utilisez pas le testeur GS960-TR à proximité de vos oreilles car ce dernier émet des bruits forts.

## Procédure de compensation numérique

Préparez le détecteur acoustique en réglant la ligne J/N (si utilisée) en mode JOUR (elle doit être laissée ouverte ou définie sur une valeur basse).

1. Appuyez sur le bouton START du testeur GS960-TR pour le mettre sous tension. La LED verte s'allume.
2. Tenez le testeur à 1 à 3 m du détecteur et dirigez le haut-parleur vers celui-ci.
3. Appuyez à nouveau sur le bouton START pour lancer le mode DRC. La LED du détecteur commence à clignoter. Reportez-vous à la Figure 8.
4. Rendez-vous à la distance la plus éloignée (9 m maximum) de la vitre et dirigez le haut-parleur vers le détecteur. Reportez-vous à la figure 9.

La plage DRC calculée par le détecteur s'affiche sous forme de nombre d'impulsions, compris entre 1 et 3.

5. Appuyez sur le bouton DRC pour transmettre un signal DRC. Faites ceci 2 à 10 fois sous différents angles de la zone. La LED s'allume une fois pour confirmer qu'elle a reçu le signal, puis continue de clignoter. La plage DRC calculée par le détecteur s'affiche sous forme de nombre d'impulsions, compris entre 1 et 3. En cas de signaux trop faibles ou trop forts en dehors de la plage de compensation (si le détecteur est placé trop près ou trop loin de la vitre), aucune plage DRC ne s'affiche.
6. Appuyez sur le bouton STOP à une distance de 1 à 3 m du détecteur pour mettre fin à la procédure de compensation.

Si la plage DRC mesurée par le détecteur diffère des paramètres réels des commutateurs DIP, la LED continue de clignoter 1 à 3 fois pour indiquer le numéro de plage correct à définir au niveau du détecteur.

- La LED clignote 1 fois : réglée sur la Zone 1 (4 à 9 m)
- La LED clignote 2 fois : réglée sur la Zone 2 (2 à 4 m)
- La LED clignote 3 fois : réglée sur la Zone 3 (1 à 2 m)

## Protection de plusieurs fenêtres avec un même détecteur

Le détecteur peut protéger plusieurs fenêtres dans une même pièce si celles-ci se trouvent dans la zone de portée. Réalisez un test DRC indépendant pour chaque fenêtre concernée. Suivez la procédure décrite ci-dessus pour chacune d'elles. Le détecteur doit être réglé sur le numéro de zone le plus bas (la distance la plus grande par rapport au détecteur).

## Expiration

Le détecteur GS960AM et le testeur GS960-TR sont équipés d'une fonction de temporisation. Le GS960AM met fin au mode DRC et le GS960-TR s'éteindra si aucune activité ne s'est produite au cours des 3 ou 4 dernières minutes.

## Commande J/N (Jour/Nuit)

Cette commande permet de contrôler à distance les indications d'alarme des détecteurs et de les réinitialiser lors de la transition du mode JOUR vers le mode NUIT. Elle renforce la sécurité du détecteur en masquant les indications en mode NUIT sans que cela ait une influence sur la fonction de relais.

## Autotest

Le détecteur vérifie en permanence toutes les pièces vitales à la détection correcte de bris de vitre grâce à une procédure d'autotest interne.

## Anti-masquage

Pour tester le système d'anti-masquage, procédez comme suit :

1. Mettez l'appareil sous tension. Scellez complètement le microphone avec un matériau élastique comme de la pâte à modeler, du chewing-gum ou du ruban isolant.

Les relais INTRUSION et FAULT s'ouvriront après un maximum de 180 secondes de signal de masquage.

2. Retirez le matériau utilisé pour sceller le microphone. Les relais se ferment alors en moins d'une minute.

## Clignotement de la LED lorsque le détecteur est en fonctionnement

Les états de LED suivants sont possibles :

- Clignote 1 à 3 fois lorsque l'alimentation est allumée : indication du paramètre de plage après la mise sous tension
- Eteint : état normal, pas d'alarme
- Allumée en continu : intrusion détectée (si le détecteur est en mode de verrouillage)
- Allumé en continu avec 1 extinction toutes les 3 secondes : masquage détecté
- Allumé en continu avec 2 extinctions toutes les 3 secondes : alimentation basse tension ou échec de l'autotest
- Clignotement court : avertissement de masquage (objet étranger à proximité du microphone)

## Clignotement de la LED lors du test du détecteur avec le GS960-TR

Les états de LED suivants sont possibles :

- Scintillement : en mode de test
- Scintillement et clignotement : en mode de calibration
- Clignotement par intervalles de 1,5 s : confirmation de réception du signal
- Clignotement lent 1 fois toutes les 2,5 s après l'étalonnage : la plage doit être définie sur la Zone 1 (4 à 9 m)
- Clignotement lent 2 fois toutes les 2,5 s après l'étalonnage : la plage doit être définie sur la Zone 2 (2 à 4 m)
- Clignotement lent 3 fois toutes les 2,5 s après l'étalonnage : la plage doit être définie sur la Zone 3 (1 à 2 m)

## Dépannage

Si le détecteur ne répond pas :

- Vérifiez la tension d'alimentation et la polarité.

Si la LED est allumée en permanence :

- Éteignez le détecteur pendant une courte période.
- Vérifiez si la LED est en mode de verrouillage (DIP 1 ACTIVÉ).

Si la LED est allumée en permanence avec 1 extinction toutes les 3 s :

- Vérifiez que le microphone n'est pas obstrué par un corps étranger.

Si la LED est allumée en permanence avec 2 extinctions toutes les 3 s :

- Vérifiez la tension d'alimentation (elle doit être supérieure à 7 V).

Si aucune alarme ne survient :

- Vérifiez le câblage des relais INTRUSION et FAULT.
- Vérifiez le câblage de la boucle d'alarme.

## Caractéristiques techniques

Type (épaisseur) du verre protégé :

Minimum	Flotté (4 mm)
Maximum	P4 feuilleté (4 + 4 mm)
Surface du verre protégé	40 x 40 cm min.
Plage max.	Rayon 9 m/165°
Paramètre de plage	Zone 1 : 4 à 9 m Zone 2 : 2 à 4 m Zone 3 : 1 à 2 m
Tension d'alimentation	7 à 30 V CC
Ondulation de tension max.	2 Vp-p à 12 V, 4 Vp-p à 24 V
Surveillance de tension	Anomalie signalée à < 7 V
Consommation max.	11,4 mA à 12 V, 7,2 mA à 24 V
Niveaux de signal J/N	JOUR : J/N ouvert ou < 2,5 V, NUIT : J/N > 2,5 V
Sortie INTRUSION, sortie FAULT	Relais
Tension nominale des relais INTRUSION et FAULT	50 mA, 50 V CC/max. CA, Rs ≤ 30 Ω
Tension nominale du relais TAMPER	50 mA/50 V CC/max. CA
Indication d'intrusion/d'anomalie	LED
Classe environnementale EN 50130-5:2011, VdS 2110	Class I
Température de fonctionnement	5 à 40°C
Taux d'humidité de fonctionnement	HR de 93 % max.
Matériau du boîtier	Plastique ABS, blanc
Dimensions (L x H x P)	68 x 109 x 40 mm
Niveau de sécurité	EN 50131-2-7-1:2012/A1:2013, niveau 3 ; VdS 2332, classe B
Homologation	VdS : G118505
Accessoire	Carte de résistance de fin de ligne GS960-RB

## Information réglementaire

Fabriquant	MISE SUR LE MARCHÉ PAR : Carrier Fire & Security Americas Corporation Inc. 13995 Pasteur Blvd Palm Beach Gardens, FL 33418, USA  REPRÉSENTANT DE L'UNION EUROPÉENNE AUTORISÉ : Carrier Fire & Security B.V. Kelvinstraat 7, 6003 DH Weert, Pays-Bas
------------	---

Avertissements et avis de non-responsabilité



DES PRODUITS SONT DESTINÉS À DES PROFESSIONNELS EXPÉRIMENTÉS, QUI DOIVENT ÉGALEMENT SE CHARGER DE LEUR INSTALLATION. CARRIER FIRE & SECURITY NE PEUT GARANTIR QU'UNE PERSONNE OU ENTITÉ FAISANT L'ACQUISITION DE CEUX-CI, Y COMPRIS UN REVENDEUR AGRÉÉ, DISPOSE DE LA FORMATION OU DE L'EXPÉRIENCE REQUISE POUR PROCÉDER À CETTE MÊME INSTALLATION DE FAÇON APPROPRIÉE.

Pour obtenir des informations supplémentaires sur les garanties et la sécurité, rendez-vous à l'adresse

<https://firesecurityproducts.com/policy/product-warning/> ou scannez le code QR.

Certification



Directives européennes

Carrier Fire & Security déclare par la présente que cet appareil est conforme aux exigences et dispositions applicables de la directive 2014/30/EU. Pour plus d'informations, voir [www.firesecurityproducts.com](http://www.firesecurityproducts.com) ou [www.aritech.com](http://www.aritech.com).

REACH

Ce produit peut contenir des substances figurant également sur la Liste de substances candidates à une concentration supérieure à 0,1 % p/p, selon la Liste de substances candidates la plus récente publiée sur le site web de l'Agence européenne des produits chimiques (ECHA).

Vous trouverez des renseignements sur l'utilisation sécuritaire du produit à l'adresse <https://firesecurityproducts.com/en/content/intrusion-intro>



2012/19/EU (WEEE) : Les produits marqués de ce symbole peuvent pas être éliminés comme déchets municipaux non triés dans l'Union européenne. Pour le recyclage, retourner ce produit à votre fournisseur au moment de l'achat d'un nouvel équipement équivalent, ou à des points de collecte désignés. Pour plus d'informations, voir: [recyclethis.info](http://recyclethis.info)

## Pour nous contacter

[www.firesecurityproducts.com](http://www.firesecurityproducts.com) ou [www.aritech.com](http://www.aritech.com)

Pour contacter l'assistance clientèle, voir [www.firesecurityproducts.com](http://www.firesecurityproducts.com)

## Descrizione

Il modello GS960AM è un rilevatore acustico di rottura vetro che emette un allarme quando il vetro viene distrutto da tentativi di intrusione attraverso finestre, porte e pareti vetrate.

Il rilevatore è basato su una tecnologia avanzata di microcontrollori e programmato per tenere conto di molti fattori acustici rilevanti: la cosiddetta Digital Room Compensation (DRC). Ciò rende il rilevatore in grado di distinguere tra una vera rottura del vetro e altri suoni irrilevanti.

Il rilevatore è destinato all'uso interno. La distanza di copertura è compresa tra 1 e 9 m (vedi Figura 2). L'angolo di copertura è di 165°, il che significa che un rilevatore può proteggere più finestre nella stessa stanza. Il rilevatore può essere montato a soffitto o su una parete con una visione libera verso la finestra da proteggere.

GS960AM è dotato di una funzione AM, un relè separato, che emette un allarme al momento del sabotaggio del microfono.

GS960AM è certificato secondo EN 50131-2-7-1: 2012, grado di sicurezza 3.

### Figura 1: Configurazione del rilevatore

- |                             |  |
|-----------------------------|--|
| (1) Lucchetto del coperchio | (4) Coperchio                                    |
| (2) Base                    | (5) Microfono                                    |
| (3) LED                     | (6) Dispositivo di rilevamento del mascheramento |

### Figura 4: Base del rilevatore

- |                                       |  |
|---------------------------------------|--|
| (1) Protezione per cavo "di ingresso" | (5) Foro di montaggio 2                          |
| (2) Morsettiera                       | (6) Foro di montaggio 3                          |
| (3) Foro di montaggio 1               | (7) Slot per il montaggio dei ganci di copertura |
| (4) Vite del coperchio                |  |

### Figura 5: Copertura

- |                                   |  |
|-----------------------------------|--|
| (1) Lucchetto del coperchio       | (4) Interfaccia PC                           |
| (2) Pin della morsettiera         | (5) Commutatore DIP-switch                   |
| (3) Interruttore antimanomissione | (6) Ganci che fissano il coperchio alla base |

## Connessione a un ciclo di 24 ore

Il rilevatore è costruito per una supervisione continua ed è estremamente resistente a diversi disturbi acustici. Funzionerà bene nella maggior parte degli ambienti. Tuttavia, in stanze con altissimi tassi di disturbo come nelle officine industriali e nelle palestre, si raccomanda di testare il rilevatore per 3-4 settimane prima di decidere di usarlo continuamente. In rari casi una combinazione di suoni casuali può attivare un allarme.

## Eventi segnalati

Il rilevatore è dotato di due relè e di un microinterruttore per segnalare gli eventi rilevati ed elaborati al pannello di controllo in ordine prioritario come i seguenti segnali:

- Rottura vetri — segnalata dal relè INTRUSION
- Bassa tensione di alimentazione o autotest fallito — segnalato dal relè FAULT
- Mascheramento — segnalato da relè INTRUSION e FAULT

- Sabotaggio — segnalato indipendentemente dal microinterruttore TAMPER.

Evento	Segnale inviato dal relè o dal microinterruttore		
	Intrusione	Guasto	Manomissione
Nessuno stimolo	Chiuso	Chiuso	Chiuso
Controllo delle intrusioni	APERTO	Chiuso	Chiuso
Mascheramento	APERTO	APERTO	Chiuso
Tensione di alimentazione bassa	Chiuso	APERTO	Chiuso
Autotest locale non riuscito	Chiuso	APERTO	Chiuso
Protezione antimanomissione	Chiuso	Chiuso	APERTO

## Utensili speciali

Nella maggior parte delle stanze (ad esempio negli uffici) non sono necessari strumenti speciali durante l'installazione. Nelle sale con un'acustica complicata si consiglia di utilizzare il tester GS960-TR. Il modello GS960-TR può essere utilizzato anche per il test funzionale e la manutenzione annuale.

Vedere anche "Controllare le impostazioni con il tester GS960-TR" a pagina 22.

## Apertura del rilevatore

Vedere la figura 3.

### Per aprire il rilevatore, attenersi alla seguente procedura:

1. Far scorrere verso l'alto il coperchio del lucchetto (Figura 3, elemento 1)
2. Allentare la vite (elemento 2)
3. Tirare il coperchio per aprire (elemento 3)

## Istruzioni di montaggio

- Il rilevatore deve essere installato su un soffitto o su una parete opposta al vetro da proteggere.
- Occorre sgomberare la "linea visiva" tra il "microfono" del rilevatore e il vetro.
- La posizione del rilevatore per il montaggio a parete o a soffitto è mostrata nella Figura 10.
  - La distanza tra il vetro e il rilevatore deve essere compresa tra 1 e 9 m.
  - Il rilevatore deve essere installato ad almeno 50 cm di distanza da un angolo.
  - Il rilevatore deve essere installato ad almeno 1 m di altezza rispetto al pavimento.
  - Il rilevatore deve essere installato ad almeno 30 cm dal soffitto (montaggio a parete).
- Il rilevatore deve essere installato su una superficie piana, priva di oggetti in un raggio di 50 cm dal rilevatore.
- Il rilevatore non deve essere installato vicino a prese d'aria o grandi ostacoli che riflettono il suono.
- Non montare mai il rilevatore negli angoli.

## Installazione

1. Scegliere la migliore posizione di montaggio sulla parete o sul soffitto.
2. Allentare la vite del coperchio e rimuovere la parte superiore
3. Usare la parte inferiore come modello e segnare la posizione dei fori con una penna
4. Utilizzare una punta da 2,5 mm per le viti autofilettanti fornite. Se necessario, utilizzare ancoraggi a muro
5. Se necessario, ritagliare il "foro di ingresso" sul retro della base con un paio di pinze
6. Tirare il cavo attraverso il "foro passante" nella piastra inferiore
7. Collegare i fili ai terminali a vite. Per ulteriori informazioni, vedere Tabella più sotto.
8. Utilizzare la fascetta per cavi fornita per fissare il cavo di cablaggio al rilevatore.
9. Fissare saldamente il rilevatore alla base con le viti in dotazione.
10. Impostare il range desiderato, ovvero l'impostazione della sensibilità del rilevatore usando i commutatori DIP-switch n. 2 e 3. Per ulteriori dettagli, vedere "Commutatore DIP-switch" più sotto.
11. Controllare le finestre e osservare quale tipo di vetro viene utilizzato e soprattutto nella sezione del vetro più vicina alla stanza.

Tabella 1: Pin della morsettiere

PIN	Marcatura	Funzione
1	(-)	Terra
2	(+)	Da 7 a 30 V CC
3	D/N	Controllo diurno e notturno del LED
4	INTRUSIONE	Uscita relè INTRUSIONE C
5	INTRUSIONE	Uscita relè INTRUSIONE NC
6	Pezzo di ricambio	Contatto di riserva (non connesso)
7	GUASTO	Uscita relè guasto C
8	GUASTO	Uscita relè guasto NC
9	Pezzo di ricambio	Contatto di riserva (non connesso)
10	MANOMISSIONE	Uscita commutatore antimanomissione C
11	MANOMISSIONE	Uscita commutatore antimanomissione NC
12	Pezzo di ricambio	Contatto di riserva (non connesso)

**Nota:** è possibile utilizzare la scheda di resistenza EOL plug-in GS960-RB come accessorio aggiuntivo, che consente di integrare facilmente il GS960AM in un sistema Advanced Advisor esistente senza il problema di aggiungere resistori EOL.

## Commutatore DIP-switch

Le funzioni dei commutatori DIP switch sono descritte in Tabella 2 più sotto.

Tabella 2: Funzioni del commutatore DIP-switch

DIP	Funzione	Impostazione		
		Da 4 a 9 m Zona 1	Da 2 a 4 m Zona 2	Da 1 a 2 m Zona 3
1	Modalità relè INTRUSIONE	ON: Bistabile		OFF: Auto
2	Impostazione della gamma	OFF	OFF	ON
3	Impostazione della gamma	OFF	ON	OFF

### Modalità relè INTRUSIONE

- DIP 1 ON: La modalità relè INTRUSIONE ON indica che il relè INTRUSIONE si attacherà e si aprirà in allarme.
- DIP 1 OFF: La modalità relè INTRUSIONE OFF indica che il relè INTRUSIONE sarà ripristinato automaticamente dopo 2 secondi in allarme.

### Intervallo

Le impostazioni dell'intervallo del commutatore DIP-switch sono mostrate nella Figura 6.

Figura 6: Impostazione intervallo commutatore DIP-switch

- (1) Da 4 a 9 m, Zona 1: OFF, OFF
- (2) Da 2 a 4 m, zona 2: OFF, ON, o ON, OFF
- (3) Da 1 a 2 m, zona 3: ON, ON

## Impostazioni suggerite del rilevatore in base al design della finestra e al tipo di vetro

Controllare le finestre e osservare quale tipo di vetro viene utilizzato e soprattutto nella sezione del vetro più vicina alla stanza.

- **Monovetro** (galleggiante e temperato) — Impostare il rilevatore alla distanza misurata dal vetro al rilevatore.
- **Doppio vetro** (galleggiante e temperato). In caso di disturbi elevati nell'ambiente circostante, impostare il rilevatore alla distanza misurata dal vetro al rilevatore. In caso di disturbi normali o bassi: il rilevatore deve essere impostato sulla Zona 1.
- **Doppio vetro** dove è coperto il pannello interno **con pellicola di sicurezza** — Impostare il rilevatore nella Zona 1 a prescindere dalla distanza misurata.
- **Triplo vetro** (galleggiante e temperato) — Impostare il rilevatore nella Zona 1 a prescindere dalla distanza misurata.
- **Vetro stratificato** — Impostare il rilevatore nella Zona 1 a prescindere dalla distanza misurata.

Design della finestra	Tipo di vetro all'interno della stanza	Intervallo			
		1-2 m	2-4 m	4-9 m	
Monovetro	Galleggiante e temperato	Zona 3	Zona 2	Zona 1	
Doppio vetro	Galleggiante e temperato	Elevati disturbi	Zona 3	Zona 2	Zona 1
		Bassi disturbi	Zona 1		
Triplo vetro	Galleggiante e temperato	Zona 1			

Design della finestra	Tipo di vetro all'interno della stanza	Intervallo		
		1-2 m	2-4 m	4-9 m
Doppio vetro con pellicola di sicurezza	Galleggiante con pellicola di sicurezza	Zona 1		
Mono e multivetro	Laminato	Zona 1		

## Chiusura del rilevatore

Per chiudere il rilevatore, attenersi alla seguente procedura:

1. Inserire i ganci del coperchio nelle fessure nella base (Figura 7, elemento 1)
2. Chiudere il coperchio (elemento 2)
3. Stringere la vite di bloccaggio (elemento 3)
4. Far scorrere verso il basso il coperchio del lucchetto (elemento 4)

## Controllare le impostazioni con il tester GS960-TR

Se il rilevatore è posizionato troppo lontano o troppo vicino al vetro, non risponderà. Al test DRC il LED del rilevatore lampeggerà 1, 2 o 3 volte per mostrare che si trova in una certa zona. Se non lampeggia, deve essere selezionato un posto migliore.

1. Collocare il coperchio e assicurarsi che si agganci correttamente alla base del rilevatore.
2. Applicare l'alimentazione. Il LED indicherà ora l'impostazione della portata lampeggiando da 1 a 3 volte.
3. Utilizzare il GS960-TR per testare e calibrare il rilevatore per la posizione ottimale.

## Test e calibrazione

Il tester GS960-TR è uno strumento appositamente sviluppato per calibrare e regolare il rilevatore GS960AM per un funzionamento ottimale nella stanza acustica: la procedura DRC (Digital Room Compensation, compensazione della sala digitale). Quando si testano le impostazioni del rilevatore non è necessario aprirlo nuovamente poiché il tester comunica acusticamente con il rilevatore. Non testare mai il GS960AM con un coperchio smontato da una base. Assicurarsi che il coperchio sia fissato correttamente.

**Attenzione:** non utilizzare il tester GS960-TR in prossimità delle orecchie poiché il tester emette rumori forti.

## Procedura di compensazione della stanza digitale (DRC)

Preparare il rilevatore acustico per la procedura DRC impostando la linea D/N (se utilizzata) in modalità GIORNO, la linea D/N deve essere lasciata aperta o Bassa.

1. Premere il pulsante START del tester GS960-TR per accendere l'alimentazione. Il LED verde si accenderà.

2. Tenere il tester da 1 a 3 m dal rilevatore e puntare l'altoparlante verso di esso.
3. Premere nuovamente il pulsante START per avviare la modalità DRC. Il LED sul rilevatore inizierà a lampeggiare. Vedere la figura 8.
4. Andare alla massima distanza (massimo 9 m) del vetro da proteggere e puntare l'altoparlante verso il rilevatore. Vedere la figura 9.

L'intervallo DRC calcolato dal rilevatore verrà visualizzato come un numero di impulsi da 1 a 3.

5. Premere il tasto DRC per inviare un segnale DRC. Renderlo da 2 a 10 volte da diversi angoli dell'area di protezione per una capacità ottimale. Il LED lampeggerà confermando che ha ricevuto il segnale. Il LED inizierà a lampeggiare. L'intervallo DRC calcolato dal rilevatore verrà visualizzato come un numero di impulsi da 1 a 3. In caso di segnali troppo deboli o troppo forti al di fuori dell'intervallo di compensazione (significa che il rilevatore è posizionato troppo vicino o troppo lontano dall'oggetto da proteggere), il rilevatore non mostrerà la gamma DRC.
6. Premere il pulsante STOP da una distanza da 1 a 3 m dal rilevatore per terminare la procedura DRC.

Se la gamma di DRC misurata dal rilevatore è diversa dalle impostazioni effettive del DIP switch, il LED continuerà a lampeggiare da 1 a 3 volte mostrando il numero di intervallo corretto da impostare nel rilevatore.

- Il LED lampeggia 1 volta: impostare su Zona 1 (da 4 a 9 m)
- Il LED lampeggia 2 volte: impostare su Zona 2 (da 2 a 4 m)
- Il LED lampeggia 3 volte: impostare su Zona 3 (da 1 a 2 m)

## Protezione di più finestre tramite un rilevatore

Il rilevatore può proteggere più finestre in una stanza se le finestre si trovano nell'area di copertura. Effettuare un test DRC indipendente per ogni finestra da proteggere. Seguire la procedura sopra per ciascuna finestra. Il rilevatore deve essere impostato sul numero più basso della zona che è la portata più lunga dal rilevatore.

## Pausa

Sia il rilevatore GS960AM che il tester GS960-TR sono dotati di una funzione di timeout. Il GS960AM interrompe la modalità DRC e il GS960-TR si spegne se non si verifica alcuna attività entro 3 o 4 minuti.

## Controllo D/N (giorno/notte)

Il controllo D/N consente di controllare a distanza le indicazioni di allarme dei rilevatori e il reset remoto durante la transizione GIORNO-> NOTTE. Il D/N aumenta la sicurezza del rilevatore, poiché consente di nascondere le indicazioni di allarme in modalità NOTTE senza influire sulla funzione del relè.

## Autotest

Il rilevatore controlla continuamente tutte le parti vitali responsabili del corretto rilevamento del segnale di rottura vetro utilizzando la procedura di autotest interna.

## Antimascheramento

Per testare il sistema antimascheramento, attenersi alla seguente procedura:

1. Collegare l'alimentazione. Sigillare completamente il microfono con materiale elastico come plastilina, chewing gum o nastro isolante.  
I relè INTRUSION e FAULT si apriranno dopo max. di 180 s dalla segnalazione del microfono.
2. Rimuovere il materiale di tenuta dal microfono. I relè si chiuderanno in meno di un minuto.

## Capire il LED quando il rilevatore è in funzione

Il LED può avere i seguenti stati durante il funzionamento:

- Lampeggia da 1 a 3 volte quando è acceso: Indicazione dell'intervallo impostato dopo l'accensione
- Off: Stato normale, nessun allarme
- Permanentemente acceso: Rilevata intrusione - se il rilevatore è in modalità Latch
- Permanentemente acceso con 1 abbassamento per 3 s: Mascheramento rilevato
- Permanentemente acceso con 2 abbassamenti per 3 s: Bassa tensione di alimentazione o guasto dell'autotest
- Breve lampeggio: Avviso antimascheramento - oggetti estranei in prossimità del microfono

## Capire il LED durante il test del rilevatore con il tester GS960-TR

Il LED può avere i seguenti stati durante il test:

- Tremolio: In modalità test
- Tremolio e lampeggi: In modalità taratura
- Lampeggiamenti di 1,5 s: Conferma il segnale ricevuto
- Lampeggia lentamente 1 volta ogni 2,5 s dopo la calibrazione: Configurare l'impostazione del raggio sulla Zona 1 (da 4 a 9 m)
- Lampeggia lentamente 2 volte ogni 2,5 s dopo la calibrazione: Configurare l'impostazione del raggio sulla Zona 2 (da 2 a 4 m)
- Lampeggia lentamente 3 volte ogni 2,5 s dopo la calibrazione: Configurare l'impostazione del raggio sulla Zona 3 (da 1 a 2 m)

## Risoluzione dei problemi

Il rilevatore non risponde:

- Controllare la tensione e la polarità di alimentazione

LED permanentemente acceso:

- Spegnerne il rilevatore per un breve periodo
- Controllare se il LED è in modalità di blocco (DIP 1 ON)

LED permanentemente acceso con 1 abbassamento per 3 s:

- Controllare se il microfono non è mascherato con materiale estraneo

LED permanentemente acceso con 2 abbassamenti per 3 s:

- Controllare la tensione di alimentazione — dovrebbe essere superiore a 7 V

Nessun allarme:

- Controllare il cablaggio del relè INTRUSION e FAULT
- Controllare il cablaggio del circuito di allarme

## Specifiche

Tipo (spessore) del vetro protetto:

Minimo	Galleggiante (4 mm)
Massimo	P4 laminato (4 + 4 mm)
Dimensione del vetro protetto	40 × 40 cm min.
Portata massima	9 m di raggio/165°
Impostazione della gamma	Zona 1: Da 4 a 9 m Zona 2: Da 2 a 4 m Zona 3: Da 1 a 2 m
Tensione di alimentazione	Da 7 a 30 V CC
Max. ondulazione di tensione	2 Vp-p a 12 V, 4 Vp-p a 24 V
Controllo tensione	Guasto segnalato a <7 V
Consumo di corrente, max	11,4 mA a 12 V, 7,2 mA a 24 V
Livelli di segnale D/N	Giorno: D/N aperto o < 2,5 V, NOTTE: D/N > 2,5 V
Uscita INTRUSION, uscita FAULT	Relè
Carico max. tollerato dai contatti relè INTRUSION e FAULT	50 mA, 50 V CC / picco CA, Rs ≤ 30 Ω
Carico max. tollerato dai contatti MANOMISSIONE	50 mA / 50 V CC / picco AC
Indicazione di intrusione/guasto	LED
Classe ambientale EN 50130-5: 2011, VdS 2110	Classe I
Intervallo di temperatura di funzionamento	Da +5 a 40 °C
Intervallo di umidità di funzionamento	Max. 93% RH
Materiale dell'alloggiamento	ABS plastica, bianco
Dimensioni (L x A x P)	68 x 109 x 40 mm
Grado di sicurezza	EN 50131-2-7-1:2012/A1:2013, Grado 3; VdS 2332, classe B
Approvazione	VdS: G118505
Accessorio	Scheda resistore EOL plug-in GS960-RB

## Certificazione e conformità

Costruttore MESSO SUL MERCATO DA:  
Carrier Fire & Security Americas Corporation Inc.  
13995 Pasteur Blvd  
Palm Beach Gardens, FL 33418, USA  
AUTORIZZATO RAPPRESENTANTE UE:  
Carrier Fire & Security B.V.  
Kelvinstraat 7, 6003 DH Weert, Netherlands

Avvertenze sul prodotto e dichiarazioni di non responsabilità



QUESTI PRODOTTI SONO DESTINATI ALLA VENDITA A, E DEVONO ESSERE MONTATI DA, UN ESPERTO QUALIFICATO. CARRIER FIRE & SECURITY NON PUÒ GARANTIRE CHE LE PERSONE O GLI ENTI CHE ACQUISTANO I SUOI PRODOTTI, COMPRESI I "RIVENDITORI AUTORIZZATI", DISPONGANO DELLA FORMAZIONE O ESPERIENZA ADEGUATE PER ESEGUIRE LA CORRETTA INSTALLAZIONE DI PRODOTTI PER LA SICUREZZA E PER LA PROTEZIONE ANTINCENDIO.

Per ulteriori informazioni sulle esclusioni di garanzia e sulla sicurezza dei prodotti, consultare il sito

<https://firesecurityproducts.com/policy/product-warning/> oppure eseguire la scansione del codice QR.

Certificazione

Direttive Unione Europea Carrier Fire & Security dichiara che questo dispositivo è conforme ai requisiti applicabili e alle disposizioni della Direttiva 2014/30/UE. Per ulteriori informazioni, vedere [www.firesecurityproducts.com](http://www.firesecurityproducts.com) o [www.aritech.com](http://www.aritech.com).

REACH Il prodotto può contenere sostanze che sono anche sostanze appartenenti all'elenco di candidati per una concentrazione superiore allo 0,1% p / p, l'elenco dei candidati pubblicato più di recente è disponibile sul sito Web dell'ECHA.  
Informazioni sull'uso sicuro sono disponibili all'indirizzo <https://firesecurityproducts.com/en/content/intrusion-intro>



2012/19/EU (Direttiva WEEE): I prodotti contrassegnati con questo simbolo, non possono essere smaltiti nei comuni contenitori per lo smaltimento rifiuti, nell'Unione Europea. Per il loro corretto smaltimento, potete restituirli al vostro fornitore locale a seguito dell'acquisto di un prodotto nuovo equivalente, oppure rivolgervi e consegnarli presso i centri di raccolta preposti. Per maggiori informazioni vedere: [recyclethis.info](http://recyclethis.info)

## Informazioni di contatto

[www.firesecurityproducts.com](http://www.firesecurityproducts.com) o [www.aritech.com](http://www.aritech.com)

Per l'assistenza clienti, vedere [www.firesecurityproducts.com](http://www.firesecurityproducts.com)

## NL: Installatieblad

### Beschrijving

De GS960AM een akoestische glasbreukdetector die een alarm geeft wanneer glas wordt ingeslagen bij inbraakpogingen via ramen, deuren en glazen wanden.

De detector is gebaseerd op geavanceerde microcontrollertechnologie en is uitgerust met Digital Room Compensation (DRC), een systeem dat geprogrammeerd is om veel relevante akoestische factoren in aanmerking te nemen. Hierdoor is hij in staat onderscheid te maken tussen een echte glasbreuk en andere irrelevante geluiden.

De detector is bedoeld voor gebruik binnenshuis. De dekkingsafstand is 1 tot 9 m (zie afbeelding 2). De dekkingshoek is 165°, wat betekent dat één detector meerdere ramen in dezelfde ruimte kan beveiligen. De detector kan op het plafond of aan de muur worden gemonteerd met een vrije "zichtlijn" naar het raam dat wordt beschermd.

De GS960AM is uitgerust met een AM-functie, een bijzonder relais, dat een alarm geeft bij maskering van de microfoon.

*De GS960AM is gecertificeerd volgens EN 50131-2-7-1:2012, Veiligheidsklasse 3.*

#### Afbeelding 1: Lay-out van de detector

- |                            |                        |
|----------------------------|------------------------|
| (1) Vergrendeling bovenkap | (4) Bovenkap           |
| (2) Basis                  | (5) Microfoon          |
| (3) LED                    | (6) Maskeringsdetector |

#### Afbeelding 4: Detectorbasis

- |                            |  |
|----------------------------|--|
| (1) Uitsparing kabelmantel | (5) Montage-opening 2                              |
| (2) Aansluitblok           | (6) Montage-opening 3                              |
| (3) Montage-opening 1      | (7) Sleuven voor het monteren van de bovenkaphaken |
| (4) Schroef van bovenkap   |  |

#### Afbeelding 5: Bovenkap

- |                            |  |
|----------------------------|--|
| (1) Vergrendeling bovenkap | (4) PC-aansluiting                             |
| (2) Aansluitblokpinnen     | (5) DIP-switch                                 |
| (3) Sabotagecontact        | (6) Haken om bovenkap aan basis vast te houden |

## Verbinding met een 24-uur circuit

De detector werd ontworpen om continue bewaking te bieden en is extra bestendig tegen verschillende akoestische storingen. Hij zal in de meeste omgevingen goed werken. In kamers met zeer veel storingen zoals in industriële werkplaatsen en sportscholen, wordt het echter aanbevolen om de detector gedurende 3 tot 4 weken te testen alvorens te besluiten deze continu te gebruiken. In zeldzame gevallen kan een combinatie van willekeurige geluiden een alarm activeren.

## Gesignaleerde gebeurtenissen

De detector heeft twee relais en een microswitch om gedetecteerde en verwerkte gebeurtenissen in de vorm van de volgende signalen aan het bedieningspaneel te signaleren in volgorde van prioriteit:

- Glasbreuk — gesignaleerd door INBRAAK-relais
- Lage voedingsspanning of zelftest mislukt — gesignaleerd door STORING-relais
- Maskering — gesignaleerd door INBRAAK- en STORING-relais
- Sabotage — onafhankelijk gesignaleerd door SABOTAGE- microswitch.

Gebeurtenis	Signaal verzonden door relais of microschakelaar		
	Inbraak	Storing	Sabotage
Geen verstoring	Gesloten	Gesloten	Gesloten



Inbraak	OPEN	Gesloten	Gesloten
Maskering:	OPEN	OPEN	Gesloten
Lage voedingsspanning	Gesloten	OPEN	Gesloten
Lokale zelftest mislukt	Gesloten	OPEN	Gesloten
Sabotage	Gesloten	Gesloten	OPEN

## Speciaal gereedschap

In de meeste ruimten (bijvoorbeeld kantoren) zijn tijdens de installatie geen speciale gereedschappen nodig. In ruimten met gecompliceerde akoestiek wordt het aanbevolen om de GS960-TR-tester te gebruiken. De GS960-TR kan ook worden gebruikt voor functietests en jaarlijks onderhoud.

Zie ook "Controleer de instellingen met de GS960-TR-tester" op pagina 26.

## Detector openen

Zie afbeelding 3.

**Ga als volgt te werk om de detector te openen:**

1. Schuif de vergrendeling van de bovenkap omhoog (afbeelding 3, item 1)
2. Draai de schroef los (item 2)
3. Trek aan de bovenkap om te openen (item 3)

## Montage-instructies

- De detector moet worden geïnstalleerd aan het plafond of op een wand tegenover het te beveiligen glas.
- Er is een duidelijke "zichtlijn" tussen de "microfoon" van de detector en het glas vereist.
- Detectorlocatie voor wand- of plafondmontage wordt getoond in afbeelding 10.
  - De afstand tussen het glas en de detector moet 1 tot 9 m zijn.
  - De detector moet minimaal 50 cm van een hoek worden geïnstalleerd.
  - De detector moet minimaal 1 m boven de vloer worden geïnstalleerd.
  - De detector moet minimaal 30 cm van het plafond (bij wandmontage) worden geïnstalleerd.
- De detector moet op een vlak oppervlak worden geïnstalleerd dat vrij is van objecten in een straal van 50 cm van de detector.
- De detector mag niet in de buurt van luchtroosters of grote geluidsreflecterende obstakels worden geïnstalleerd.
- Monteer de detector nooit in hoeken.

## Installatie

1. Kies de beste montagepositie op de wand of het plafond.
2. Draai de schroeven van de bovenkap los en verwijder het bovenste gedeelte
3. Gebruik het onderste gedeelte als sjabloon en markeer de plaats van de gaten met een pen

4. Gebruik een boor van 2,5 mm voor de meegeleverde zelftappende schroeven. Gebruik indien nodig muurankers
5. Knip zo nodig de gemarkeerde "uitsparingsopening" aan de achterkant van de basis uit met een tang
6. Trek de bedradingskabel door de "uitsparingsopening" in de bodemplaat
7. Sluit de bedrading aan op de schroefaansluitingen. Zie Tabel hieronder voor meer informatie.
8. Gebruik een kabelband om de kabel aan de detector te bevestigen.
9. Bevestig de detector stevig op de basis met de meegeleverde schroeven.
10. Stel het gewenste bereik in, d.m.v. de instelling van de detectorgevoeligheid met behulp van de DIP-switch nr. 2 en 3. Zie "DIP-switch" hieronder voor meer informatie.
11. Controleer de raamconstructies en verifieer welk soort glas wordt gebruikt en vooral in de ruit die zich het dichtst bij de kamer bevindt.

**Tabel 1: Aansluitingspinnen**

Pin	Markering	Functie
1	(-)	Aarding
2	(+)	Plus 7 tot 30 V gelijkspanning (DC)
3	D/N	Dag-en-nachtregeling van LED
4	INBRAAK	Uitgang C INBRAAK-relais
5	INBRAAK	Uitgang NC INBRAAK-relais
6	Reserve	Reservecontact (niet verbonden)
7	STORING	Uitgang C STORING-relais
8	STORING	Uitgang NC STORING-relais
9	Reserve	Reservecontact (niet verbonden)
10	SABOTAGE	Uitgang C sabotageschakelaar
11	SABOTAGE	Uitgang NC sabotageschakelaar
12	Reserve	Reservecontact (niet verbonden)

**Opmerking:** U kunt de extra GS960-RB plug-in voor EOL-weerstanden gebruiken, waarmee u de GS960AM eenvoudig kunt integreren in een bestaand Advisor Advanced-systeem zonder EOL-weerstanden te moeten toevoegen.

## DIP-switch

Functies van de DIP-switches worden beschreven in Tabel 2 hieronder.

**Tabel 2: Functies DIP-switch**

DIP-	Functie	Instelling			
		AAN: Vergrendeld		UIT: Auto	
1	INBRAAK-relaismodus				
2	Bereikinstelling	4 tot 9 m Zone1	2 tot 4 m Zone 2	1 tot 2 m Zone 3	
		UIT	UIT	AAN	AAN
3	Bereikinstelling	UIT	AAN	UIT	AAN

## INBRAAK-relaismodus

- DIP 1 AAN: INBRAAK-relaismodus AAN betekent dat het INBRAAK-relais gesloten zal zijn en open is in alarm.

- DIP 1 UIT: INBRAAK-relaismodus UIT betekent dat het INBRAAK-relais automatisch wordt gereset na 2 seconden in alarm.

## Bereik

De instellingen van het DIP-switchbereik worden getoond in afbeelding 6.

### Afbeelding 6: Instellingen DIP-switchbereik

- (1) 4 tot 9 m, Zone 1: UIT, UIT
- (2) 2 tot 4 m, Zone 2: UIT, AAN of AAN, UIT
- (3) 1 tot 2 m, Zone 3: AAN, AAN

## Voorgestelde instellingen van de detector, afhankelijk van het raamontwerp en het glastype

Controleer de raamconstructies en verifieer welk soort glas wordt gebruikt en vooral in de ruit die zich het dichtst bij de kamer bevindt.

- **Enkel glas** (vuurgepolijst en gehard) - Stel de detector in op de gemeten afstand van het glas tot de detector.
- **Dubbel glas** (vuurgepolijst en gehard). Als er grote storingen in de omgeving aanwezig zijn, plaatst u de detector op de gemeten afstand van het glas tot de detector. Bij normale of lage storingen moet de detector worden ingesteld op Zone 1.
- **Dubbel glas** waar de binnenruit bedekt is met **beveiligingsfilm** - Stel de detector in op Zone 1, los van de gemeten afstand.
- **Driedubbel glas** (vuurgepolijst en gehard) - Stel de detector in op Zone 1, los van de gemeten afstand.
- **Gelamineerd glas** - Stel de detector in op Zone 1, los van de gemeten afstand.

Vensterontwerp	Glastype ruit in de kamer		Bereik		
			1– 2 m	2– 4 m	4– 9 m
Enkel glas	Vuurgepolijst en gehard		Zone 3	Zone 2	Zone 1
Dubbel glas	Vuurgepolijst en gehard	Hoge storingen	Zone 3	Zone 2	Zone 1
		Lage storingen	Zone 1		
Driedubbel glas	Vuurgepolijst en gehard		Zone 1		
Dubbel glas met veiligheidsfilm	Vuurgepolijst met beveiligingsfilm		Zone 1		
Enkele en multi-beglazing	Gelaagd glas		Zone 1		

## De detector sluiten

### Ga als volgt te werk om de detector te sluiten

1. Plaats bovenkaphaken in sleuven in de basis (afbeelding 7, item 1)
2. Sluit de bovenkap (item 2)
3. Draai de borgschroef vast (item 3)

4. Schuif de bovenkapvergrendeling omlaag (item 4)

## Controleer de instellingen met de GS960-TR-tester

Als de detector te ver of te dicht bij het glas is geplaatst, reageert deze niet. Bij het uitvoeren van de DRC-testen knippert de LED van de detector 1, 2 of 3 keer om aan te geven dat hij zich in een bepaalde zone bevindt. Als de LED niet knippert, moet een betere plaats worden geselecteerd.

1. Plaats de bovenkap erop en zorg ervoor dat deze goed in de basis van de detector haakt.
2. Sluit de voeding aan. De LED zal nu uw bereikinstelling aangeven door 1 tot 3 keer te knipperen.
3. Gebruik de GS960-TR om de detector te testen en te kalibreren voor een optimaal bereik.

## Testen en kalibreren

Het GS960-TR-testapparaat is een speciaal ontwikkeld hulpmiddel voor het kalibreren en afstellen van de GS960AM-detector voor optimale functioneren in de akoestische ruimte — deze procedure heet de DRC Digital Room Compensation-procedure. Bij het testen van de detectorinstellingen hoeft u deze niet opnieuw te openen omdat de tester akoestisch met de detector communiceert. Test de GS960AM nooit met een bovenkap die van een basis is gedemonteerd. Zorg ervoor dat de bovenkap goed is bevestigd.

**Let op:** Gebruik de GS960-TR-tester niet in de buurt van uw oren, want de tester produceert luide geluiden.

## Digital Room Compensation-procedure

Bereid de akoestische detector voor op DRC door de D/N-lijn (indien gebruikt) in de DAG-modus (DAY) in te stellen — De D/N-lijn moet open of Laag zijn.

1. Druk op de START-knop van de GS960-TR-tester om in te schakelen. Groene LED gaat branden.
2. Houd de tester 1 tot 3 m van de detector en richt de luidspreker naar de detector.
3. Druk nogmaals op de START-knop om de DRC-modus te starten. De LED op de detector begint te flikkeren. Zie afbeelding 8.
4. Ga naar de verste afstand (max. 9 m) van het te beveiligen glas en richt de luidspreker op de detector. Zie afbeelding 9.  
Het door de detector berekende DRC-bereik wordt weergegeven als een aantal pulsen van 1 tot 3.
5. Druk op de DRC-knop om een DRC-signaal uit te sturen. Doe dit 2 tot 10 keer vanuit verschillende hoeken van het beschermingsgebied voor een optimale dekking. De LED knippert en bevestigt dat hij het signaal heeft ontvangen. De LED begint dan te knipperen en flikkeren. Het door de detector berekende DRC-bereik wordt weergegeven als een aantal pulsen van 1 tot 3. In geval van te zwakke of te sterke signalen buiten het compensatiebereik (dit betekent dat de detector te dichtbij of te ver van het te beveiligen object wordt geplaatst), zal de detector het DRC-bereik niet tonen.

6. Druk op de STOP-knop op een afstand van 1 tot 3 m van de detector om de DRC-procedure te beëindigen.

Als het door de detector gemeten DRC-bereik afwijkt van de werkelijke DIP-switch-instellingen, blijft de LED 1 tot 3 keer knipperen en wordt het juiste bereiknummer dat in de detector moet worden ingesteld weergegeven.

- De LED knippert 1 keer: stel in op Zone 1 (4 tot 9 m)
- De LED knippert 2 keer: stel in op Zone 2 (2 tot 4 m)
- De LED knippert 3 keer: stel in op Zone 3 (1 tot 2 m)

## Meerdere ramen beveiligen met één detector

De detector kan meerdere ramen in één ruimte beveiligen als de ramen zich binnen het dekkingsgebied bevinden. Voer een onafhankelijke DRC-test uit voor elk raam dat moet worden beveiligd. Volg de bovenstaande procedure voor elk raam. De detector moet worden ingesteld op het laagste zonenummer, dat is het verste bereik van de detector.

## Time-out

Zowel de GS960AM-detector als de GS960-TR-tester zijn uitgerust met een time-outfunctie. De GS960AM stopt de DRC-modus en de GS960-TR schakelt uit als er binnen 3 tot 4 minuten geen activiteit plaatsgevonden heeft.

## D/N-regeling (dag/nacht)

De D/N maakt het mogelijk om op afstand de alarmindicaties van de detectoren te regelen en op afstand te resetten tijdens de DAG->NACHT overgang. De D/N verhoogt de beveiliging van de detector, omdat hierdoor de alarmindicaties kunnen worden verborgen in de NACHT-modus zonder enige invloed op de relaisfunctie.

## Zelftest

De detector controleert continu alle vitale onderdelen die verantwoordelijk zijn voor correcte detectie van het glasbreuksignaal met behulp van de interne zelftestprocedure.

## Antimaskering

Voer de volgende stappen uit om het antimaskeringssysteem te testen:

1. Zet de stroom aan. Sluit de microfoon volledig af met elastisch materiaal zoals plasticine, kauwgom of isolatietape.

INBRAAK- en STORING-relais worden na max. van 180 s signaleringsmaskering van microfoon geopend.

2. Verwijder het afdichtmateriaal van de microfoon. Relais zullen in minder dan een minuut sluiten.

## De LED begrijpen wanneer de detector in bedrijf is

De LED kan de volgende toestanden hebben in bedrijf:

- Knippert 1 tot 3 keer wanneer ingeschakeld: Indicatie van bereikinstelling na inschakelen

- Uit: Normale status, geen alarmen
- Permanent aan: Inbraak gedetecteerd - als de detector in de gesloten contact modus staat
- Permanent aan met 1 dip per 3 s: Maskering gedetecteerd
- Permanent aan met 2 dips per 3 s: Lage voedingsspanning of mislukte zelftest
- Korte knippering: Antimasking-waarschuwing - vreemd voorwerp in de buurt van microfoon

## De LED begrijpen bij het testen van de detector met GS960-TR-testapparaat

De LED kan tijdens de test de volgende toestanden hebben:

- Flikkert: In testmodus
- Flikkert en knippert: In kalibratiemodus
- Knippert 1,5 sec: Bevestigt ontvangen signaal
- Knippert langzaam 1 keer elke 2,5 sec. na kalibratie: Stel de bereikinstelling in op Zone 1 (4 tot 9 m)
- Knippert langzaam 2 keer per 2,5 s na kalibratie: Stel de bereikinstelling in op Zone 2 (2 tot 4 m)
- Knippert langzaam 3 keer per 2,5 s na kalibratie: Stel de bereikinstelling in op Zone 3 (1 tot 2 m)

## Probleemoplossing

Detector reageert niet:

- Controleer de voedingsspanning en polariteit

LED permanent aan:

- Schakel de detector voor een korte periode uit
- Controleer of de LED in de gesloten contact modus staat (DIP 1 AAN)

LED permanent aan met 1 dip per 3 s:

- Controleer of de microfoon niet afgedekt is met vreemd materiaal

LED permanent aan met 2 dips per 3 s:

- Controleer de voedingsspanning - deze moet hoger zijn dan 7 V

Geen alarm

- Controleer de bedrading van het INBRAAK- en STORING-relais
- Controleer de bedrading van het alarmcircuit

## Specificaties

Type (dikte) van beveiligd glas:

Minimum	Vuurgepolijst (4 mm)
Maximaal	Gelamineerd P4 (4 4 mm)
Grootte van beschermd glas	40 × 40 cm min.
Max. bereik	straal van 9 m/165°
Bereikinstelling	Zone 1: 4 tot 9 m Zone 2: 2 tot 4 m Zone 3: 1 tot 2 m
Aansluitspanning	7 tot 30 V gelijkspanning (DC)
Max. spanningsrimpel	2 Vp-p bij 12 V, 4 Vp-p bij 24 V

Spanningsbewaking	Fout gemeld bij < 7 V
Stroomverbruik, max	11,4 mA bij 12 V, 7,2 mA bij 24 V
D/N-signaalniveaus	DAG: D/N open of <2,5 V, NACHT: D/N > 2,5 V
INBRAAK-uitgang, STORING-uitgang	Relais
INBRAAK- en STORING-relaiscontactspanning	50 mA, 50 V DC/piek AC, Rs ≤ 30 Ω
SABOTAGE-contactspanning	50 mA/50 V DC/piek AC
Inbraak-/storingsindicatie	LED
Milieuklasse EN 50130-5:2011, VdS 2110	Klasse I
Bedrijfstemperatuurbereik	+5 tot 40°C
Operationeel vochtigheidsbereik	Max. 93% RH
Materiaal van behuizing	Kunststof ABS, wit
Afmetingen (B x H x D)	68 x 109 x 40 mm
Beveiligingsniveau	EN 50131-2-7-1:2012/A1:2013, Niveau 3; VdS 2332, klasse B
Goedkeuringen	VdS: G118505
Accessoire	GS960-RB plug-in EOL-weerstand

## Algemene Informatie

Fabrikant	OP DE MARKT GEBRACHT DOOR: Carrier Fire & Security Americas Corporation Inc. 13995 Pasteur Blvd Palm Beach Gardens, FL 33418, USA  GEAUTORISEERDE EU VERTEGENWOORDIGER: Carrier Fire & Security B.V. Kelvinstraat 7, 6003 DH Weert, Nederland
-----------	---

Waarschuwingen en disclaimers met betrekking tot de producten	DEZE PRODUCTEN ZIJN BEDOELD VOOR VERKOOP AAN EN INSTALLATIE DOOR GEKwalificeerde beroepskrachten. CARRIER FIRE & SECURITY GEVEN GEEN GARANTIE DAT EEN PERSOON OF ENTITEIT DIE DIENS PRODUCTEN AANSCHAFT, WAARONDER "GEAUTORISEERDE DEALERS" OF "GEAUTORISEERDE WEDERVERKOPERS", OP DE JUISTE WIJZE ZIJN OPGELEID OF VOLDOENDE ERVARING HEBBEN OM PRODUCTEN MET BETREKKING TOT BRAND EN BEVEILIGING OP DE JUISTE WIJZE TE INSTALLEREN.
---	---

Zie voor meer informatie over garantiebepalingen en productveiligheid <https://firesecurityproducts.com/policy/product-warning/> of scan de QR-code.

Certificatie	
--------------	---

Richtlijnen Europese Unie	Carrier Fire & Security verklaart hierbij dat dit apparaat voldoet aan de toepasselijke eisen en bepalingen van de Regelgeving 2014/30/EU. Voor meer informatie zie <a href="http://www.firesecurityproducts.com">www.firesecurityproducts.com</a> of <a href="http://www.aritech.com">www.aritech.com</a> .
---------------------------	--

REACH	Product kan stoffen bevatten die ook stoffen van de kandidatenlijst zijn in een concentratie van meer dan 0,1% w/w, volgens de meest recent gepubliceerde kandidatenlijst op ECHA-website. Informatie over veilig gebruik is te vinden op <a href="https://firesecurityproducts.com/en/content/intrusi-on-intr">https://firesecurityproducts.com/en/content/intrusi-on-intr</a>
-------	---



2012/19/EU (WEEE richtlijn): Producten met deze label mogen niet verwijderd worden via de gemeentelijke huisvuilscheiding in de Europese Gemeenschap. Voor correcte vorm van kringloop, geef je de producten terug aan jou lokale leverancier tijdens het aankopen van een gelijkaardige nieuw toestel, of geef het af aan een gespecialiseerde verzamelpunt. Meer informatie vindt u op de volgende website: [recyclethis.info](http://recyclethis.info)

## Contact informatie

[www.firesecurityproducts.com](http://www.firesecurityproducts.com) of [www.aritech.com](http://www.aritech.com)

Voor klantenondersteuning, zie [www.firesecurityproducts.com](http://www.firesecurityproducts.com)

## PL: Arkusz instalacyjny

### Opis

GS960AM jest akustyczną czujką słuchania szyby przekazującą alarm w przypadku rozbicia szkła przy próbie włamania przez okno, drzwi lub przeszklone ściany.

Czujkę zbudowano w oparciu o zaawansowaną technologię mikrokontrolera oraz zaprogramowano tak, aby uwzględnił wiele istotnych czynników akustycznych: łącznie jest to cyfrowa kompensacja pomieszczenia (DRC). Dzięki temu czujka jest w stanie odróżnić dźwięk pęknięcia szkła od innych nieistotnych dźwięków.

Czujka jest przeznaczona do użytku w pomieszczeniach. Zasięg działania czujki wynosi od 1 do 9 m (patrz rys. 2). Kąt detekcji wynosi 165°, co oznacza, że jedna czujka może zabezpieczyć kilka okien w tym samym pomieszczeniu. Czujka może zostać zamontowana na suficie lub na ścianie przy zachowaniu „widoczności” chronionego okna.

GS960AM wyposażony jest w funkcję AM, osobny przekaźnik, który wywołuje alarm przy sabotażu mikrofonu.

*Czujka GS960AM posiada certyfikat zgodności z normą EN 50131-2-7-1:2012, stopień ochrony 3.*

#### Rysunek 1: Układ czujki

- |                     |   |
|---------------------|---|
| (1) Blokada pokrywy | (4) Pokrywa                             |
| (2) Podstawa        | (5) Mikrofon                            |
| (3) Dioda LED       | (6) Urządzenie do wykrywania maskowania |

#### Rysunek 4: Podstawa czujki

- |                                 |                                      |
|---------------------------------|--------------------------------------|
| (1) Przejście na kabel          | (5) Otwór montażowy 2                |
| (2) Listwa zaciskowa            | (6) Otwór montażowy 3                |
| (3) Otwór montażowy 1           | (7) Zaczepy do montażu haków pokrywy |
| (4) Śrubka do mocowania pokrywy |                                      |

#### Rysunek 5: Pokrywa

- |                            |   |
|----------------------------|---|
| (1) Blokada pokrywy        | (4) Interfejs do komputera                |
| (2) Piny listy zaciskowej  | (5) Przełącznik DIP:                      |
| (3) Przełącznik sabotażowy | (6) Haczyki mocujące pokrywę na podstawie |

## Połączenie z linią całodobową

Czujka została zbudowana z myślą o ciągłym nadzorze. Jest wyjątkowo odporna na różne zakłócenia akustyczne. Może on działać prawidłowo w większości środowisk. Jednak w pomieszczeniach o bardzo głośnym otoczeniu, takim jak

warsztaty przemysłowe lub siłownie, zalecamy przetestowanie czujki przez 3 do 4 tygodni przed podjęciem decyzji o jej ciągłym użytkowaniu. W rzadkich przypadkach alarm może wyzwoić połączenie różnych losowych dźwięków.

## Sygnalizowane zdarzenia

Czujka ma dwa przekaźniki i jeden mikroprzełącznik do sygnalizowania wykrytych i przetworzonych zdarzeń do centrali alarmowej w ustalonej kolejności jako następujące sygnały:

- Wybicie szyby — sygnalizowane przez przekaźnik WŁAMANIE
- Niskie napięcie zasilania lub awaria autotestu — sygnalizowane przez przekaźnik BŁĄD
- Maskowanie — sygnalizowane przekaźnikiem WŁAMANIE i BŁĄD.
- Sabotaż — sygnalizowany niezależnie przez mikroprzełącznik SABOTAŻ.

Zdarzenie	Sygnał wysyłany przez przekaźnik lub mikroprzełącznik		
	Włamanie	Błąd	Sabotaż
Brak bodźca	Zwarty	Zwarty	Zwarty
Włamanie	ROZWARTY	Zwarty	Zwarty
Maskowanie	ROZWARTY	ROZWARTY	Zwarty
Niskie napięcie	Zwarty	ROZWARTY	Zwarty
Błąd lokalnego autotestu	Zwarty	ROZWARTY	Zwarty
Sabotaż	Zwarty	Zwarty	ROZWARTY

## Narzędzia specjalne

W większości pomieszczeń (na przykład w biurach) do montażu nie są wymagane żadne specjalne narzędzia. W pomieszczeniach o skomplikowanej akustyce zalecamy użycie testera GS960-TR. GS960-TR może być również posłużyc do testowania pracy i corocznej konserwacji.

Patrz również „Sprawdź ustawienia testera GS960-TR” na stronie 30.

## Otwieranie czujki

Patrz rysunek 3.

**Aby otworzyć czujkę, wykonaj następujące kroki:**

1. Wsuń osłonę blokady pokrywy (rys. 3, poz. 1)
2. Poluzuj śrubę (poz. 2).
3. Pociągnij pokrywę, aby otworzyć (poz. 3)

## Instrukcje montażu

- Czujkę należy zamontować na suficie lub na ścianie naprzeciwko chronionej szyby.
- Wymagana jest wyraźna „linia widzenia” między mikrofonem czujki i szybą.
- Lokalizacja czujki do mocowania ściennego lub sufitowego została pokazana na rys. 10.

- Odległość między szybą i czujką powinna wynosić od 1 do 9 m.

- Czujkę należy zamontować w odległości min. 50 cm od narożnika.

- Czujkę należy zamontować w odległości min. 1 m od podłogi.

- Czujkę należy zamontować w odległości min. 30 cm od sufitu (przy mocowaniu ściennym).

- Czujka powinna być zamontowana na płaskiej powierzchni, wolnej w promieniu 50 cm od obiektów.
- Czujki nie należy instalować w pobliżu otworów wentylacyjnych lub dużych przeszkód odbijających dźwięk.
- Nie wolno montować czujki w narożnikach.

## Montaż

1. Wybierz najlepszą pozycję montażową na ścianie lub suficie.
2. Poluzuj śrubę pokrywy i wyjmij pokrywę
3. Użyj podstawy jako szablonu i zaznacz ołówkiem miejsca otworów montażowych.
4. Do wkrętów samogwintujących należy użyć wiertła 2,5 mm. W razie potrzeby należy zastosować kotwy ścienne
5. W razie potrzeby wyciąć szczypcami zaznaczony z tyłu podstawy „otwór na kabel”.
6. Przeciągnąć kabel przez otwór w podstawie.
7. Podłączyć przewody do zacisków śrub. Więcej informacji podano w Tab. 1 niżej.
8. Użyj dołączonego paska do przymocowania kabla połączeniowego do czujki.
9. Przymocuj czujkę do podstawy za pomocą dołączonych śrub.
10. Ustaw żądany zasięg, tj. czułość czujki za pomocą przełączników DIP nr 2 i 3. Szczegóły: „Przełącznik DIP” na stronie 30.
11. Sprawdź konstrukcje okien i zwróć uwagę, jakiego rodzaju szyby są używane; w szczególności w szybie najbliższej pomieszczenia.

Tab. 1: Piny listy zaciskowej

Pin	Oznaczenie	Funkcja
1	(-)	Uziemienie
2	(+)	Od 7 do 30 V DC
3	D/N	Sterowanie trybem dziennym i nocnym diody LED
4	WŁAMANIE	Wyjścia przekaźnikowe WŁAMANIE typu C
5	WŁAMANIE	Wyjście przekaźnikowe WŁAMANIE typu NC
6	Zapaso	Styk zapasowy (niepołączony)
7	BŁĄD	Wyjście przekaźnikowe BŁĄD typu C
8	BŁĄD	Wyjście przekaźnikowe BŁĄD typu NC
9	Zapaso	Styk zapasowy (niepołączony)
10	SABOTAŻ	Wyjście przekaźnikowe sabotażowe typu C.

Pin	Oznaczenie	Funkcja
11	SABOTAŻ	Wyjście przełącznikowe sabotażowe typu NC.
12	Zapaszowe	Styk zapaszowy (niepołączony)

**Uwaga:** Możesz użyć dodatkowej płyty rezystorów końca linii GS960-RB, który pozwala na łatwą integrację GS960AM z istniejącym systemem Advisor Advanced bez konieczności dodawania rezystorów końca linii.

## Przełącznik DIP

Funkcje przełącznika DIP opisano w Tab. 2 niżej.

Tab. 2: Funkcje przełącznika DIP

DIP	Funkcja	Ustawienia			
1	Tryb przekaźnika WŁAMANIE	ZAŁ.: Zatrask		WYŁ.: Auto	
2	Ustawienie zasięgu	4 do 9 m Strefa 1	2 do 4 m Strefa 2	1 do 2 m Strefa 3	
		WYŁ.	WYŁ.	ZAŁ.	ZAŁ.
3	Ustawienie zasięgu	WYŁ.	ZAŁ.	WYŁ.	ZAŁ.

### Tryb przekaźnika WŁAMANIE

- DIP 1 ZAŁ.: Włączenie trybu przekaźnika WŁAMANIE oznacza, że przekaźnik WŁAMANIE przełączy się w zatrask i otworzy się przy alarmie.
- DIP 1 WYŁ.: Wyłączenie trybu przekaźnika WŁAMANIE oznacza, że przekaźnik WŁAMANIE będzie się automatycznie resetował po dwóch sekundach w alarmie.

### Zasięg

Ustawienia zasięgu przełącznika DIP znajdują się w tabeli poniżej.

Rysunek 6: Ustawienia zasięgu przełącznika DIP

- 4 do 9 m, strefa 1: WYŁ., WYŁ.
- 2 do 4 m, strefa 2: WYŁ., WŁ. lub WŁ., WYŁ.
- 1 do 2 m, strefa 3: WŁ., WŁ.

## Sugerowane ustawienia czujki w zależności od konstrukcji okna i rodzaju szyby

Sprawdź konstrukcje okien i zwróć uwagę, jakiego rodzaju szyby są używane; w szczególności w szybie najbliższej pomieszczenia.

- Jedna szyba** (płaska i hartowana) — ustaw czujkę w zmierzonej odległości od szyby.
- Dwie szyby** (płaska i hartowana). Jeśli występują mocne zniekształcenia w otoczeniu — ustaw czujkę w zmierzonej odległości od szyby do czujki. Przy normalnych lub małych zniekształceniach — ustaw czujkę w strefie 1.
- Dwie szyby**, w których wewnętrzna została oklejona **folią zabezpieczającą** — ustaw czujkę w strefie 1 poza zmierzoną odległością.
- Trzy szyby** (płaska i hartowana) — ustaw czujkę w strefie 1 poza zmierzoną odległością.
- Szyba laminowana** — ustaw czujkę w strefie 1 poza zmierzoną odległością.

Konstrukcja okna	Typ szkła w szybie wewnątrz pomieszczenia		Zasięg		
			1–2 m	2–4 m	4–9 m
Jedna szyba	Płaska i hartowana		Strefa 3	Strefa 2	Strefa 1
Dwie szyby	Płaska i hartowana	Mocne zniekształcenia	Strefa 3	Strefa 2	Strefa 1
		Słabe zniekształcenia	Strefa 1		
Trzy szyby	Płaska i hartowana		Strefa 1		
Dwie szyby z folią zabezpieczającą	Płaska z folią zabezpieczającą		Strefa 1		
Szyby pojedyncze i zespolone	Laminowane		Strefa 1		

## Zamykanie czujki

Aby zamknąć czujkę, wykonaj następujące czynności:

- Włóż haki do otworów w podstawie (rys. 7, poz. 1)
- Zamknij pokrywę (poz. 2)
- Dokręć śrubę blokującą (poz. 3)
- Zasuń osłonę blokady pokrywy (poz. 4)

## Sprawdź ustawienia testera GS960-TR

Jeśli czujka zostanie umieszczona zbyt daleko od szyby lub zbyt blisko niej, nie będzie reagować. W czasie testów DRC dioda LED czujki będzie migać 1, 2 lub 3 razy, aby pokazać, że znajduje się w określonej strefie. Jeśli nie miga, należy wybrać lepsze miejsce.

- Założ pokrywę i upewnij się, że prawidłowo zaczęła się o podstawę czujki.
- Włącz zasilanie. Dioda LED zasygnalizuje teraz ustawienie zasięgu, migając od 1 do 3 razy.
- Użyj GS960-TR do przetestowania i skalibrowania czujki w celu uzyskania optymalnej pozycji.

## Testowanie i kalibracja

Tester GS960-TR to specjalnie opracowane narzędzie do kalibracji i regulacji czujki GS960AM w celu uzyskania optymalnej funkcji w pomieszczeniu akustycznym za pomocą procedury cyfrowej kompensacji pomieszczenia DRC. Tester komunikuje się z czujką akustycznie, co oznacza, że nie trzeba go ponownie otwierać. Nie testuj czujki GS960AM ze zdemontowaną pokrywą. Upewnij się, że pokrywa jest prawidłowo zamocowana.

**Uwaga:** Nie używaj testera GS960-TR w pobliżu uszu. Wydaje on głośno dźwięki.

## Procedura cyfrowej kompensacji pomieszczenia (DRC)

Przygotuj czujkę akustyczną do procedury DRC, ustawiając linię D/N (jeśli jest używana) w trybie dziennym; linia D/N powinna mieć stan Otwarta lub Niska.

1. Naciśnij przycisk START testera GS960-TR i włącz zasilanie. Zielona dioda LED zaświeci się.
2. Przytrzymaj tester w odległości 1 do 3 m od czujki i skieruj na niego głośnik.
3. Ponowne naciśnięcie przycisku START spowoduje uruchomienie trybu DRC. Dioda LED na czujce zacznie migać. Patrz rysunek 8.
4. Ustaw się możliwie daleko (maks. 9 m) od szyby, którą chcesz zabezpieczyć, i skieruj głośnik na czujkę. Patrz rysunek 9.

Zakres DRC obliczony przez czujkę zostanie wyświetlony w postaci liczby impulsów od 1 do 3.

5. Naciśnij przycisk DRC, aby wysłać sygnał DRC. Aby osiągnąć optymalne wyniki, zrób to od 2 do 10 razy z różnych kątów. Odebranie sygnału dioda LED potwierdzi mignięciem. Następnie dioda LED zacznie migotać. Zakres DRC obliczony przez czujkę zostanie wyświetlony w postaci liczby impulsów od 1 do 3. W przypadku zbyt słabych lub zbyt silnych sygnałów spoza zakresu kompensacji (co oznacza, że czujka jest zbyt blisko lub daleko od chronionego obiektu) czujka nie pokaże zasięgu DRC.
6. Naciśnij przycisk STOP z odległości 1 do 3 m od czujki, aby zakończyć procedurę DRC.

Jeśli zakres DRC zmierzony przez czujkę różni się od rzeczywistych ustawień przełącznika DIP, dioda LED będzie nadal migać od 1 do 3 razy, wskazując prawidłowy numer zakresu, który ma być ustawiony w czujce.

- Dioda LED miga 1 raz: ustaw strefę 1 (4 do 9 m)
- Dioda LED miga 2 razy: ustaw strefę 2 (2 do 4 m)
- Dioda LED miga 3 razy: ustaw strefę 3 (1 do 2 m)

## Ochrona kilku okien przez jedną czujkę

Czujka może zabezpieczyć kilka okien w jednym pomieszczeniu, o ile tylko znajdują się one w obszarze chronionym przez czujkę. Wykonaj oddzielne testy DRC dla każdego chronionego okna. Postępuj zgodnie z powyższą procedurą dla każdego okna. Czujkę należy ustawić na najniższy numer strefy, tj. najdalszą odległość.

## Limit czasu

Zarówno czujka GS960AM, jak i tester GS960-TR są wyposażone w funkcję limitu czasu. GS960AM zatrzyma tryb DRC, a GS960-TR wyłączy się, jeśli w ciągu 3 do 4 minut nie nastąpi żadna aktywność.

## Kontrola D/N (dzień/noc)

D/N umożliwia zdalne sterowanie sygnalizatorami alarmowymi czujki i zdalne zresetowanie urządzenia w okresie przejściowym DZIEŃ->NOC. Funkcja D/N zwiększa poziom ochrony, ponieważ umożliwia ukrycie sygnałów alarmowych w trybie NIGHT bez wpływu na funkcję przekaźnika.

## Test automatyczny

Za pomocą wewnętrznej procedury autotestu czujka stale sprawdza wszystkie istotne elementy odpowiedzialne za prawidłową detekcję sygnału stłuczenia szkła.

## Antymaskowanie

Aby przetestować antymaskowanie, wykonaj następujące kroki:

1. Włącz zasilanie. Uszczelnij dokładnie mikrofon materiałem elastycznym, takim jak plastelina, guma do żucia lub taśma izolacyjna.

Przekaźniki WŁAMANIE i BŁĄD otworzą się po maks. 180 s, sygnalizując maskowania mikrofonu.

2. Usuń materiał uszczelniający z mikrofonu. Przekaźniki zostaną zamknięte w czasie krótszym niż minuta.

## Zasady pracy diody LED podczas pracy czujki

Dioda LED może przyjąć następujące stany robocze:

- Miga od 1 do 3 razy po włączeniu zasilania: Wskaźnik ustawienia zakresu po włączeniu zasilania
- Nie miga: Stan normalny, brak alarmów
- Trwale włączona: Wykrycie włamania — jeśli czujka znajduje się w trybie Zatrask
- Trwale włączona z 1 zgaśnięciem raz na 3 sek: Wykryto maskowanie
- Trwale włączona z 2 zgaśnięciami raz na 3 sek: Niskie napięcie lub błąd autotestu
- Krótkie mrugnięcie: Ostrzeżenie antymaskingu — w pobliżu mikrofonu wykryto ciało obce

## Zasady pracy diody LED podczas współpracy detektora z testerem GS960-TR

W trakcie testu dioda LED może przyjąć następujące stany robocze:

- Migocze: W trybie testowym
- Migocze i miga: W trybie kalibracji
- Miga raz na 1,5 s: Potwierdza odebrany sygnał
- Powoli miga 1 raz co 2,5 s po kalibracji: Ustawienie zakresu 1 (4 do 9 m)
- Powoli miga 2 razy co 2,5 s po kalibracji: Ustawienie zakresu 2 (2 do 4 m)
- Powoli miga 3 razy co 2,5 s po kalibracji: Ustawienie zakresu 3 (1 do 2 m)

## Rozwiązywanie problemów

Czujka nie reaguje:

- Sprawdź napięcie i biegunowość

Dioda LED trwale włączona:

- Wyłącz czujkę na krótki okres

- Sprawdź, czy dioda LED jest w trybie zatrasku (DIP 1 włączony)

Dioda LED trwale włączona z 1 zgaśnięciem raz na 3 sek:

- Sprawdź, czy mikrofon nie jest zamaskowany ciałami obcymi

Dioda LED trwale włączona z 2 zgaśnięciami raz na 3 sek:

- Sprawdź napięcie zasilania — powinno być wyższe niż 7 V

Brak alarmu:

- Sprawdź okablowanie przekaźnika WŁAMANIE i BŁĄD
- Sprawdź okablowanie linii alarmowej

## Dane techniczne

Typ (grubość) chronionego szkła:	
Minimalna	Płaskie (4 mm)
Maksymalna	Laminowane P4 (4 + 4 mm)
Rozmiar chronionego szkła:	40 × 40 cm min.
Maks. zakres	Promień 9 m/165°
Ustawienie zasięgu	Strefa 1: 4 do 9 m Strefa 2 2 do 4 m Strefa 3 Od 1 do 2 m
Napięcie zasilające:	Od 7 do 30 V DC
Maksymalne napięcie tętnień	2 Vp-p przy 12 V, 4 Vp-p przy 24 V
Monitor napięcia	Sygnalizacja błędu przy napięciu <7 V
Pobór prądu, maks.	11,4 mA przy 12 V, 7,2 mA przy 24 V
Poziom sygnału D/N	DZIEŃ D/N otwarte lub <2,5 V, NOC: D/N > 2,5 V
Wyjście WŁAMANIE, wyjście BŁĄD	Przekaźniki
Wartość znamionowa styku przekaźnika WŁAMANIE i BŁĄD	50 mA, 50 V DC / szczytowe AC, $R_s \leq 30 \Omega$
Wartość znamionowa styku SABOTAŻ	50 mA, 50 V DC / szczytowe AC
Wskazanie włamania/ błędu	Dioda LED
Klasa środowiskowa EN 50130-5:2011, VdS 2110	Klasa I
Zakres temperatury pracy	+5 do 40°C
Zakres wilgotności względnej pracy	Maks. 93%
Materiał obudowy	Tworzywo ABS, biały
Wymiary (Sz x W x G):	68 x 109 x 40 mm
Klasa bezpieczeństwa	EN 50131-2-7-1:2012/A1:2013, stopień 3; VdS 2332, klasa B
Atesty	VdS: G118505
Akcesoria	Płyta rezystorów końca linii GS960-RB

## Informacje prawne

Producent	WPROWADZONE NA RYNEK PRZEZ: Carrier Fire & Security Americas Corporation Inc. 13995 Pasteur Blvd Palm Beach Gardens, FL 33418, USA AUTORYZOWANY PRZEDSTAWICIEL NA TERENIE UE: Carrier Fire & Security B.V. Kelvinstraat 7, 6003 DH Weert, Holandia
-----------	--

Ostrzeżenia i zastrzeżenia dotyczące produktu



TEN PRODUKT JEST PRZEZNACZONY DO SPRZEDAŻY I MONTAŻU PRZEZ WYKWALIFIKOWANYCH SPECJALISTÓW. CARRIER FIRE & SECURITY NIE UDZIELA ŻADNEJ GWARANCJI, ŻE JAKIKOLWIEK OSOBA LUB JAKIKOLWIEK PODMIOT NABYWAJĄCY JEJ PRODUKTY, W TYM „AUTORYZOWANI SPRZEDAWCY” ORAZ „AUTORYZOWANI DEALERZY”, SĄ PRAWIDŁOWO PRZESZKOLENI LUB DOŚWIADCZENI TAK, BY MOGLI PRAWIDŁOWO ZAMONTOWAĆ PRODUKTY ZABEZPIEZAJĄCE.

Więcej informacji o zastrzeżeniach dotyczących gwarancji oraz bezpieczeństwa produktów można przeczytać na stronie <https://firesecurityproducts.com/policy/product-warning/> lub po zeskanowaniu kodu QR.

Certyfikacja



Dyrektywy Unii Europejskiej

Carrier Fire & Security niniejszym deklaruje zgodność urządzenia z wymaganiami Dyrektywy 2014/30/EU. Więcej informacji na stronach [www.firesecurityproducts.com](http://www.firesecurityproducts.com) albo [www.aritech.com](http://www.aritech.com).

REACH

Produkt może zawierać substancje, które znajdują się na liście kandydackiej, w stężeniu powyżej 0,1% wag., zgodnie z ostatnio opublikowaną listą kandydacką na stronie internetowej ECHA.

Informacje na temat bezpiecznego użytkowania można znaleźć na stronie <https://firesecurityproducts.com/en/content/intrusi-on-intro>



2012/19/EU (dyrektywa WEEE): Na terenie Unii Europejskiej produktów oznaczonych tym znakiem nie wolno wyrzucać wraz z odpadami miejskimi. W celu zapewnienia prawidłowego recyklingu produkt należy oddać lokalnemu sprzedawcy lub przekazać do wyznaczonego punktu zbiórki. Aby uzyskać więcej informacji, patrz: [recyclethis.info](http://recyclethis.info)

## Informacje kontaktowe

[www.firesecurityproducts.com](http://www.firesecurityproducts.com) lub [www.aritech.com](http://www.aritech.com)

Informacje na temat pomocy technicznej można znaleźć na stronie [www.firesecurityproducts.com](http://www.firesecurityproducts.com)

## PT: Ficha de instalação

### Descrição

O GS960AM é um detetor acústico de quebra de vidros que emite um alarme quando vidro é partido por tentativas de intrusão através de janelas, portas e paredes envidraçadas.



O detetor tem por base tecnologia avançada de microcontroladores e está programado para considerar muitos fatores acústicos relevantes: a Digital Room Compensation (DRC). Isso faz com que o detetor seja capaz de distinguir entre uma quebra de vidro verdadeira e outros sons irrelevantes.

O detetor é para uso no interior. A distância de cobertura é de 1 a 9 m (ver a Figura 2). O ângulo de cobertura é de 165°, o que significa que um detetor pode proteger várias janelas na mesma sala. O detetor pode ser montado no teto ou numa parede com uma “linha de visão” livre para a janela a proteger.

O GS960AM está equipado com uma função AM, um relé separado, que emite um alarme no caso de sabotagem do microfone.

*O GS960AM está certificado de acordo com a norma EN 50131-2-7-1:2012, grau de segurança 3.*

**Figura 1: Disposição do detetor**

(1) Bloqueio da tampa	(4) Tampa
(2) Base	(5) Microfone
(3) LED	(6) Dispositivo de deteção de máscara

**Figura 4: Base do detetor**

(1) Revestimento do cabo “knock-out”	(5) Orifício de montagem 2
(2) Bloco de terminais	(6) Orifício de montagem 3
(3) Orifício de montagem 1	(7) Ranhuras para montagem dos ganchos da tampa
(4) Parafuso da tampa	

**Figura 5: Tampa**

(1) Bloqueio da tampa	(4) Interface de PC
(2) Pinos do bloco de terminais	(5) Interruptor DIP
(3) Interruptor tamper	(6) Ganchos que seguram a tampa na base

## Ligação a um loop de 24 horas

O detetor foi concebido para supervisão contínua e é extremamente resistente a diferentes distúrbios acústicos. Funcionará bem na maioria dos ambientes. No entanto, em salas com taxas muito altas de distúrbios, como em oficinas industriais e ginásios, recomenda-se testar o detetor durante 3 a 4 semanas antes de decidir usá-lo continuamente. Em casos raros, uma combinação de sons aleatórios pode acionar um alarme.

## Eventos sinalizados

O detetor possui dois relés e um micro-interruptor para sinalizar eventos detetados e processados para controlar o painel por ordem de prioridade, conforme os seguintes sinais:

- Quebra de vidro – sinalizada pelo relé de INTRUSÃO
- Baixa tensão de alimentação ou falha no autoteste – sinalizada por relé de FALHA
- Máscara – sinalizado por relé de INTRUSÃO e FALHA
- Sabotagem – sinalizada de forma independente pelo micro-interruptor TAMPER

Evento	Sinal enviado por relé ou micro-interruptor		
	Intrusão	Falha	Tamper
Sem estímulo	Fechado	Fechado	Fechado

Intrusão	ABERTO	Fechado	Fechado
Máscara	ABERTO	ABERTO	Fechado
Tensão de alimentação baixa	Fechado	ABERTO	Fechado
Falha de autoteste local	Fechado	ABERTO	Fechado
Tamper	Fechado	Fechado	ABERTO

## Ferramentas especiais

Na maioria das salas (por exemplo, escritórios) não são necessárias ferramentas especiais durante a instalação. Em salas com acústica complicada, recomenda-se a utilização do aparelho de teste GS960-TR. O GS960-TR também pode ser usado para teste de função e serviço de manutenção anual.

Consulte também “Verifique as configurações com o aparelho de teste GS960-TR” na página nº 35.

## Abertura do detetor

Ver a figura 3.

**Para abrir o detetor, siga estas etapas:**

1. Deslize a tampa de bloqueio para cima (Figura 3, item 1)
2. Solte o parafuso (item 2)
3. Puxe a tampa para abrir (item 3)

## Instruções de montagem

- O detetor deve ser instalado num teto ou numa parede oposta ao vidro a ser protegido.
- É necessário desimpedir a “linha de visão” entre o “microfone” do detetor e o vidro.
- A localização do detetor para montagem na parede ou no teto é mostrada na Figura 10.
  - A distância entre o vidro e o detetor deve ser de 1 a 9 m.
  - O detetor deve ser instalado no mínimo a 50 cm de um canto.
  - O detetor deve ser instalado no mínimo a 1 m do chão.
  - O detetor deve ser instalado no mínimo a 30 cm do teto (na parede).
- O detetor deve ser instalado numa superfície plana, desimpedida de objetos num raio de 50 cm do detetor.
- O detetor não deve ser instalado perto de saídas de ar ou de grandes obstáculos refletoras de som.
- Nunca monte o detetor nos cantos.

## Instalação

1. Escolha a melhor posição de montagem na parede ou no teto.
2. Solte o parafuso da tampa e remova a parte superior
3. Use a parte inferior como modelo e marque o local dos orifícios com uma caneta

4. Use uma broca de 2,5 mm para os parafusos autoperfurantes fornecidos. Se necessário, use buchas de parede
5. Se necessário, corte o “orifício de saída” marcado na parte de trás da base com um alicate
6. Puxe o cabo de fiação através do “orifício de saída” na placa inferior
7. Ligue os fios aos terminais de parafuso. Consulte Tabela abaixo para informação.
8. Use a abraçadeira fornecida para fixar o cabo ao detector.
9. Fixe o detector firmemente na base com os parafusos fornecidos.
10. Defina a faixa desejada, ou seja, a configuração de sensibilidade do detector, usando o interruptor DIP n.º 2 e 3. Consulte “Interruptor DIP” abaixo para mais pormenores.
11. Verifique as estruturas da janela e observe que tipo de vidro é usado e especialmente no painel mais próximo da sala.

**Tabela 1: Pinos de terminal**

Pino	Marcação	Função
1	(-)	Ligação à terra
2	(+)	Mais de 7 a 30 V CC
3	D/N	Controlo diurno e noturno do LED
4	INTRUSÃO	Saída de relé de INTRUSÃO C
5	INTRUSÃO	Saída de relé de INTRUSÃO NC
6	Sobresselente	Contato sobresselente (não ligado)
7	FAULT	Saída de relé de FALHA C
8	FAULT	Saída de relé de FALHA NC
9	Sobresselente	Contato sobresselente (não ligado)
10	TAMPER	Saída do interruptor de tamper C
11	TAMPER	Saída do interruptor de tamper NC
12	Sobresselente	Contato sobresselente (não ligado)

**Nota:** Pode usar o acessório adicional, a placa plug-in de resistência EOL GS960-RB, que permite integrar facilmente o GS960AM a um sistema Advisor Advanced existente sem o incómodo de adicionar resistências EOL.

## Interruptor DIP

As funções do interruptor DIP são descritas em Tabela 2 abaixo.

**Tabela 2: Funções do interruptor DIP**

DIP	Função	Definição			
		4 a 9 m Zona 1	2 a 4 m Zona 2	1 a 2 m Zona 3	
1	Modo de relé de INTRUSÃO	ON: Bloqueio	OFF: Automático		
2	Configuração de alcance	OFF	OFF	ON	ON
		OFF	ON	OFF	ON
3	Configuração de alcance	OFF	ON	OFF	ON

## Modo de relé de INTRUSÃO

- DIP 1 ON: O modo de relé de INTRUSÃO ligado significa que o relé de INTRUSÃO será bloqueado e será aberto em alarme.
- DIP 1 OFF: Modo de relé de INTRUSÃO desligado significa que o relé de INTRUSÃO será reinicializado automaticamente após 2 segundos em alarme.

## Alcance

As configurações de alcance do interruptor DIP são mostradas na Figura 6.

**Figura 6: Configurações de alcance do interruptor DIP**

- (1) 4 a 9 m, Zona 1: OFF, OFF
- (2) 2 a 4 m, Zona 2: OFF, ON ou ON, OFF
- (3) 1 a 2 m, Zona 3: ON, ON

## Configurações sugeridas do detector dependendo do design da janela e do tipo de vidro

Verifique as estruturas da janela e observe que tipo de vidro é usado e especialmente no painel mais próximo da sala.

- **Vidro simples** (float e temperado) – Coloque o detector à distância medida do vidro até ao detector.
- **Vidros duplos** (float e temperado). Se houver grandes perturbações nas imediações, defina o detector à distância medida do vidro até ao detector. Em distúrbios normais ou reduzidos – o detector deve ser definido na Zona 1.
- **Vidros duplos** onde o painel interno é coberto com **película de segurança** – Defina o detector na Zona 1 para além da distância medida.
- **Vidros triplos** (float e temperado) – Defina o detector na Zona 1 para além da distância medida.
- **Vidro laminado** – Defina o detector na Zona 1 para além da distância medida.

Design da janela	Tipo de vidro do painel dentro da sala	Alcance			
		1-2 m	2-4 m	4-9 m	
Vidro simples	Float e temperado	Zona 3	Zona 2	Zona 1	
Vidros duplos	Float e temperado	Distúrbios elevados	Zona 3	Zona 2	Zona 1
		Distúrbios reduzidos	Zona 1		
Vidros triplos	Float e temperado	Zona 1			
Vidros duplos com película de segurança	Float com película de segurança	Zona 1			
Simple e multi-vidraçado	Laminado	Zona 1			

## Fecho do detector

Para fechar o detector, siga estas etapas

1. Insira os ganchos da tampa nas ranhuras da base (Figura 7, item 1)

2. Feche a tampa (item 2)
3. Aperte o parafuso de bloqueio (item 3)
4. Deslize a tampa de bloqueio (item 4)

## Verifique as configurações com o aparelho de teste GS960-TR

Se o detetor estiver demasiado afastado ou demasiado perto do vidro, não responderá. No teste de DRC, o LED do detetor pisca 1, 2 ou 3 vezes para mostrar que está numa determinada zona. Se não piscar, deve ser escolhido um sítio melhor.

1. Coloque a tampa e certifique-se de que ela encaixa corretamente na base do detetor.
2. Ligue a fonte de alimentação. O LED indicará agora a sua configuração de alcance, piscando 1 a 3 vezes.
3. Use o GS960-TR para testar e calibrar o detetor para a posição ideal.

## Teste e calibragem

O aparelho de teste GS960-TR é uma ferramenta especialmente desenvolvida para calibrar e ajustar o detetor GS960AM para uma função otimizada na sala acústica – o procedimento DRC Digital Room Compensation. Ao testar as configurações do detetor, não é necessário abri-lo novamente, pois o aparelho de teste comunica com o detetor acusticamente. Nunca teste o GS960AM com uma tampa desmontada de uma base. Certifique-se de que a tampa está bem fixada.

---

**Cuidado:** Não use o aparelho de teste GS960-TR perto dos seus ouvidos, pois o aparelho de teste produz ruídos altos.

---

## Procedimento de compensação de sala digital

Prepare o detetor acústico para DRC, configurando a linha D/N (se usada) no modo DIA – a linha D/N deve ser deixada aberta ou Baixa.

1. Prima o botão START do aparelho de teste GS960-TR para ligá-lo. O LED verde acende.
2. Segure o aparelho de teste a 1 a 3 m do detetor e aponte o altifalante para ele.
3. Prima o botão START mais uma vez para iniciar o modo DRC. O LED no detetor começará a piscar. Ver a figura 8.
4. Afaste-se o máximo possível (máx. 9 m) do vidro a ser protegido e aponte o altifalante para o detetor. Ver a figura 9.

O alcance do DRC calculado pelo detetor será apresentado como um número de impulsos de 1 a 3.

5. Prima o botão DRC para enviar um sinal DRC. Faça isso 2 a 10 vezes a partir de diferentes ângulos da área de proteção para obter a capacidade ideal. O LED piscará, confirmando que recebeu o sinal. O LED começará a piscar e a cintilar. O alcance do DRC calculado pelo detetor será apresentado como um número de impulsos de 1 a 3. No caso de sinais demasiado fracos ou demasiado fortes fora do intervalo de compensação

(significa que o detetor está posicionado muito perto ou muito longe do objeto a ser protegido), o detetor não mostrará o intervalo do DRC.

6. Prima o botão STOP a uma distância de 1 a 3 m do detetor para finalizar o procedimento DRC.

Se o intervalo do DRC medida pelo detetor for diferente das configurações reais do interruptor DIP, o LED continuará a piscar de 1 a 3 vezes, mostrando o número correto do intervalo a ser definido no detetor.

- O LED pisca 1 vez: defina para a Zona 1 (4 a 9 m)
- O LED pisca 2 vezes: defina para a Zona 2 (2 a 4 m)
- O LED pisca 3 vezes: defina para a Zona 3 (1 a 2 m)

## Proteção de várias janelas por um detetor

O detetor pode proteger várias janelas numa sala, se as janelas estiverem dentro da área de cobertura. Faça um teste DRC independente para cada janela a ser protegida. Siga o procedimento acima para cada janela. O detetor deve ser ajustado para o número de zona inferior, que é o maior alcance do detetor.

## Fim de tempo

Tanto o detetor GS960AM quanto o aparelho de teste GS960-TR estão equipados com um recurso de tempo limite. O GS960AM para o modo DRC e o GS960-TR desliga a energia, se não tiver ocorrido qualquer atividade dentro de 3 a 4 minutos.

## Controlo D/N (dia/noite)

O D/N possibilita o controlo remoto das indicações de alarme dos detetores e a reinicialização remota durante a transição DIA->NOITE. O D/N aumenta a segurança do detetor, pois permite que as indicações de alarme sejam ocultadas no modo NOITE sem qualquer influência na função do relé.

## Autoteste

O detetor verifica continuamente todas as partes vitais responsáveis pela deteção adequada do sinal de quebra de vidro usando o procedimento de autoteste interno.

## Antimáscara

Para testar o sistema antimáscara, siga estas etapas:

1. Ligue a fonte de alimentação. Sele o microfone por completo com material elástico como plasticina, pastilha elástica ou fita isoladora.  
Os relés de INTRUSÃO e FALHA serão abertos após o máx. de 180 s de sinalização de máscara do microfone.
2. Remova o material de vedação do microfone. Os relés serão fechados em menos de um minuto.

## Compreender o LED quando o detetor está em operação

O LED pode ter os seguintes estados em operação:

- Pisca de 1 a 3 vezes quando ligado: Indicação da configuração de alcance após ligar

- Off (Desligado): Estado normal, sem alarmes
- Permanentemente em: Intrusão detetada – se o detetor estiver no modo de Bloqueio
- Permanentemente ligado com 1 dip a cada 3 s: Máscara detetada
- Permanentemente ligado com 2 dips a cada 3 s: Baixa tensão de alimentação ou falha no autoteste
- Piscar curto: Aviso antimáscara – objeto estranho nas proximidades do microfone

## Compreender o LED ao testar o detetor com o aparelho de teste GS960-TR

O LED pode ter os seguintes estados durante o teste:

- Cintila: No modo de teste
- Cintila e pisca: No modo de calibragem
- Piscar 1,5 s: Confirma o sinal recebido
- Piscar lentamente 1 vez a cada 2,5 s após a calibragem: Defina a configuração de alcance para a Zona 1 (4 a 9 m)
- Piscar lentamente 2 vezes a cada 2,5 s após a calibragem: Defina a configuração de alcance para a Zona 2 (2 a 4 m)
- Piscar lentamente 3 vezes a cada 2,5 s após a calibragem: Definir a configuração do alcance para a Zona 3 (1 a 2 m)

## Resolução de problemas

O detetor não responde:

- Verifique a tensão de alimentação e polaridade

LED permanentemente ligado:

- Desligue o detetor por um curto período
- Verifique se o LED está no modo de bloqueio (DIP 1 ON)

LED permanentemente ligado com 1 dip a cada 3 s:

- Verifique se o microfone não está mascarado com material estranho

LED permanentemente ligado com 2 dips a cada 3 s:

- Verifique a tensão de alimentação – deve ser superior a 7 V

Sem alarme:

- Verifique a fiação do relé de INTRUSÃO e FALHA
- Verifique a fiação do circuito de alarme

## Especificações

Tipo (espessura) do vidro protegido:

Mínimo	Float (4 mm)
Máxima	Laminado P4 (4 + 4 mm)
Tamanho do vidro protegido	40 × 40 cm mín.
Alcance máximo	9 m de raio/165°
Configuração de alcance	Zona 1: 4 a 9 m Zona 2: 2 a 4 m Zona 3: 1 a 2 m
Tensão de alimentação	7 a 30 V CC
Flutuação máx. da tensão	2 Vp-p a 12 V, 4 Vp-p a 24 V

Monitorização de tensão	Falha assinalada a <7 V
Consumo de corrente, máx.	11,4 mA a 12 V, 7,2 mA a 24 V
Níveis de sinal D/N	DIA: D/N aberto ou <2,5 V, NOITE: D/N > 2,5 V
Saída de INTRUSÃO, saída de FALHA	Relé
Capacidade do contato do relé de INTRUSÃO e FALHA	50 mA, 50 V CC/pico AC, Rs ≤ 30 Ω
Capacidade do contato do TAMPER	50 mA/50 V CC/pico AC
Indicação de intrusão/falha	LED
Classe ambiental EN 50130-5:2011, VdS 2110	Classe I
Alcance da Temp. operacional	+5 a 40°C
Alcance da humidade operacional	Máx. de 93% HR
Material da caixa	ABS de plástico branco
Dimensões (L x A x P)	68 x 109 x 40 mm
Grau de segurança	EN 50131-2-7-1:2012/A1:2013, Grau 3; VdS 2332, classe B
Aprovações	VdS: G118505
Acessório	Placa de resistência de encaixe EOL GS960-RB

## Informação reguladora

Fabricante	COLOCADO NO MERCADO POR: Carrier Fire & Security Americas Corporation Inc. 13995 Pasteur Blvd Palm Beach Gardens, FL 33418, USA  REPRESENTANTE EU AUTORIZADO: Carrier Fire & Security B.V. Kelvinstraat 7, 6003 DH Weert, Netherlands
------------	--

Avisos e isenções de responsabilidade dos produtos



ESTES PRODUTOS ESTÃO PREVISTOS PARA SEREM VENDIDOS E INSTALADOS POR PROFISSIONAIS QUALIFICADOS. A CARRIER FIRE & SECURITY NÃO PODE APRESENTAR QUALQUER GARANTIA DE QUE QUALQUER PESSOA OU ENTIDADE QUE COMPRE OS SEUS PRODUTOS, INCLUINDO QUALQUER "DISTRIBUIDOR AUTORIZADO" OU "REVENDEDOR AUTORIZADO", TEM FORMAÇÃO OU EXPERIÊNCIA ADEQUADA PARA INSTALAR CORRETAMENTE PRODUTOS RELACIONADOS COM A SEGURANÇA E A PROTEÇÃO CONTRA INCÊNDIOS.

Para mais informações sobre isenções de garantia e sobre a segurança dos produtos, consulte

<https://firesecurityproducts.com/policy/product-warning/> ou faça a leitura do código QR.

Certificação

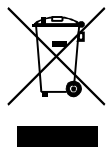


Directivas da União Europeia  
A Carrier Fire & Security declara que estes dispositivo se encontra em conformidade com os requisitos e disposições aplicáveis da Diretiva 2014/30/EU. Para mais informações consulte [www.firesecurityproducts.com](http://www.firesecurityproducts.com) ou [www.aritech.com](http://www.aritech.com).

## REACH

O produto pode conter substâncias da Lista de Candidatos de concentração acima de 0.1% w/w, de acordo com a lista de Candidatos publicada recentemente no site ECHA.

Informações de utilização segura podem ser encontradas em <https://firesecurityproducts.com/en/content/intrusion-intro>



2012/19/EU (directiva WEEE, sobre Resíduos de Equipamentos Eléctricos e Electrónicos): Os produtos marcados com este símbolo não podem ser eliminados como lixo municipal não separado na União Europeia. Para uma reciclagem adequada, devolva este equipamento ao fornecedor local aquando da compra de um novo equipamento equivalente, ou coloque-o num ponto de recolha designado para o efeito. Para mais informações, consulte: [recyclethis.info](http://recyclethis.info)

## Informação de contacto

[www.firesecurityproducts.com](http://www.firesecurityproducts.com) ou [www.aritech.com](http://www.aritech.com)

Para assistência ao cliente, consulte [www.firesecurityproducts.com](http://www.firesecurityproducts.com)

## SV: Installationsanvisning

### Beskrivning

GS960AM är en akustisk glaskross detektor som ger larm när glas krossas vid ett inbrotts försök på t ex fönster, dörrar med glas samt glaspartier.

Detektorn är baserad på avancerad mikroprocessorteknik och är programmerad för att ta hänsyn till en mängd olika faktorer i rummets akustik DRC (Digital Room Compensation). Detta gör det möjligt för detektorn att skilja äkta glaskross från andra ljud och störningar.

Detektorn är avsedd för inomhusbruk. Detekteringsavståndet är 1–9 meter (se Figur 2). Detekteringsvinkel är 165 grader, vilket betyder att en detektor kan skydda flera glasytor i samma rum. Detektorn kan monteras i taket eller på en vägg med "fri" sikt mot glaset som skall skyddas. Notera att det är viktigt vid en årlig revision av anläggningen att kontrollera att detektorn har "fri" sikt.

GS960AM är utrustad med AM funktion med ett separat relä som ger larm vid sabotage av mikrofon och övertäckning.

*GS960AM testad av VdS enligt EN 50131-2-7-1:2012, Grad 3.*

#### Figur 1: Detektor

- |                    |               |
|--------------------|---------------|
| (1) Lock för skruv | (4) Front     |
| (2) Botten         | (5) Mikrofon  |
| (3) LED            | (6) AM-område |

#### Figur 4: Botten

- |                             |                               |
|-----------------------------|-------------------------------|
| (1) Kabelingång "knock-out" | (5) Monteringshål 2           |
| (2) Anslutningsterminaler   | (6) Monteringshål 3           |
| (3) Monteringshål 1         | (7) Fästen för frontens hakar |
| (4) Skruv till fronten      |                               |

#### Figur 5: Front

- |                       |  |
|-----------------------|--|
| (1) Frontskruvhål     | (4) PC interface                           |
| (2) Anslutningspinnar | (5) DIP switch                             |
| (3) Öppningskontakt   | (6) Hakar för fixering av front mot sockel |

## Anslutning till en 24-timmars sektion

Detektorn är konstruerad för kontinuerlig övervakning och har gjorts extra tålig mot akustiska störningar av olika slag. Den fungerar väl i de flesta miljöer. I sällsynta fall kan en kombination av höga slumpmässiga ljud utlösa larm. I mycket bullerstörda lokaler som t ex gym eller fabrikslokaler, rekommenderar vi att detektorn testats 3–4 veckor innan man tar beslut om att använda den för kontinuerlig bevakning.

## Förklaringar av relä funktionerna

Detektorn har två reläer och en mikroswitch som ger information till centralapparaten i prioriterad ordning enligt följande:

- Glaskross — LARM relä öppnar
- Låg spänning, självtest fel — FEL-relä öppnar
- Maskning (AM) — LARM och FEL-relä öppnar
- Sabotage — aktiveras av öppningskontakten

Händelser	Signal från relä eller micro-switch		
	Larmrelä	Felrelä	Sabotage
Ingen aktivering	Sluten	Sluten	Sluten
Inbrott	ÖPPEN	Sluten	Sluten
Masking (AM)	ÖPPEN	ÖPPEN	Sluten
Låg spänning	Sluten	ÖPPEN	Sluten
Självtest av detektorn	Sluten	ÖPPEN	Sluten
Sabotage	Sluten	Sluten	ÖPPEN

## Användning av testaren

I de flesta lugna rum/utrymmen som t ex kontor, behöver man inte använda testaren och detektorn kan vara inställd på zon 1. I rum/utrymmen med komplicerad akustik rekommenderar vi användning av GS960-TR testaren. Vid årliga revisioner är GS960-TR mycket användbar då man kan fjärrstyra reläfunktionen och kontrollera inställningen utan att öppna detektorn.

Se även "Kontrollera inställningarna med GS960-TR testinstrument" på sidan 39.

## Öppna upp detektorn

För att öppna detektorn, följ dessa steg:

1. Skjut locket uppåt (Figur 3, punkt 1)
2. Lossa skruven (punkt 2)
3. Lyft ut fronten (punkt 3)

## Monterings anvisning

Detektorn skall monteras på vägg eller i tak och riktad mot glaset som skall bevakas.

- Fri sikt mellan detektorn och glaset som skall bevakas är helt nödvändigt för en bra funktion.
- Deektorplacering för vägg eller takmontering visas i Figur 10.
  - Avståndet mellan glaset och detektorn skall vara 1–9 m.

- Detektorn skall monteras minst 50 cm från ett hörn.
- Detektorn skall monteras minst 1 m över golvet.
- Detektorn skall monteras minst 30 cm från taket (vid montering på vägg).
- Detektorn skall monteras på plant underlag, som är fritt från föremål i en radie av 50 cm från detektorn.
- Detektorn skall inte monteras i närheten av ventilation eller stora ljudreflekterande föremål.
- Montera aldrig detektorn i hörn.

## Installation

- Välj ut den bästa platsen för montering på vägg eller i tak.
- Lossa frontskruven och avlägsna fronten.
- Använd bakstycket som bormall och markera ut hålen med en penna.
- Använd en 2,5 mm borrhål för medföljande skruvar eller annan lämplig skruv och plugg.
- Om så behövs slå ut kabelingången med lämpligt verktyg.
- Dra in kabeln genom hålet i sockeln.
- Anslut kablarna till skruvterminalerna. Se Tabell nedan för ytterligare information.
- Använd medföljande kabelstrap för att fixera/avlasta anslutningskabeln i detektorn.
- Montera varsamt detektor fronten i sockeln och skruva fast fronten med medföljande skruv.
- Ställ in av önskat avstånd, genom att förändra detektorns känslighet, använd DIP switch nr. 2 and 3. Se "DIP-switchen" nedan för ytterligare information.
- Kontrollera fönstrens konstruktion och typ av glas notera vilken typ av glass det är i det inre glaset.

Tabell 1: Anslutningspinnar

Pin	Märkning	Funktion
1	(-)	Minus
2	(+)	Plus 7 till 30 V DC
3	D/N	Dag och Natt kontroll av LE
4	INTRUSION	Larmreläutgång C
5	INTRUSION	Larmreläutgång NC
6	Spare	Ledig (fri kontakt)
7	FAULT	Felreläutgång C
8	FAULT	Felreläutgång NC
9	Spare	Ledig (fri kontakt)
10	TAMPER	Sabotagekontakt C
11	TAMPER	Sabotagekontakt NC
12	Spare	Ledig (fri kontakt)

**OBS:** Tillbehöret GS960-RB, modul med EOL-motstånd, kan användas i GS960AM för enkel inkoppling till Advisor Advanced.

## DIP-switchen

DIP-switchens funktion finns beskriven i Tabell 2 nedan.

Tabell 2: DIP-switchens funktion

DIP	Funktion	Inställning			
		ON: Latch		OFF: Auto	
1	LARM-reläinställning				
2	Avståndsställning	4 till 9 m Zon1	2 till 4 m Zon 2	1 till 2 m Zon 3	
		OFF	OFF	ON	ON
3	Avståndsställning	OFF	ON	OFF	ON

### LARM-reläinställning

- DIP1=ON: Innebär att LARM-relä kommer att öppna vid larm och vara öppet tills återställning sker.
- DIP1=OFF: Innebär att LARM-relä öppnar i ca 2 sekunder vid larm och därefter sluts.

### Avståndsställning

DIP-switchens inställningar visas i Figur 6.

Figur 6: DIP-switch inställningar

- 4 till 9 m, Zon 1: OFF, OFF
- 2 till 4 m, Zon 2: OFF, ON, or ON, OFF
- 1 till 2 m, Zon 3: ON, ON

## Rekommenderade inställningar av detektorn beroende på konstruktionen och typ av glas

Kontrollera glasets konstruktion och vilken typ av glas i denna applikation speciellt viktigt är insidan av rummet.

- **Enkelglas** (planglas & härdat) – Ställ in detektorn enligt uppmätt avstånd från glas till detektorn.
- **Dubbelglas** (planglas & härdat). Ställ in detektorn efter avståndet mellan fönster och detektorn vid hög ljudnivå (störningar) i omgivningen. Vid normal ljudnivå ställ in detektorn på zon 1\* (4–9 m).
- **Dubbelglas** när det inre glaset är täckt av **säkerhetsfilm**. Ställ in detektorn på zon 1\* (4–9 m) oavsett uppmätt avstånd till fönstret
- **Trippelglas** (planglas & härdat) ställ in detektorn på zon 1 (4–9 m) oavsett uppmätt avstånd till fönstret.
- **Laminerat glas** ställ in detektorn på zon 1\* (4–9 m) oavsett uppmätt avstånd till fönstret.

Fönster-design	Typ av glas i den inre rutan	Avstånd			
		1–2 m	2–4 m	4–9 m	
Enkla glasrutor	Standard planglas och härdat glas	Zon 3	Zon 2	Zon 1	
Dubbla glasrutor	Standard planglas och härdat glas	Höga störningar	Zon 3	Zon 2	Zon 1
		Låga störningar	Zon 1		
Treglasrutor	Standard planglas och härdat glas	Zon 1			
Dubbla glasrutor med säkerhetsfilm	Standardglas med säkerhetsfilm på inre glaset	Zon 1			
Laminerat glas	Laminerat glas	Zon 1			

## Stänga detektorn

För att stänga detektorn, följ dessa steg:

1. Sätt in lockets i botten hållare för hakarna (Figur 7, punkt 1)
2. Stäng locket tills det klickar (punkt 2)
3. Skruva åt fästskruven (punkt 3)
4. Skjut över täcklocket (punkt 4)

## Kontrollera inställningarna med GS960-TR testinstrument

Om detektorn är placerad för långt eller för nära glaset, kommer den inte reagera. Vid DRC testning kommer lysdioden på detektorn att blinka 1, 2 eller 3 gånger för att visa vilken Zon som är den bästa inställningen. Om den inte blinkar måste den placeras på ett bättre ställe.

1. Montera på locket och se till att krokarna fäster ordentligt i lockets hållare.
2. Slå på spänningen till detektorn, LED kommer nu att indikera den inställning som den har genom att 1 till 3 blinkningar.
3. Använd GS960-TR för att testa och kalibrera detektorn för bästa inställning. Se dess handhavandeinstruktion.

## Test och kalibrering

GS960-TR är ett testverktyg som tillverkas speciellt för att kalibrera och ställa in detektorn till bästa möjliga funktion. När testning av detektorns inställningar görs behöver man inte öppna detektorn för GS960-TR kommunicerar med detektorn via akustiska signaler.

Utför aldrig testerna på GS960AM med locket av. Se till att lock och sockel är korrekt monterat.

---

**Varning!** Använd aldrig GS960-TR i omedelbar närhet av öron då testaren avger starka högfrekventa ljud. Skydda hörseln med hörselskydd.

---

## Digital Room Compensation proceduren

Förbered den akustiska detektorn för DRC genom att ställa in D/N-ingången (om den används) i DAG-läge: D/N-linjen ska lämnas öppen eller låg.

1. Tryck på START-knappen på GS960-TR-testaren för att sätta på strömmen. Grön LED lyser.
2. Håll testaren 1 till 3 m från detektorn och rikta högtalaren mot den.
3. Tryck en gång till på START-knappen för att starta DRC-läget. Lysdioden på detektorn börjar blinka. Se Figur 8.
4. Gå till det längsta avståndet (max 9 m) från glaset som ska skyddas och rikta högtalaren mot detektorn. Se Figur 9.

DRC-området beräknat av detektorn kommer att visas som ett antal pulser från 1 till 3.

5. Tryck på DRC-knappen för att skicka ut en DRC-signal. Gör detta 2 till 10 gånger från olika vinklar av skyddsområdet för att uppnå bästa effekt. Lysdioden blinkar och bekräftar att den har tagit emot signalen. Lysdioden börjar då blinka och flimra. DRC-området beräknat av detektorn kommer att visas som 1 till 3 blinkande pulser. Vid alltför svaga eller förstärka signaler (innebär att detektorn placeras för nära eller för långt ifrån objektet som ska skyddas) kommer detektorn då inte att visa DRC-området utan enbart snabba blinkningar.
6. Tryck på STOP-knappen från ett avstånd på 1 till 3 m från detektorn för att avsluta DRC-proceduren.

Om DRC-området som mätts av detektorn skiljer sig från de faktiska inställningarna för DIP-omkopplaren, fortsätter lysdioden att blinka 1 till 3 gånger och visar det rätta intervallet som ska ställas in i detektorn.

- Lysdioden blinkar 1 gång: Ställ in till zon 1 (4 till 9 m)
- Lysdioden blinkar 2 gånger: Ställ in till zon 2 (2 till 4 m)
- Lysdioden blinkar 3 gånger: Ställ in till zon 3 (1 till 2 m)

## Skydd av flera fönster med samma detektor

Detektorn kan skydda flera fönster i samma rum om glasytorna ligger inom detektorns täckningsområde. Utför oberoende DRC test för varje fönster som skall skyddas. Följ proceduren som beskrivs ovan för varje fönster. Detektorn skall ställas in på längsta zon som indikeras av detektorn.

## Timeout

Både Detektorn och GS960-TR har tidsstyrda funktioner, som innebär att detektorn avbryter sin DRC inställning och att GS960-TR stängs av efter ca 3 till 4 minuter om ingen aktivitet sker.

## D/N kontroll (Day/Night)

D/N gör det möjligt att fjärrkontrollera detektorernas larmindikering. Den kan också återställa detektorns relä och larmindikeringar samt se vilken detektor som först löst larm i ett antal sammankopplade detektorer. D/N ökar säkerheten genom att larmindikeringarna kan döljas utan att reläfunktionen påverkas.

## Självtest

Detektorn övervakar kontinuerligt samtliga kritiska komponenter som har avgörande betydelse för att detektering av glaskross skall fungera.

## Anti-masking

Test av AM-systemet:

- Slå på spänningen, vänta ca 1 minut. Täck över mikrofonen med plast eller dylikt.

LARM- och FEL-reläet kommer att öppna efter max 180 s och indikera maskning av mikrofonen.

- Avlägsna materialet och reläerna återgår efter ca 1 minut.

## Förklaring av lysdiodens (LED) funktion när detektorn är aktiv

Detektorns LED kan indikera följande status i drift:

- Blinkar 1–3 gånger när spänning ansluts: Visar känslighetsinställningen
- Släckt: Normalt, inget larm
- Ständigt lysande: Larm detekterad, när detektorn är inställd för LATCH med DIP 1
- Lyser med 1 dipp var 3:e s: Maskering detekterad
- Lyser med 2 dippar var 3:e s: Låg spänning eller självtestfel
- Kort blink: Antimask varning, främmande objekt nära mikrofon

## Förklaring av lysdiodens (led) funktion när detektorn testas med GS960-TR och är i kalibreringsläge

Detektorns LED kan indikera följande status i test:

- Flimrar snabbt: Testläge
- Flimrar och blinkar: Kalibreringsläge
- Blinkar 1,5 s: Bekräftar mottagen signal
- Blinkar långsamt efter kalibrering 1 gg var 3:e s: Ställ in känsligheten till Zon 1 (4–9 m)
- Blinkar långsamt efter kalibrering 2 ggr var 3:e s: Ställ in känsligheten till Zon 2 (2–4 m)
- Blinkar långsamt efter kalibrering 3 gg var 3:e s: Ställ in känsligheten till Zon 3 (1–2 m)

## Fel sökning

Detektorn reagerar inte:

- Kontrollera spänning och polaritet

LED lyser konstant:

- Slå ifrån detektorn en kort stund
- Kontrollera om LED står i latching läge (DIP1=ON)

LED lyser konstant med 1 dipp per 3 s:

- Kontrollera om mikrofonen är maskerad med främmande material

LED lyser konstant med 2 dippar per 3 s:

- Kontrollera matningsspänningen — måste vara högre än 7 V

Löser inte larm:

- Kontrollera anslutningen till LARM- och FEL-relä
- Kontrollera larmslingan

## Specifikationer

Typisk tjocklek av glass om skall skyddas:

Min	Planglas (4 mm)
Max	Laminerat P4 (4 + 4 mm)

Glasstorlek	min 40 × 40 cm
Max avstånd	9 m se avståndsdiagrammet
Avståndsställningar	Zon 1 = 4–9 m Zon 2 = 2–4 m Zon 3 = 1–2 m
Matningsspänning	7 till 30 V, DC
Max. rippel	2 Vpp vid 12 V, 4 Vpp vid 24 V
Lågspänningslarm	Felsignal vid < 7 V
Strömförbrukning, max	11,4 mA @ 12 V, 7,2 mA @ 24 V
D/N signal nivå	DAY = D/N öppen eller < 2.5 V, NIGHT = D/N > 2.5 V
LARM-utgång, FEL-utgång	Relä, 50 mA, 50 V DC/peak AC, Rs ≤ 30 Ω
SABOTAGE-kontakt	50 mA/50 V DC/peak AC
Indikering av Larm/FEL	LED
Miljöklass EN 50130-5:2011, VdS 2110	Class I
Arbetstemperatur	+5 till 40°C
Luftfuktighet	max. 93% RH
Kapsling	ABS plast, vit
Dimensioner [BxHxD]	68 x 109 x 40 mm
Testad av VdS enligt följande standard	EN 50131-2-7-1:2012/ A1:2013, Grade 3; SSF 1014-4; VdS 2332, Klasse B
Godkännande	VdS: G118505
Tillbehör	GS960-RB, plug-in EOL-modul

## Information om regler och föreskrifter

Tillverkare	SLÄPPT PÅ MARKNADEN AV: Carrier Fire & Security Americas Corporation Inc. 13995 Pasteur Blvd Palm Beach Gardens, FL 33418, USA  AUKTORISERAD EU-REPRESENTANT: Carrier Fire & Security B.V. Kelvinstraat 7, 6003 DH Weert, Netherlands/Holland
-------------	---

Produktvarningar och friskrivningar	DESSA PRODUKTER ÄR AVSEDDA FÖR FÖRSÄLJNING TILL OCH INSTALLATION AV BEHÖRIG PERSONAL. CARRIER FIRE & SECURITY KAN INTE GARANTERA ATT EN PERSON ELLER JURIDISK PERSON SOM KÖPER DESS PRODUKTER, INKLUSIVE "KVALIFICERAD FÖRSÄLJARE" ELLER "ÅTERFÖRSÄLJARE", ÄR ORDENTLIGT UTBILDAD ELLER HAR ERFARENHET AV ATT INSTALLERA BRAND- OCH SÄKERHETSRELATERADE PRODUKTER.
-------------------------------------	--

För mer information om garantifriskrivningar och produktsäkerhet, se <https://firesecurityproducts.com/policy/product-warning/> eller skanna QR-koden.

Certifiering	
--------------	--

EU-direktiv	Carrier Fire & Security meddelar harmed att denna product överinstämmer med med tillämpliga krav och bestämmelser för Directive 2014/30/EU. För mer information: <a href="http://www.firesecurityproducts.com">www.firesecurityproducts.com</a> eller <a href="http://www.aritech.com">www.aritech.com</a> .
-------------	--



## REACH

Produkten kan innehålla ämnen som finns i Kandidatförteckningen i en koncentration av 0,1% w/w, per den senast listade kandidatförteckningen på ECHA:s webbplats.

Information om säker användning finns på <https://firesecurityproducts.com/en/content/intrusion-intro>



2012/19/EU (WEEE): Produkter märkta med denna symbol får inte kastas i allmänna sophanteringssystem inom den europeiska unionen. För korrekt återvinning av utrustningen skall den returneras din lokala återförsäljare vid köp av liknande ny utrustning eller lämnas till en därför avsedd deponering. För mer information, se: [recyclethis.info](http://recyclethis.info)

---

## Kontaktuppgifter

[www.firesecurityproducts.com](http://www.firesecurityproducts.com) eller [www.aritech.com](http://www.aritech.com)

Kundsupport finns på [www.firesecurityproducts.com](http://www.firesecurityproducts.com)

