

CL(T,R)VE(1,2)COAX[POE][/M]



The ComNet™ CL(T,R)VE(1,2)COAX[POE][/M] is a communications link that combines composite analog baseband video and 10/100T(X) Ethernet on a single RG59 coaxial cable and transmits it up to 500 meters. The device is particularly suited to applications where the addition of IP Video to an existing analog video system is required. The CLTVE1COAXPOE/M model can provide power to the IP device via PoE.

FEATURES

- › Simultaneous transmission of IP video, and composite analog video up to 500m over RG59 coaxial cable
- › Proprietary adaptive analog equalizer for extending the reach of composite analog video
- › Full-duplex digital communications
- › Continuous Transmitter to Receiver Ethernet throughput up to 36Mbps
- › Continuous Receiver to Transmitter Ethernet throughput up to 4Mbps
- › Single-Channel Transmitter with optional IEEE 802.3at PoE power capability from 24VAC
- › Single or Dual Channel Receiver

SPECIFICATIONS

Video

Input Signal	1V pk-pk 75Ω
Overload	>1.5V pk-pk
Bandwidth	5 Hz - 6 MHz
Diff. Gain Error	<2%
Diff. Phase Error	<0.7°
Tilt	<1%
Signal-to-Noise Ratio	67 dB
Max RG-59 Distance	500m (1,640ft)

Ethernet

Interface	10/100BASE-T(X) Ethernet, RJ-45
Wire Type	4-pair CAT5 or better
Data Rate	36MBps Downlink, 4MBps Uplink
PoE	30W IEEE802.3at

Power

Operating Voltage Range	CL(T,R)VE1COAX/M and CLTVE1COAXPOE/M: 12 to 36 VDC or 24 VAC CLRVE(1,2)COAX: 9 to 18 VDC
Power Consumption	CL(T,R)VE1COAX/M and CLTVE1COAXPOE/M: 2W ¹ CLRVE1COAX: 2W CLRVE2COAX: 4W

Electrical & Mechanical

Overload Protection Circuit Board	Automatic Resettable Solid-State Current Limiters Meets IPC Standard
Size (L × W × H):	
CL(T,R)VE1COAX/M:	4.1 × 3.7 × 1.1 in. (10.4 × 9.4 × 2.8 cm)
CLTVE1COAXPOE/M:	4.1 × 3.7 × 2.2 in. (10.4 × 9.4 × 5.6 cm)
CLRVE(1,2)COAX:	6.1 × 5.3 × 1.1 in. (15.5 × 13.5 × 2.8 cm)
Shipping Weight:	<2 lb./0.9 kg

Environmental

MTBF	>100,000 hours
Operating Temp	-40° C to +75° C
Storage Temp	-40° C to +85° C
Relative Humidity	5% to 95% (non-condensing) ²

[1] Power consumption does not include that of Powered Device(s) (PD)

NOTE: In a continuing effort to improve and advance technology, product specifications are subject to change without notice.

AGENCY COMPLIANCE

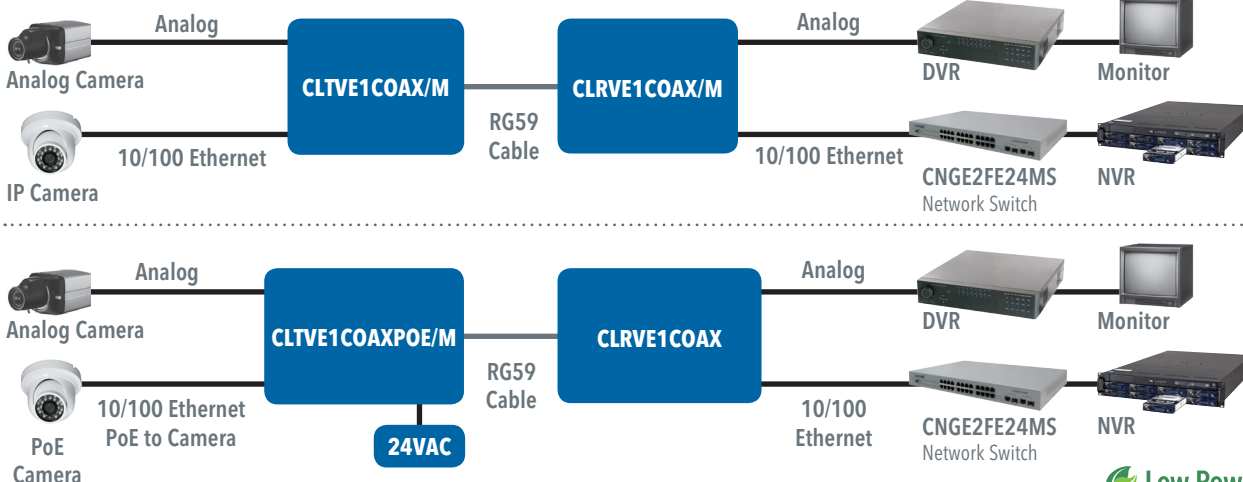


MADE IN THE USA

ORDERING INFORMATION

Part Number	Description
CLTVE1COAX/M	Medium Size Surface Mount Analog and IP Video over COAX Transmitter
CLTVE1COAXPOE/M	Medium Size Surface Mount Analog and IP Video over COAX Transmitter with POE
CLRVE1COAX/M	Medium Size Surface Mount Analog and IP Video over COAX Receiver
CLRVE1COAX	ComFit 1 Channel Analog and IP Video over COAX Receiver
CLRVE2COAX	ComFit 2 Channel Analog and IP Video over COAX Receiver
Included Accessories	DC Plug-in Power Supply, 90-264 VAC, 50-60 Hz (Included)
Options	24VAC, 3A Power Supply (for use with CLTVE1COAXPOE/M model) [2] Add suffix 'C' for Conformally Coated Circuit Boards to extend to condensation conditions (Extra charge, consult factory) DIN-Rail Mounting Adaptor Plate Kit - With Mounting Hardware (Optional, order model DINBKT1)

TYPICAL APPLICATION



Low Power Consumption