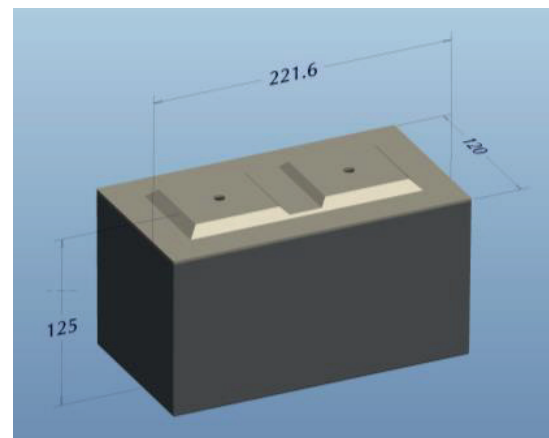


ZINC AIR BATTERY MC-ZA400

DIMENSIONS [mm]

DIM	MAX [mm]
A (Length)	125
B (Height)	120
C (Width)	221.6

ALKALINE BATTERY



SPECIFICATION

System	ZINC / KOH / AIR with 0% Hg, 0% Cd
Nominal voltage	7.5 V
Average weight	5,65 kg
Case material	Polystyrene
Date code	Each battery carries an expire date code for 12 months (battery manufactured in March 2014 carries an expire date 03-16 for March 2016)
Shelf life	24 months
Operating temperatures	-20°C to + 45°C
Applications	All electronic devices

PERFORMANCE SPECIFICATIONS

Minimum specifications at 20°C:

Discharge conditions		End-point voltage 4.5 V			Capacity and Energy after 12 months on shelves
Daily period	El. current	Service life	Capacity	Energy	
24 h	50 mA	7800 h	390 Ah	2511 Wh	At least 80% of here declared values
24 h	100 mA	3700 h	370 Ah	2380 Wh	

Average specifications at 20°C:

Discharge conditions		End-point voltage 4.5 V			Capacity and Energy after 12 months on shelves
Daily period	El. current	Service life	Capacity	Energy	
24 h	50 mA	8000 h	400 Ah	2600 Wh	At least 80% of here declared values
24 h	100 mA	3850 h	385 Ah	2479 Wh	



AVERAGE DISCHARGE GRAPH

